

shepherd[®]
caster corporation



innovation in motion

About Shepherd

Promise to Our Customers

Shepherd Caster Corporation will provide mobility solutions that meet our customers' needs through a combination of design excellence, quality manufacturing, global sourcing, and environmental responsibility. We are committed to the continued success of our customers, our employees and our communities. When you purchase a Shepherd Caster it's a matter of pride for us and trust for you.

Who We Are

Shepherd Caster Corporation is a leading designer and manufacturer of cutting edge mobility solutions for a variety of OEM markets. For over 50 years we have prided ourselves on responding to our customers' needs with outstanding quality, on time delivery, and excellent value at competitive prices.

Our casters, found throughout a variety of industries including medical, store fixtures, electronic equipment, material handling and institutional, have long been a benchmark for quality and design in the industry.

We have an experienced sales force and international distributor network ready to assist you in finding the caster that is best for your mobility needs. If the right caster is not available among our thousands of standard products, we have the design expertise, manufacturing knowledge, and capability to create a custom solution to meet your needs.

Shepherd Caster Corporation is an affiliate of the Colson Group, Inc. and a Colson Associates Company. Colson Associates is an international association of autonomous manufacturing and service companies. The Colson Group, Inc. and its affiliates manufacture and market casters, wheels and related products. Together these companies are the world leader in the production of light-duty to heavy-duty casters. They operate 23 plants in 11 countries.

History

In 1945 George Shepherd had a problem. While playing bridge with his friends and family, he found it difficult to get comfortable while sitting. The chairs in those days were not designed for moving on carpeting. He set out to design a chair with casters. After many years of designing, prototyping, and testing, the original Shepherd Planet Ball Caster was born. This began a legacy of well-engineered, high-quality Shepherd casters.

In 1976, the first die-cast twin wheel caster, the Pacer, was put into production at Shepherd. This product allowed us to expand our market presence beyond home furnishings and into the growing office seating market.

As mobility became increasingly important in everyday life, we continued to expand into light industrial, store fixture, and appliance markets with several lines of single wheel casters. From there our product line has further expanded to include casters for the medical and food service marketplace.

In 2001 Shepherd purchased Bassick Casters to expand into the business machine, material handling, and MRO markets.

Today, along with many other new and innovative designs that have been developed for customers, all of these casters are still in production at Shepherd Caster Corporation.



Registered to ISO:9001:2000
Certificate Number: #04103



Select Shepherd and Bassick casters are listed by NSF International



Connecting People · Shaping Retail



About Shepherd

Engineering and Design

Over 50 years ago George Shepherd developed the original ball caster as a creative solution to a mobility problem. Today our design engineers continue to use that same creativity and innovative drive to help customers, all over the world, improve the mobility of their own products.



Successful product development begins with good design. Our product engineers collaborate with the customer to fully understand their needs. The team then creates an initial product design, taking into account all durability, environmental and aesthetic parameters. All designs are done three dimensionally for ease of viewing and structural analysis. Once this process is complete, the product is prototyped for additional testing and evaluation. Utilizing electronic design techniques, the latest materials and prototyping technologies allows us to quickly and cost effectively develop products that fit the customers needs. The process also allows our customer to fully incorporate the caster into their design

Quality



All of our casters undergo a full battery of tests to confirm they meet our stringent quality standards. As a proud member of the Institute of Caster and Wheel Manufacturers (ICWM), we pride ourselves in continually ensuring that our designs meet or exceed industry standards. Our in-house testing capabilities include:

- Life time durability testing
- Impact testing
- Static load testing
- Brake durability and efficiency testing
- Rollability testing
- Hardness and durometer testing
- Comparative testing



Service

Customer expectations and requirements are met through a combined success of Shepherd Caster Corporation's teamwork, philosophy, advanced technology plan, and a strong commitment to excellence in design and manufacturing. Each region in the country is serviced by an experienced regional sales manager and inside sales coordinator – ensuring a familiar voice each time you need assistance.

Supporting this team is a group of engineering, manufacturing, and marketing professionals. Whether its creating a dynamic website with caster selection tools or introducing the "Faster Caster Program" to speed product delivery, we constantly strive for ways to improve your caster buying experience.



Manufacturing

With Manufacturing Facilities worldwide, Shepherd takes a Global approach to manufacturing casters. Many of our designs can be manufactured in the global region that best supports our customer. At Shepherd, we constantly strive to set the standards in caster manufacturing and automation. Our manufacturing capabilities include cold heading, steel stamping, die casting, injection molding and automated assembly.



The Shepherd Advantage

For help selecting the right caster for your mobility needs, browse our website or give us a call ...

www.shepherdcasters.com



... or contact your regional representative

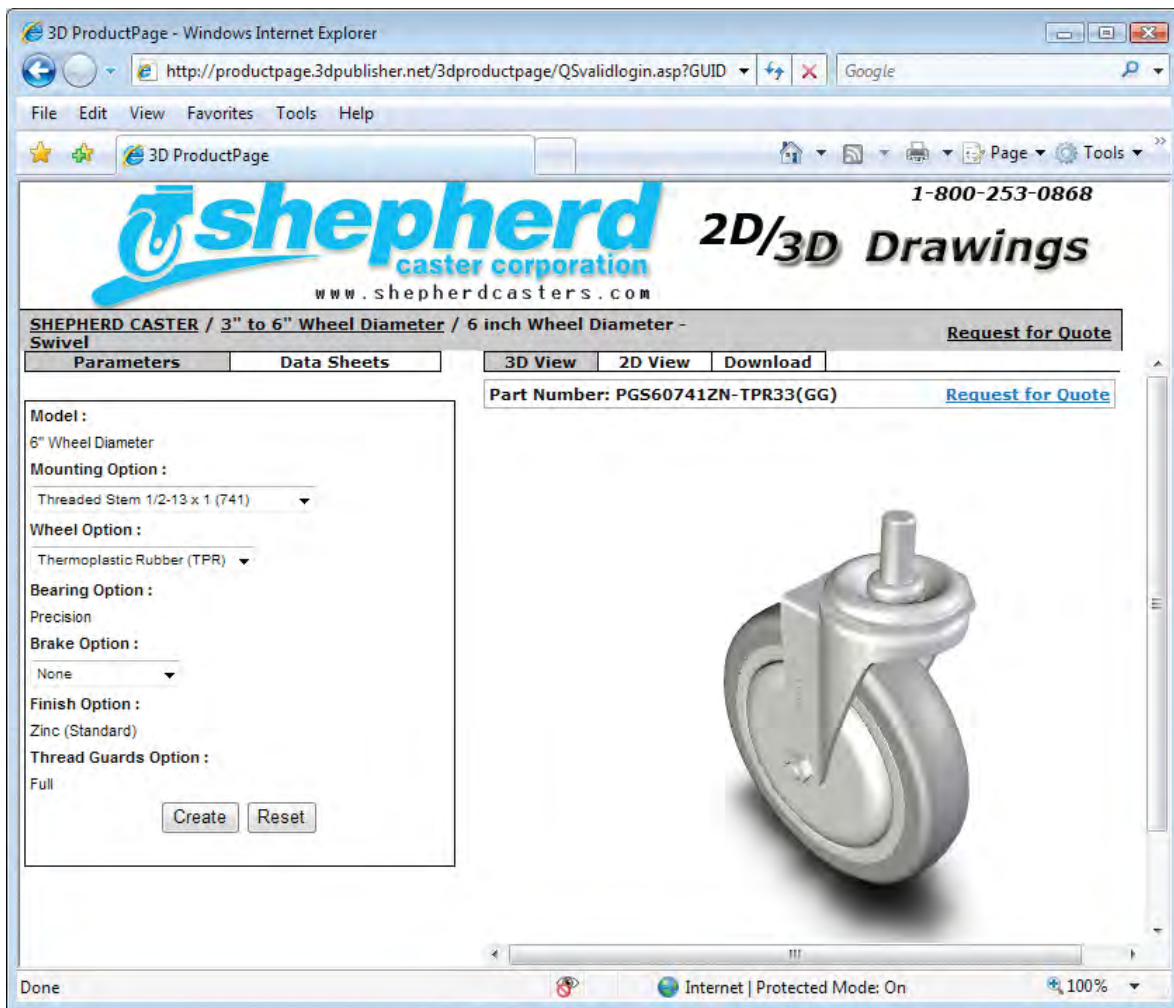


The Shepherd Advantage

New!

Integrate a Shepherd caster directly into your engineering drawing

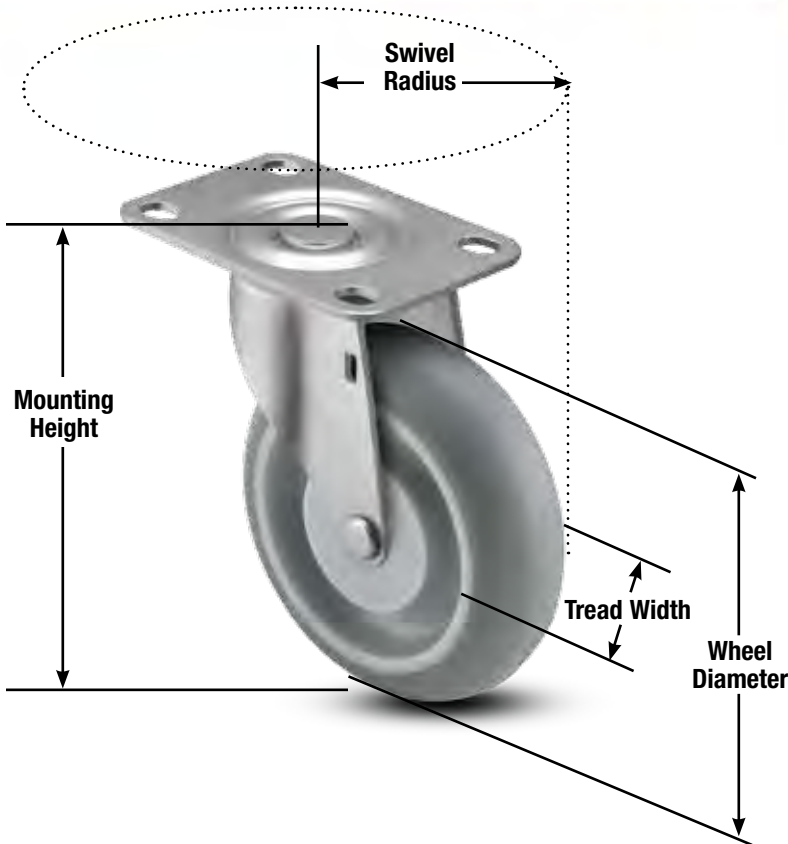
With Shepherd's new engineering drawing tool its very easy to incorporate the casters right into your design. Visit www.shepherdcasters.com and click on the 2D/3D drawing icon. Select the caster that fits your design and download it in any of the popular drawing formats that you need. To make things even easier you can request a quote at the same time. Just another way Shepherd Caster Corporation is inspiring mobility and making your work easier.



The screenshot shows a web browser window displaying the Shepherd Caster Corporation website. The page title is "3D ProductPage - Windows Internet Explorer". The address bar shows the URL: <http://productpage.3dpublisher.net/3dproductpage/QSvalidlogin.asp?GUID>. The page features the Shepherd Caster Corporation logo and the text "2D/3D Drawings". The main content area is titled "SHEPHERD CASTER / 3" to 6" Wheel Diameter / 6 inch Wheel Diameter - Swivel". Below this title, there are tabs for "Parameters", "Data Sheets", "3D View", "2D View", and "Download". The "Parameters" tab is active, showing a list of options for the caster: Model (6" Wheel Diameter), Mounting Option (Threaded Stem 1/2-13 x 1 (741)), Wheel Option (Thermoplastic Rubber (TPR)), Bearing Option (Precision), Brake Option (None), Finish Option (Zinc (Standard)), and Thread Guards Option (Full). There are "Create" and "Reset" buttons at the bottom of the parameter list. To the right of the parameter list, there is a "Part Number: PGS60741ZN-TPR33(GG)" and a "Request for Quote" button. A 3D rendering of the swivel caster is displayed on the right side of the page. The browser status bar at the bottom shows "Done", "Internet | Protected Mode: On", and "100%".

About Shepherd Caster Selection Guide

Caster Terms & Ratings



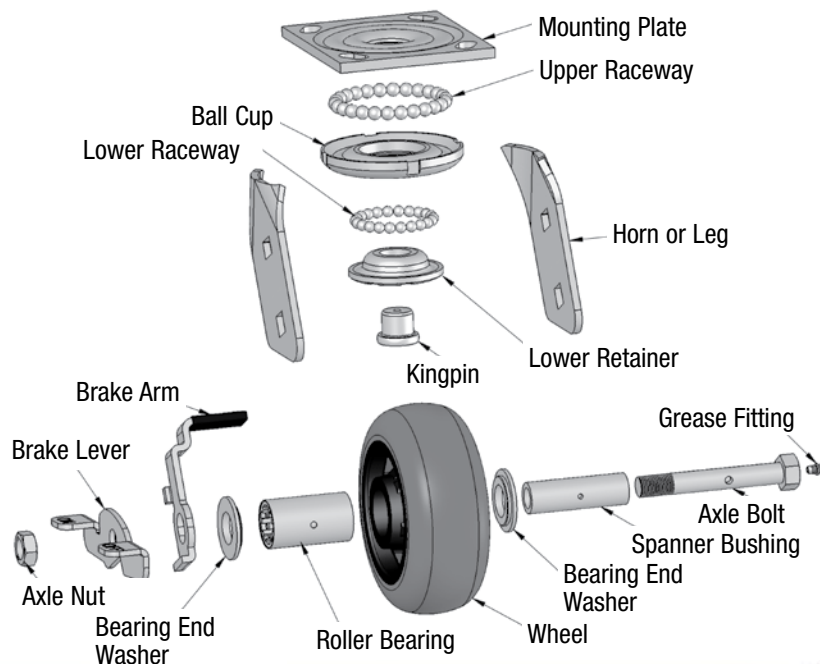
Swivel Radius – The distance from the center of the fastening to the outer most point of the caster. This specifies the minimum clearance required for a mounted caster to swivel 360 degrees.

Wheel Diameter – The outside diameter of the wheel. (Larger diameter wheels tend to roll easier and be more shock absorbing than smaller diameter wheels.)

Mounting Height – The vertical distance between the floor and the mounting point of the unit.

Dynamic Load – The load a caster is designed to carry on a continuous basis. Load is assigned on a per caster basis. To determine the load based on the number of casters on the unit, divide the total weight by the number of casters.

Caster Assembly Parts



About Shepherd Caster Selection Guide



Shepherd Nomenclature

Model number shown (PGS50120ZN-TPR33(GG) TB) is an institutional caster (PGS). The wheel diameter is 5" (50). The fastening is a swivel top plate (120). The caster fork finish is zinc (ZN). The wheel is a TPR (TPR) with a precision bearing and full thread guard (33). The color of the tread is grey and the wheel core is grey (GG). The caster has an optional tread lock brake (TB).

PGS50 120ZN-TPR33(GG) TB

Wheel Diameter

All series except twin wheels are 2 digits and are in inches, ie 30=3". Some twin wheels extend to 3 digits ie 100=100mm

Fastening

See pages 106-115 for a listing of all fastenings

Finish

ZN-Zinc
TZ-ROHS compliant Zinc
BO-Black Oxide
BK-Black
BB-Bright Brass
BC-Bright Chrome
WA-Windsor Antique
SC Satin Chrome

Wheel

Single wheel casters only
See pages 92-100 for a listing of all wheel types, some lighter duty casters have a 2 digit code.

Bearing/Thread Guard

Medium-Heavy Duty Wheel Casters only:
01- plain bore, no thread guard
11- Delrin, no thread guard
21- Two pc ball bearing, no thread guard
22- two piece ball bearing, partial wheel thread guard
33- Precision bearing, full thread guard
51- roller bearing, no thread guard
81- sealed roller bearing, no thread guard

Wheel Color

Tread Color and Core color, see individual product sections for wheel color options

Options

Will include brake options and other non-standard options. In Twin wheels will also include tread options such as urethane (-U). See individual product sections for details.

Caster Code

Code	Description	Page
BDR	Dual Wheel Low Profile Rigid	48-49
BDS	Dual Wheel Low Profile Swivel	48-49
BLR	Low Profile Rigid	43
BLS	Low Profile Swivel	43
BMR	Low Profile Rigid Heavy Duty	43
BMS	Low Profile Swivel Heavy Duty	43
CAR	AS/AR Series Rigid	56-57
CAS	AS/AR Series Swivel	56-57
CDS	Diamond Series Swivel	54-55
CER	ES/ER Series Rigid	58
CES	ES/ER Series Swivel	58
CH-	Chrome Hospital	79-81
CHA	HA/HB Series Swivel	61
CHB	HA/HB Series Rigid	61
CHR	HS/HR Series Rigid	60
CHS	HS/HR Series Swivel	60
COO	00 Series	40-41
COR	OS/OR Series Rigid	59
COS	OS/OR Series Swivel	59
CPR	Prism/Diamond Series Rigid	51-55
CPS	Prism Series Swivel	51-54
CPT	Prism Series Total Lock	51-54
CXX	XX/YY Series Swivel	44-45

Code	Description	Page
CYY	XX/YY Series Rigid	44-45
DW-	Dual Wheel	46-47
HDR	Heavy Duty Institutional Rigid	36-37
HDS	Heavy Duty Institutional Swivel	36-37
PAD	Euro-Style Direction Lock	35
PAT	Euro-Style Total Lock	35
PBH	Baron	26-27
PCM	Ball Casters Cosmo	86-87
PDT	PDT Caster	89
PEC	Eclipse	16-17
PGE	Genesis	20-21
PGN	Glass Handling Casters	88
PGR	Institutional Rigid	34
PGS	Institutional Swivel	30-34
PGT	Institutional Total Lock	30-34
PHG	Replacement Chair Casters	70
PHT	Replacement Chair Casters	70
PLD	Ladder Caster	88
PMN	Monarch	24-25
PNA	Ball Casters Nova	86-87
POM	Omega	18-19
PPA	Pacer Series	62-63
PPB	Pilot Series	64-65

Code	Description	Page
PPE	Pert Series	68-69
PPL	Ball Casters Planet	84-85
PPT	Prim	71
PRE	Regent-Swivel	10-14
PRI	Regent-Rigid	15
PRQ	General Duty Rigid	28-29
PRS	RS Series	22-23
PRT	RT Series	22-23
PSC	Specialty Chair Casters	89
PSD	Specialty Chair Casters	89
PSE	Ball Casters Satellite	84-85
PSF	SoftTech Series	74-77
PSN	Ball Casters Saturn	86-87
PSQ	General Duty Swivel	28-29
PST	Ball Casters Starlet	84-85
PTL	Twin Wheel Swivel Total Lock	78
PTS	Twin Wheel Swivel	78
PTW	Source II	66-67
PUT	Ultima Series	72-73
PZD	Z Series Direction Lock	38-39
PZS	Z Series Swivel	38-39
PZT	Z Series Total Lock	38-39
SS-	Stainless Hospital	82-83

Contents

Regent • Page 10-15



- Load ratings up to 160 lbs
- 1-5/8" to 5" wheel diameter

Eclipse • Page 16-17



- Load ratings up to 125 lbs
- 3" to 4" wheel diameter

Omega • Page 18-19



- Load ratings up to 120 lbs
- 2" to 3" wheel diameter

Baron • Page 26-27



- Load ratings up to 180 lbs
- 1-5/8" and 2" wheel diameter

General Duty • Page 28-29



- Load ratings up to 300 lbs
- 2" to 4" wheel diameter

Institutional • Page 30-35



- Load ratings up to 325 lbs
- 3" to 6" wheel diameter

Dual Wheel • Page 46-47



- Load ratings up to 220 lbs
- 3" wheel diameter

BDS/BDR • Page 48-49



- Load ratings up to 400 lbs
- 2" and 2-1/2" wheel diameter

Prism • Page 50-53



- **New stainless steel models**
- Load ratings up to 1,200 lbs
- 4" to 8" wheel diameter

Pilot • Page 64-65



- Load ratings up to 100 lbs
- 50mm to 60mm wheel diameter

Source II • Page 66-67



- Load ratings up to 100 lbs
- 40mm to 60mm wheel diameter

Pert • Page 68-69



- Load ratings up to 75 lbs
- 52mm wheel diameter

Softech • Page 74-76



- Load ratings up to 225 lbs
- 50mm to 125mm wheel diameter

MRI Conditional • Page 77



- Load ratings up to 165 lbs
- 50mm to 75mm wheel diameter

Twin Lock • Page 78



- Load ratings up to 225 lbs
- 100mm wheel diameter

Component Parts • Page 90-91



- Rigs, axles, bearings, spanners and brakes

Wheels • Page 92-100



- Complete line of replacement wheels

Sockets • Page 101-102



- Complete line of sockets

Contents

Genesis • Page 20-21



- Load ratings up to 110 lbs
- 3" wheel diameter

RS/RT • Page 22-23



- Load ratings up to 120 lbs
- 3" wheel diameter

Monarch • Page 24-25



- Load ratings up to 120 lbs
- 2", 2-1/2" and 3" wheel diameter

HDI • Page 36-37



- Load ratings up to 400 lbs
- 4" and 5" wheel diameter

Z Series • Page 38-39



- Load ratings up to 300 lbs
- 4" to 6" wheel diameter

Bassick Low Profile • Page 40-45



- Load ratings up to 1,000 lbs
- 2" to 4" wheel diameter
- 00, LS Low Profile and XX series

Diamond • Page 54-55



- Load ratings up to 1,250 lbs
- 4" to 8" wheel diameter

Honcho • Page 56-61



- Load ratings up to 3,500 lbs
- 4" to 10" wheel diameter
- AS, ES, OS and HS, HA series

Pacer • Page 62-63



- Load ratings up to 100 lbs
- 50mm to 60mm wheel diameter

Chair Casters • Page 70



- Load ratings up to 75 lbs
- 50mm to 55mm wheel diameter

Prim • Page 71



- Load ratings up to 100 lbs
- 60mm wheel diameter

Ultima • Page 72-73



- Load ratings up to 180 lbs
- 50mm to 125mm wheel diameter

Hospital • Page 79-83



- Chrome & Stainless Steel
- Load ratings up to 260 lbs
- 3" to 6" wheel diameter

Ball • Page 84-87



- Load ratings up to 100 lbs
- 2" to 3" wheel diameter

Specialty • Page 88-89



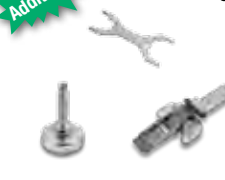
- Casters for special applications

Floor Locks/Jacks • Page 103



- Floor locks
- Leveling Jacks

Accessories • Page 104-105



- Glides, caps, installation tools, clamps, strikes

Fastenings • Page 106-118



- Handy plate and stem fastening reference

Regent



Features	Applications	Options
<ul style="list-style-type: none"> • Zinc finish • Double ball bearing raceways • Octagon washer on threaded stem and expanding adapter stem models for easy installation • Heat treated raceways for increased wear resistance • NSF approved less thread guards • RoHS compliant 	<ul style="list-style-type: none"> • Fixtures • Carts • Institutional Equipment • Medical Equipment • Furniture 	<p>Brakes: Friction Brake, Tread Lock Brake. To order, see individual specification pages.</p> <p>Finishes: Zinc is standard, but other finishes are available (see below).</p> <p>Fastenings: Others available. Consult factory.</p> <p>Threaded Stem Washer Wrench: Holds castor in place while assembling to unit (see page 104). To order specify: [Wrench RE GS GT ZN].</p>

Wheel Selection



Soft Rubber conductive models available – minimum order may apply.

Finish Selection



Polished Nickel [PN] Optional Finish

Bright Chrome [BC] Optional Finish

Copper Oxide [CO] Optional Finish

Zinc [ZN] RoHS compliant.

Black Oxide [BO] Optional Finish

Replace standard Zinc [ZN] in Part Number with appropriate finish code. Minimum order quantities may apply.

Regent Threaded Stem Models



Friction Brake

2", 2-1/2" & 3" models. 2" and 2-1/2" dia. model swivel radius changes to 2-1/8". Add [-B] at end of model.

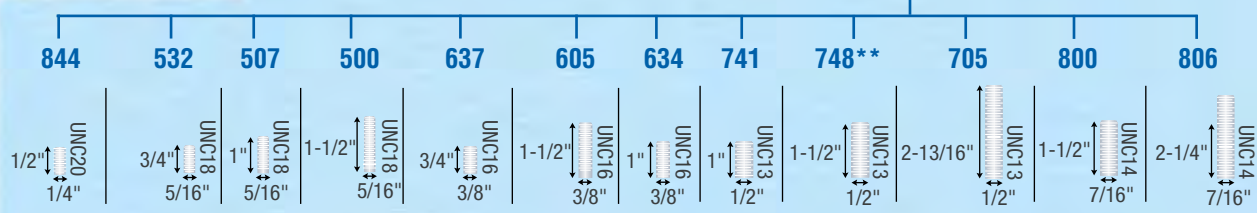


Tread Lock Brake

4" and 5" models. Add [-B] at end of model.

Threaded Stem Models

Wheel Dia.	Tread Width	Wheel Description	Dynamic Load	Mounting Height	Swivel Radius	Part Number	Fastening Selection
1-5/8"	11/16"	Soft Rubber	70	2-5/16"	1-5/8"	PRE16_ZN-3R	605
	11/16"	Soft Rubber	75	2-5/16"	1-5/8"	PRE16_BO-3R*	634
	11/16"	Polyolefin	75	2-5/16"	1-5/8"	PRE16_ZN-3E	532, 844
2"	13/16"	Soft Rubber	80	2-5/8"	1-15/16"	PRE20_ZN-3R	532, 507, 500, 637, 634, 605, 748
	13/16"	TPR	80	2-5/8"	1-15/16"	PRE20_ZN-TPR	532, 507, 500, 637, 634, 605, 748
	13/16"	Hard Rubber	90	2-5/8"	1-15/16"	PRE20_ZN-3H	532, 507, 500, 637, 634, 605, 748
	13/16"	Polyurethane	90	2-5/8"	1-15/16"	PRE20_ZN-TPU	532, 507, 500, 637, 634, 605, 748
	13/16"	Solid Polyolefin	90	2-5/8"	1-15/16"	PRE20_ZN-3ES	532, 507, 500, 637, 634, 605, 748
	3/4"	Polyolefin	90	2-5/8"	1-15/16"	PRE20_ZN-3E	532, 507, 500, 637, 634, 605, 748
	7/8"	Vipor	90	2-5/8"	1-15/16"	PRE20_ZN-VPR01(CG)	532, 507, 500, 637, 634, 605, 748
2-1/2"	13/16"	Soft Rubber	80	3-1/8"	2-1/8"	PRE25_ZN-3R	532, 507, 500, 637, 634, 605, 748
	13/16"	TPR	80	3-1/8"	2-1/8"	PRE25_ZN-TPR	532, 507, 500, 637, 634, 605, 748
	13/16"	Hard Rubber	95	3-1/8"	2-1/8"	PRE25_ZN-3H	532, 507, 500, 637, 634, 605, 748
	13/16"	Polyurethane	95	3-1/8"	2-1/8"	PRE25_ZN-TPU	532, 507, 500, 637, 634, 605, 748
	13/16"	Polyolefin	95	3-1/8"	2-1/8"	PRE25_ZN-3E	532, 507, 500, 637, 634, 605, 748
3"	13/16"	Soft Rubber	110	3-1/2"	2-1/2"	PRE30_ZN-3R	532, 507, 500, 637, 634, 605, 748
	13/16"	TPR	110	3-1/2"	2-1/2"	PRE30_ZN-TPR	532, 507, 500, 637, 634, 605, 748
	13/16"	Hard Rubber	120	3-1/2"	2-1/2"	PRE30_ZN-3H	532, 507, 500, 637, 634, 605, 748
	13/16"	Polyurethane	120	3-1/2"	2-1/2"	PRE30_ZN-TPU	532, 507, 500, 637, 634, 605, 748
	13/16"	Polyolefin	120	3-1/2"	2-1/2"	PRE30_ZN-3E	532, 507, 500, 637, 634, 605, 748
	13/16"	Monotech	120	3-1/2"	2-1/2"	PRE30_ZN-MNT	532, 507, 500, 637, 634, 605, 748
	13/16"	Vipor	120	3-1/2"	2-1/2"	PRE30_ZN-VPR01(CG)	532, 507, 500, 637, 634, 605, 748
4"	15/16"	Soft Rubber	125	4-3/4"	3-7/16"	PRE40_ZN-3R	605, 800, 806, 705, 741, 748
	15/16"	TPR	125	4-3/4"	3-7/16"	PRE40_ZN-TPR	605, 800, 806, 705, 741, 748
	15/16"	Hard Rubber	150	4-3/4"	3-7/16"	PRE40_ZN-3H	605, 800, 806, 705, 741, 748
	15/16"	Polyurethane	150	4-3/4"	3-7/16"	PRE40_ZN-TPU	605, 800, 806, 705, 741, 748
	15/16"	Polyolefin	150	4-3/4"	3-7/16"	PRE40_ZN-3E	605, 800, 806, 705, 741, 748
	15/16"	Monotech	150	4-3/4"	3-7/16"	PRE40_ZN-MNT	605, 800, 806, 705, 741, 748
5"	15/16"	Soft Rubber	130	5-3/4"	4-1/8"	PRE50_ZN-3R	605, 800, 806, 705, 741, 748
	15/16"	TPR	130	5-3/4"	4-1/8"	PRE50_ZN-TPR	605, 800, 806, 705, 741, 748
	15/16"	Hard Rubber	150	5-3/4"	4-1/8"	PRE50_ZN-3H	605, 800, 806, 705, 741, 748
	15/16"	Polyurethane	150	5-3/4"	4-1/8"	PRE50_ZN-TPU	605, 800, 806, 705, 741, 748
	15/16"	Polyolefin	150	5-3/4"	4-1/8"	PRE50_ZN-3E	605, 800, 806, 705, 741, 748
	15/16"	Monotech	160	5-3/4"	4-1/8"	PRE50_ZN-MNT	605, 800, 806, 705, 741, 748
	15/16"	Precision Bearing	160	5-3/4"	4-1/8"	PRE50_ZN-MNT33(GG)	605, 800, 806, 705, 741, 748
	15/16"	Monotech	160	5-3/4"	4-1/8"	PRE50_ZN-MNT33(GG)	605, 800, 806, 705, 741, 748



*Black Oxide finish standard on this part number only.

**Minimum order on 748 stem for 2", 2-1/2" and 3" models.

To order include fastener code.
Example: PRE16532ZN-3E.

Regent Grip Ring and Grip Neck Stem Models



Grip Ring and Grip Neck Stem Models

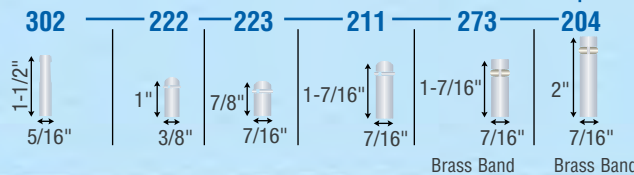
Wheel Dia.	Tread Width	Wheel Description	Dynamic Load	Mounting Height	Swivel Radius	Part Number	Fastening Selection
1-5/8"	11/16"	Polyolefin	75	2-5/16"	1-5/8"	PRE16302BO-3E*	302
	11/16"	Polyolefin	75	2-5/16"	1-5/8"	PRE16302CO-3E**	302
2"	13/16"	Soft Rubber	80	2-5/8"	1-15/16"	PRE20_ZN-3R	302, 222, 223, 211, 273
	13/16"	TPR	80	2-5/8"	1-15/16"	PRE20_ZN-TPR	302, 222, 223, 211, 273
	13/16"	Hard Rubber	90	2-5/8"	1-15/16"	PRE20_ZN-3H	302, 222, 223, 211, 273
	13/16"	Polyurethane	90	2-5/8"	1-15/16"	PRE20_ZN-TPU	302, 222, 223, 211, 273
	13/16"	Solid Polyolefin	90	2-5/8"	1-15/16"	PRE20_ZN-3ES	302, 222, 223, 211, 273
	3/4"	Polyolefin	90	2-5/8"	1-15/16"	PRE20_ZN-3E	302, 222, 223, 211, 273
	7/8"	Vipor	90	2-5/8"	1-15/16"	PRE20_ZN-VPR01(CG)	302, 222, 223, 211, 273
2-1/2"	13/16"	Soft Rubber	80	3-1/8"	2-1/8"	PRE25_ZN-3R	302, 222, 223, 211, 273
	13/16"	TPR	80	3-1/8"	2-1/8"	PRE25_ZN-TPR	302, 222, 223, 211, 273
	13/16"	Hard Rubber	95	3-1/8"	2-1/8"	PRE25_ZN-3H	302, 222, 223, 211, 273
	13/16"	Polyurethane	95	3-1/8"	2-1/8"	PRE25_ZN-TPU	302, 222, 223, 211, 273
	13/16"	Polyolefin	95	3-1/8"	2-1/8"	PRE25_ZN-3E	302, 222, 223, 211, 273
3"	13/16"	Soft Rubber	110	3-1/2"	2-1/2"	PRE30_ZN-3R	302, 222, 223, 211, 273
	13/16"	TPR	110	3-1/2"	2-1/2"	PRE30_ZN-TPR	302, 222, 223, 211, 273
	13/16"	Hard Rubber	120	3-1/2"	2-1/2"	PRE30_ZN-3H	302, 222, 223, 211, 273
	13/16"	Polyurethane	120	3-1/2"	2-1/2"	PRE30_ZN-TPU	302, 222, 223, 211, 273
	13/16"	Polyolefin	120	3-1/2"	2-1/2"	PRE30_ZN-3E	302, 222, 223, 211, 273
	13/16"	Monotech	120	3-1/2"	2-1/2"	PRE30_ZN-MNT	302, 222, 223, 211, 273
	13/16"	Vipor	120	3-1/2"	2-1/2"	PRE30_ZN-VPR01(CG)	302, 222, 223, 211, 273
4"	15/16"	Soft Rubber	125	4-3/4"	3-7/16"	PRE40_ZN-3R	211, 273, 204
	15/16"	TPR	125	4-3/4"	3-7/16"	PRE40_ZN-TPR	211, 273, 204
	15/16"	Hard Rubber	150	4-3/4"	3-7/16"	PRE40_ZN-3H	211, 273, 204
	15/16"	Polyurethane	150	4-3/4"	3-7/16"	PRE40_ZN-TPU	211, 273, 204
	15/16"	Polyolefin	150	4-3/4"	3-7/16"	PRE40_ZN-3E	211, 273, 204
5"	15/16"	Soft Rubber	130	5-3/4"	4-1/8"	PRE50_ZN-3R	211, 273, 204
	15/16"	TPR	130	5-3/4"	4-1/8"	PRE50_ZN-TPR	211, 273, 204
	15/16"	Hard Rubber	150	5-3/4"	4-1/8"	PRE50_ZN-3H	211, 273, 204
	15/16"	Polyurethane	150	5-3/4"	4-1/8"	PRE50_ZN-TPU	211, 273, 204
	15/16"	Polyolefin	150	5-3/4"	4-1/8"	PRE50_ZN-3E	211, 273, 204
	15/16"	Monotech	160	5-3/4"	4-1/8"	PRE50_ZN-MNT	211, 273, 204
	15/16"	Precision Bearing Monotech	160	5-3/4"	4-1/8"	PRE50_ZN-MNT33(GG)	211, 273, 204

Friction Brake 2", 2-1/2" & 3" models. 2" and 2-1/2" dia. model swivel radius changes to 2-1/4". Add [-B] at end of model.



Tread Lock Brake 4" and 5" models. Add [-B] at end of model.

Grip Neck Stem Grip Ring Stems



To order include fastener code. Example: PRE16**222**ZN-3R.

*Black Oxide finish standard on this part number only.

**Copper Oxide finish standard on this part number only.

Regent Expanding Adapter Stem Models



Expanding Adapter Stem Models

Wheel Dia.	Tread Width	Wheel Description	Dynamic Load	Mounting Height	Swivel Radius	Part Number	Fastening Selection
4"	15/16"	Soft Rubber	125	4-3/4"	3-7/16"	PRE40__ZN-3R	440-455
	15/16"	TPR	125	4-3/4"	3-7/16"	PRE40__ZN-TPR	440-455
	15/16"	Hard Rubber	150	4-3/4"	3-7/16"	PRE40__ZN-3H	440-455
	15/16"	Polyurethane	150	4-3/4"	3-7/16"	PRE40__ZN-TPU	440-455
	15/16"	Polyolefin	150	4-3/4"	3-7/16"	PRE40__ZN-3E	440-455
	15/16"	Monotech	150	4-3/4"	3-7/16"	PRE40__ZN-MNT	440-455
5"	15/16"	Soft Rubber	130	5-3/4"	4-1/8"	PRE50__ZN-3R	440-455
	15/16"	TPR	130	5-3/4"	4-1/8"	PRE50__ZN-TPR	440-455
	15/16"	Hard Rubber	150	5-3/4"	4-1/8"	PRE50__ZN-3H	440-455
	15/16"	Polyurethane	150	5-3/4"	4-1/8"	PRE50__ZN-TPU	440-455
	15/16"	Polyolefin	150	5-3/4"	4-1/8"	PRE50__ZN-3E	440-455
	15/16"	Monotech	160	5-3/4"	4-1/8"	PRE50__ZN-MNT	440-455
	15/16"	Precision Bearing Monotech	160	5-3/4"	4-1/8"	PRE50__ZN-MNT33(GG)	440-455

Fits Round Tube

Tube Diameter Range	Code
3/4" - 13/16"	440
7/8" - 15/16"	441
1" - 1-1/16"	442
1-1/8" - 1-3/16"	443
1-1/4" - 1-5/16"	444
1-3/8" - 1-7/16"	445
1-1/2" - 1-9/16"	446
1-5/8" - 1-11/16"	447

Fits Square Tube

Tube Diameter Range	Code
7/8" - 15/16"	451
1" - 1-1/16"	452
1-1/8" - 1-3/16"	453
1-1/4" - 1-5/16"	454
1-3/8" - 1-7/16"	455

To order include fastener code.
Example: PRE40**440**ZN-3R

Tread Lock Brake
4" and 5" models. Add
[-B] at end of model.

Regent Swivel Top Plate Models



Friction Brake

2", 2-1/2" & 3" models. 2" and 2-1/2" dia. model swivel radius changes to 2-1/4". Add [-B] at end of model.

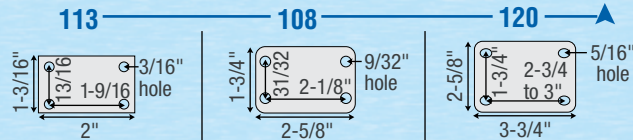


Tread Lock Brake

4" and 5" models. Add [-B] at end of model.

Swivel Top Plate Models (For matching rigid casters see next page)

Wheel Dia.	Tread Width	Wheel Description	Dynamic Load	Mounting Height	Swivel Radius	Part Number	Fastening Selection
1-5/8"	11/16"	Soft Rubber	70	2-5/16"	1-5/8"	PRE16_ZN-3R	113
	11/16"	Polyolefin	75	2-5/16"	1-5/8"	PRE16_CO-3E*	113
2"	13/16"	Soft Rubber	80	2-5/8"	1-15/16"	PRE20_ZN-3R	113, 108
	13/16"	TPR	80	2-5/8"	1-15/16"	PRE20_ZN-TPR	113, 108
	13/16"	Vipor	80	2-5/8"	1-15/16"	PRE20_ZN-VPR01(CG)	113, 108
	13/16"	Hard Rubber	90	2-5/8"	1-15/16"	PRE20_ZN-3H	113, 108
	13/16"	Polyurethane	90	2-5/8"	1-15/16"	PRE20_ZN-TPU	113, 108
	13/16"	Solid Polyolefin	90	2-5/8"	1-15/16"	PRE20_ZN-3ES	113, 108
	3/4"	Polyolefin	90	2-5/8"	1-15/16"	PRE20_ZN-3E	113, 108
2-1/2"	13/16"	Soft Rubber	80	3-1/8"	2-1/8"	PRE25_ZN-3R	113, 108
	13/16"	TPR	80	3-1/8"	2-1/8"	PRE25_ZN-TPR	113, 108
	13/16"	Hard Rubber	95	3-1/8"	2-1/8"	PRE25_ZN-3H	113, 108
	13/16"	Polyurethane	95	3-1/8"	2-1/8"	PRE25_ZN-TPU	113, 108
	13/16"	Polyolefin	95	3-1/8"	2-1/8"	PRE25_ZN-3E	113, 108
3"	13/16"	Soft Rubber	110	3-1/2"	2-1/2"	PRE30_ZN-3R	113, 108, 120
	13/16"	TPR	110	3-1/2"	2-1/2"	PRE30_ZN-TPR	113, 108, 120
	13/16"	Hard Rubber	120	3-1/2"	2-1/2"	PRE30_ZN-3H	113, 108, 120
	13/16"	Polyurethane	120	3-1/2"	2-1/2"	PRE30_ZN-TPU	113, 108, 120
	13/16"	Polyolefin	120	3-1/2"	2-1/2"	PRE30_ZN-3E	113, 108, 120
	13/16"	Monotech	120	3-1/2"	2-1/2"	PRE30_ZN-MNT	113, 108, 120
	13/16"	Vipor	120	3-1/2"	2-1/2"	PRE30_ZN-VPR01(CG)	113, 108, 120
4"	15/16"	Soft Rubber	125	4-7/8"	3-7/16"	PRE40_ZN-3R	120
	15/16"	TPR	125	4-7/8"	3-7/16"	PRE40_ZN-TPR	120
	15/16"	Hard Rubber	150	4-7/8"	3-7/16"	PRE40_ZN-3H	120
	15/16"	Polyurethane	150	4-7/8"	3-7/16"	PRE40_ZN-TPU	120
	15/16"	Polyolefin	150	4-7/8"	3-7/16"	PRE40_ZN-3E	120
	15/16"	Monotech	150	4-7/8"	3-7/16"	PRE40_ZN-MNT	120
5"	15/16"	Soft Rubber	130	5-7/8"	4-1/8"	PRE50_ZN-3R	120
	15/16"	TPR	130	5-7/8"	4-1/8"	PRE50_ZN-TPR	120
	15/16"	Hard Rubber	150	5-7/8"	4-1/8"	PRE50_ZN-3H	120
	15/16"	Polyurethane	150	5-7/8"	4-1/8"	PRE50_ZN-TPU	120
	15/16"	Polyolefin	150	5-7/8"	4-1/8"	PRE50_ZN-3E	120
	15/16"	Monotech	160	5-7/8"	4-1/8"	PRE50_ZN-MNT	120
	15/16"	Precision Monotech	160	5-7/8"	4-1/8"	PRE50_ZN-MNT33(GG)	120



To order include fastener code.
Example:
PRE16**113**ZN-3R

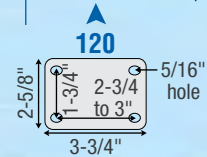
*Copper Oxide finish standard on this part number only.

Regent Rigid Top Plate Models



Rigid Top Plate Models (For matching swivel casters see previous page)

Wheel Dia.	Tread Width	Wheel Description	Dynamic Load	Mounting Height	Swivel Radius	Part Number	Fastening Selection
3"	13/16"	Soft Rubber	110	3-1/2"	-	PRI30120ZN-3R	120
	13/16"	TPR	110	3-1/2"	-	PRI30120ZN-TPR	120
	13/16"	Hard Rubber	120	3-1/2"	-	PRI30120ZN-3H	120
	13/16"	Polyurethane	120	3-1/2"	-	PRI30120ZN-TPU	120
	13/16"	Polyolefin	120	3-1/2"	-	PRI30120ZN-3E	120
	13/16"	Monotech	120	3-1/2"	-	PRI30120ZN-MMNT	120
	13/16"	Vipor	120	3-1/2"	-	PRI30120ZN-VPR01(CG)	120
4"	15/16"	Soft Rubber	125	4-7/8"	-	PRI40120ZN-3R	120
	15/16"	TPR	125	4-7/8"	-	PRI40120ZN-TPR	120
	15/16"	Hard Rubber	150	4-7/8"	-	PRI40120ZN-3H	120
	15/16"	Polyurethane	150	4-7/8"	-	PRI40120ZN-TPU	120
	15/16"	Polyolefin	150	4-7/8"	-	PRI40120ZN-3E	120
	15/16"	Monotech	150	4-7/8"	-	PRI40120ZN-MMNT	120
5"	15/16"	Soft Rubber	130	5-7/8"	-	PRI50120ZN-3R	120
	15/16"	TPR	130	5-7/8"	-	PRI50120ZN-TPR	120
	15/16"	Hard Rubber	150	5-7/8"	-	PRI50120ZN-3H	120
	15/16"	Polyurethane	150	5-7/8"	-	PRI50120ZN-TPU	120
	15/16"	Polyolefin	150	5-7/8"	-	PRI50120ZN-3E	120
	15/16"	Monotech	160	5-7/8"	-	PRI50120ZN-MMNT	120
	15/16"	Precision Bearing Monotech	160	5-7/8"	-	PRI50120ZN-MMNT33(GG)	120



Eclipse Patent Pending



Features

- Strong glass filled nylon body
- Sleek stylish design
- Full thread guards
- Nut and bolt axle

Applications

- Medical Equipment
- Utility Carts
- Store Fixtures
- Food Service Equipment
- Seating

Options

Brake: Tread brake uniformly integrated into body design for smooth look and ease of activation. Add [-B] at the end of model.

RoHS Compliant: Available upon request.

Wheel Selection



Grey Polyurethane



Black Polyurethane



Grey Urethane (Clear-Tread)



Black Urethane (Clear-Tread)



Tread Brake: Add [-B] at end of model. Swivel Radius for Brake models: 3" is 3-1/8", 4" is 3-13/16".



Tread Brake: Add [-B] at end of model. Swivel Radius for Brake models: 3" is 3-1/8", 4" is 3-13/16".

Grey Threaded Stem Models

Wheel Dia.	Tread Width	Wheel Description	Bearing Type	Dynamic Load	Mounting Height	Swivel Radius	Part Number	Fastening Selection
3"	15/16"	Polyurethane	Delrin	120 lbs	4-5/16"	2-1/2"	PEC30__GR-TPU03(GG)	507, 637
	15/16"	Clear Urethane	Precision Ball	120 lbs	4-5/16"	2-1/2"	PEC30__GR-SKW31(CG)	507, 637
4"	15/16"	Polyurethane	Delrin	125 lbs	5-3/8"	3-1/4"	PEC40__GR-TPU03(GG)	507, 637

Black Threaded Stem Models

Wheel Dia.	Tread Width	Wheel Description	Bearing Type	Dynamic Load	Mounting Height	Swivel Radius	Part Number	Fastening Selection
3"	15/16"	Polyurethane	Delrin	120 lbs	4-5/16"	2-1/2"	PEC30__BK-TPU03(KK)	507, 637
	15/16"	Clear Urethane	Precision Ball	120 lbs	4-5/16"	2-1/2"	PEC30__BK-SKW31(CK)	507, 637
4"	15/16"	Polyurethane	Delrin	125 lbs	5-3/8"	3-1/4"	PEC40__BK-TPU03(KK)	507, 637

507
UNC18
1"
5/16"

637
UNC16
3/4"
3/8"



Tread Brake: Add [-B] at end of model. Swivel Radius for Brake models: 3" is 3-1/8", 4" is 3-13/16".



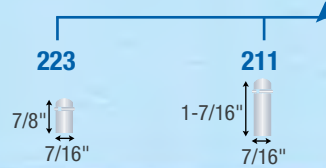
Tread Brake: Add [-B] at end of model. Swivel Radius for Brake models: 3" is 3-1/8", 4" is 3-13/16".

Grey Grip Ring Stem Models

Wheel Dia.	Tread Width	Wheel Description	Bearing Type	Dynamic Load	Mounting Height	Swivel Radius	Part Number	Fastening Selection
3"	15/16"	Polyurethane	Delrin	120 lbs	4-5/16"	2-1/2"	PEC30__GR-TPU03(GG)	223, 211
	15/16"	Clear Urethane	Precision Ball	120 lbs	4-5/16"	2-1/2"	PEC30__GR-SKW31(CG)	223, 211
4"	15/16"	Polyurethane	Delrin	125 lbs	5-3/8"	3-1/4"	PEC40__GR-TPU03(GG)	223, 211

Black Grip Ring Stem Models

Wheel Dia.	Tread Width	Wheel Description	Bearing Type	Dynamic Load	Mounting Height	Swivel Radius	Part Number	Fastening Selection
3"	15/16"	Polyurethane	Delrin	120 lbs	4-5/16"	2-1/2"	PEC30__BK-TPU03(KK)	223, 211
	15/16"	Clear Urethane	Precision Ball	120 lbs	4-5/16"	2-1/2"	PEC30__BK-SKW31(CK)	223, 211
4"	15/16"	Polyurethane	Delrin	125 lbs	5-3/8"	3-1/4"	PEC40__BK-TPU03(KK)	223, 211



Contact factory
for other
fastening options

Omega



Features

- Fully heat treated
- Dual ball bearing raceways
- High luster chrome or black finish
- Matching thread guards
- Precision ball bearing wheels for excellent rollability
- Choice of new vipor wheel (85-90A) or soft neoprene rubber (50-60A) durometer

Applications

- Medical Equipment
- Electronic Equipment
- Seating

Options

Brakes: Tread brake uniformly integrated into body design for smooth look and ease of activation.

Bolt-In Stems:

A variety of stems can be attached to the kingpinless fastening #403 providing the ultimate in versatility. Contact factory for bolt-in stem part numbers.



Black finish is available with the **vipor** wheel for a minimum purchase (Consult factory).

Finish Selection



Bright Chrome



Black

Wheel Selection



Soft Neoprene Rubber



Vipor



Tread Brake
Add [B] at end of model. Swivel radius is 3-1/8".

Hollow Kingpin Models (7/16": Recommended mounting bolt 3/8" diameter - 16 x 1/2" minimum)

Wheel Dia.	Tread Width	Tread Type	Finish	Bearing Type	Dynamic Load	Mounting Height	Swivel Radius	Part Number	Fastening Selection
3"	15/16"	Neoprene	Bright Chrome	Precision	110 lbs	3-7/8"	2-7/8"	POM30403BC-NPR	403
	15/16"	Neoprene	Black	Precision	110 lbs	3-7/8"	2-7/8"	POM30403BZ-NPR	403
	15/16"	Vipor	Bright Chrome	Precision	120 lbs	3-7/8"	2-7/8"	POM30403BC-VPR33(CK)	403

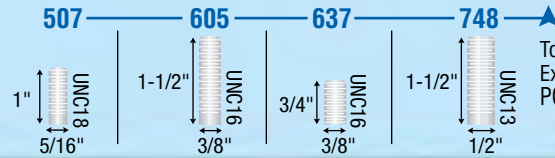


Tread Brake

Add [B] at end of model.
Swivel radius is 3-1/8".

Threaded Stem Models

Wheel Dia.	Tread Width	Tread Type	Finish	Bearing Type	Dynamic Load	Mounting Height	Swivel Radius	Part Number	Fastening Selection
2"	15/16"	Neoprene	Bright Chrome	Precision	75 lbs	2-3/4"	2"	POM20__BC-NPR	507,637,605
3"	15/16"	Neoprene	Bright Chrome	Precision	110 lbs	3-7/8"	2-7/8"	POM30__BC-NPR	All below
	15/16"	Neoprene	Black	Precision	110 lbs	3-7/8"	2-7/8"	POM30__BZ-NPR	All below
	15/16"	Vipor	Bright Chrome	Precision	120 lbs	3-7/8"	2-7/8"	POM30__BC-VPR33(CK)	All below



To order include fastener code.
Example:
POM30**507**BC-NPR33(KK)



New 2"
brake model

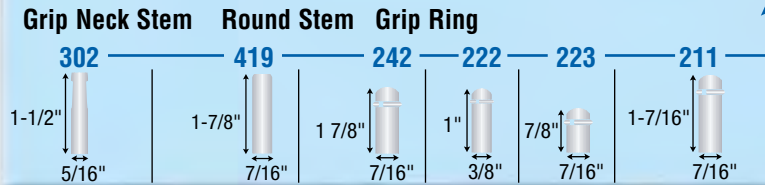
2" model

Tread Brake

Add [B] at end of model.
Swivel radius is 3-1/8".

Grip Ring, Grip Neck or Round Stem Models

Wheel Dia.	Tread Width	Tread Type	Finish	Bearing Type	Dynamic Load	Mounting Height	Swivel Radius	Part Number	Fastening Selection
2"	15/16"	Neoprene	Bright Chrome	Precision	75 lbs	2-3/4"	2"	POM20223BC-NPR	223 only
3"	15/16"	Neoprene	Bright Chrome	Precision	110 lbs	3-7/8"	2-7/8"	POM30__BC-NPR	All below
	15/16"	Neoprene	Black	Precision	110 lbs	3-7/8"	2-7/8"	POM30__BZ-NPR	All below
	15/16"	Vipor	Bright Chrome	Precision	120 lbs	3-7/8"	2-7/8"	POM30__BC-VPR33(CK)	All below



To order include fastener code.
Example:
POM20**223**BC-NPR

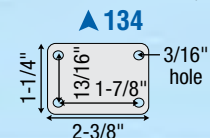


Tread Brake

Add [B] at end of model.
Swivel radius is 3-1/8".

Swivel Top Plate Models

Wheel Dia.	Tread Width	Tread Type	Finish	Bearing Type	Dynamic Load	Mounting Height	Swivel Radius	Part Number	Fastening Selection
3"	15/16"	Neoprene	Bright Chrome	Precision	110 lbs	3-7/8"	2-7/8"	POM30134BC-NPR	134
	15/16"	Neoprene	Black	Precision	110 lbs	3-7/8"	2-7/8"	POM30134BZ-NPR	134
	15/16"	Vipor	Bright Chrome	Precision	120 lbs	3-7/8"	2-7/8"	POM30134BC-VPR33(CK)	134



Genesis



Features

- Strong polymer construction with non-corrosive components
- Smooth sealed precision bearing swivel section
- Glass filled nylon raceway seal
- Innovative concealed axle design with integrated thread guards
- Soft, non-marking MonoTech wheel with sealed precision bearing
- RoHS Compliant
- Matching integrated tread brake design

Applications

- Medical Equipment
- IV Poles
- Electronic Equipment
- Monitoring Equipment Stands
- Seating

Options

Brakes: Integrated tread brake coming soon.

Custom colors: Available with minimum purchase, consult factory.



Finish Selection



White



Black



Grey



White Threaded Stem Models

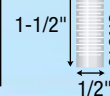
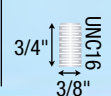
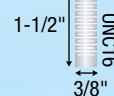
Wheel Dia.	Tread Width	Tread Type	Finish	Bearing Type	Dynamic Load	Mounting Height	Swivel Radius	Part Number	Fastening Selection
3"	1"	MonoTech	White Nylon	Precision	110 lbs	3-15/16"	2-15/16"	PGE30__WH-MNT30(GG)	All below

507

605

637

748



To order include fastener code.
Example:
PGE30507WH-MNT30(GG)

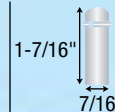


White Grip Ring Stem Models

Wheel Dia.	Tread Width	Tread Type	Finish	Bearing Type	Dynamic Load	Mounting Height	Swivel Radius	Part Number	Fastening Selection
3"	1"	MonoTech	White Nylon	Precision	110 lbs	3-15/16"	2-15/16"	PGE30__WH-MNT30(GG)	All below

223

211



To order include fastener code.
PGE30223WH-MNT30(GG)



Black Threaded Stem Models

Wheel Dia.	Tread Width	Tread Type	Finish	Bearing Type	Dynamic Load	Mounting Height	Swivel Radius	Part Number	Fastening Selection
3"	1"	MonoTech	Black Nylon	Precision	110 lbs	3-15/16"	2-15/16"	PGE30__BK-MNT30(KK)	All below

507	605	637	748

To order include fastener code.
Example: PGE30**507**BK-MNT30(KK)



Black Grip Ring Stem Models

Wheel Dia.	Tread Width	Tread Type	Finish	Bearing Type	Dynamic Load	Mounting Height	Swivel Radius	Part Number	Fastening Selection
3"	1"	MonoTech	Black Nylon	Precision	110 lbs	3-15/16"	2-15/16"	PGE30__BK-MNT30(KK)	All below

223	211

To order include fastener code.
Example: PGE30**223**BK-MNT30(KK)



Grey Threaded Stem Models

Wheel Dia.	Tread Width	Tread Type	Finish	Bearing Type	Dynamic Load	Mounting Height	Swivel Radius	Part Number	Fastening Selection
3"	1"	MonoTech	Grey Nylon	Precision	110 lbs	3-15/16"	2-15/16"	PGE30__GR-MNT30(GG)	All below

507	605	637	748

To order include fastener code.
Example: PGE30**507**GR-MNT30(GG)



Grey Grip Ring Stem Models

Wheel Dia.	Tread Width	Tread Type	Finish	Bearing Type	Dynamic Load	Mounting Height	Swivel Radius	Part Number	Fastening Selection
3"	1"	MonoTech	Grey Nylon	Precision	110 lbs	3-15/16"	2-15/16"	PGE30__GR-MNT30(GG)	All below

223	211

To order include fastener code.
Example: PGE30**223**GR-MNT30(GG)

RS/RT Light Duty Total Lock



Features Applications Options

- Light duty total lock brake with matching swivel
- Fully heat treated
- Dual ball bearing raceways
- Matching thread guards standard on all models
- Precision bearing wheels standard in neoprene and vipor wheel models
- 5/16" nut and bolt axle

- Medical Equipment
- Store fixtures
- Institutional Equipment
- Electronic Equipment
- Mobile carts
- Furniture

Total lock brake: Locks both wheel and swivel action simultaneously.

Two position direction lock: Special order only.

Bolt-In Stems:

A variety of stems can be attached to the kingpinless fastening #406. Contact factory for bolt-in stem options.



Finish Selection



Note: Not all finishes are available with all wheel selections.

Wheel Selection



Hollow Kingpin Swivel Models

Wheel Dia.	Tread Width	Tread Type	Finish	Bearing Type	Dynamic Load	Mounting Height	Swivel Radius	Part Number	Fastening Selection
3"	15/16"	Neoprene	Bright Chrome	Precision	110 lbs	4"	2-15/16"	PRS30406BC-NPR33(KK)	406
	15/16"	Vipor	Bright Chrome	Precision	120 lbs	4"	2-15/16"	PRS30406BC-VPR33(CK)	406
	13/16"	TPR (Black)	Black	Plain	110 lbs	4"	2-15/16"	PRS30406BK-TPR03(KK)	406
	13/16"	TPR (Gray)	Zinc Plated	Plain	110 lbs	4"	2-15/16"	PRS30406ZN-TPR03(GG)	406

Hollow Kingpin Total Lock Models

3"	15/16"	Neoprene	Bright Chrome	Precision	110 lbs	4"	4"	PRT30406BC-NPR33(KK)	406
	15/16"	Vipor	Bright Chrome	Precision	120 lbs	4"	4"	PRT30406BC-VPR33(CK)	406
	13/16"	TPR (Black)	Black	Plain	110 lbs	4"	4"	PRT30406BK-TPR03(KK)	406
	13/16"	TPR (Gray)	Zinc Plated	Plain	110 lbs	4"	4"	PRT30406ZN-TPR03(GG)	406

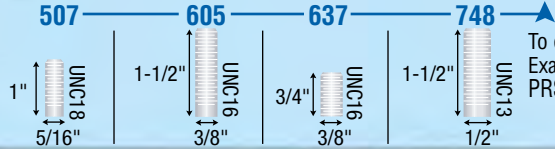
Hollow Kingpin: 7/16", recommended mounting bolt 3/8" diameter - 16 x 1/2" minimum.

Threaded Stem Swivel Models

Wheel Dia.	Tread Width	Tread Type	Finish	Bearing Type	Dynamic Load	Mounting Height	Swivel Radius	Part Number	Fastening Selection
3"	15/16"	Neoprene	Bright Chrome	Precision	110 lbs	4-3/16"	2-15/16"	PRS30__BC-NPR33(KK)	507,605,637,748
	15/16"	Vipor	Bright Chrome	Precision	120 lbs	4-3/16"	2-15/16"	PRS30__BC-VPR33(CK)	507,605,637,748
	13/16"	TPR (Black)	Black	Plain	110 lbs	4-3/16"	2-15/16"	PRS30__BK-TPR03(KK)	507,605,637,748
	13/16"	TPR (Gray)	Zinc Plated	Plain	110 lbs	4-3/16"	2-15/16"	PRS30__ZN-TPR03(GG)	507,605,637,748

Threaded Stem Total Lock Models

3"	15/16"	Neoprene	Bright Chrome	Precision	110 lbs	4-3/16"	4"	PRT30__BC-NPR33(KK)	507,605,637,748
	15/16"	Vipor	Bright Chrome	Precision	120 lbs	4-3/16"	4"	PRT30__BC-VPR33(CK)	507,605,637,748
	13/16"	TPR (Black)	Black	Plain	110 lbs	4-3/16"	4"	PRT30__BK-TPR03(KK)	507,605,637,748
	13/16"	TPR (Gray)	Zinc Plated	Plain	110 lbs	4-3/16"	4"	PRT30__ZN-TPR03(GG)	507,605,637,748



To order include fastener code.
Example:
PRS30**507**BC-NPR33(KK)



RS/RT Light Duty Total Lock



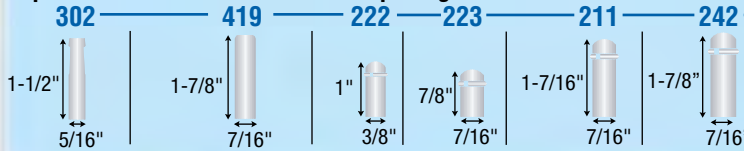
Grip Ring, Round and Grip Neck Swivel Models

Wheel Dia.	Tread Width	Tread Type	Finish	Bearing Type	Dynamic Load	Mounting Height	Swivel Radius	Part Number	Fastening Selection
3"	15/16"	Neoprene	Bright Chrome	Precision	110 lbs	4-3/16"	2-15/16"	PRS30__BC-NPR33(KK)	211,222,223,242,302,419
	15/16"	Vipor	Bright Chrome	Precision	120 lbs	4-3/16"	2-15/16"	PRS30__BC-VPR33(CK)	211,222,223,242,302,419
	13/16"	TPR (Black)	Black	Plain	110 lbs	4-3/16"	2-15/16"	PRS30__BK-TPR03(KK)	211,222,223,242,302,419
	13/16"	TPR (Gray)	Zinc Plated	Plain	110 lbs	4-3/16"	2-15/16"	PRS30__ZN-TPR03(GG)	211,222,223,242,302,419

Grip Ring, Round and Grip Neck Total Lock Models

3"	15/16"	Neoprene	Bright Chrome	Precision	110 lbs	4-3/16"	4"	PRT30__BC-NPR33(KK)	211,222,223,242,302,419
	15/16"	Vipor	Bright Chrome	Precision	120 lbs	4-3/16"	4"	PRT30__BC-VPR33(CK)	211,222,223,242,302,419
	13/16"	TPR (Black)	Black	Plain	110 lbs	4-3/16"	4"	PRT30__BK-TPR03(KK)	211,222,223,242,302,419
	13/16"	TPR (Gray)	Zinc Plated	Plain	110 lbs	4-3/16"	4"	PRT30__ZN-TPR03(GG)	211,222,223,242,302,419

Grip Neck Stem Round Stem Grip Ring Stems



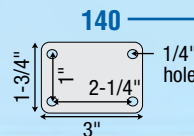
To order include fastener code.
 Example:
 PRS30**222**BC-NPR33(KK)

Swivel Top Plate Models

Wheel Dia.	Tread Width	Tread Type	Finish	Bearing Type	Dynamic Load	Mounting Height	Swivel Radius	Part Number	Fastening Selection
3"	15/16"	Neoprene	Bright Chrome	Precision	110 lbs	4-5/16"	2-15/16"	PRS30140BC-NPR33(KK)	140
	15/16"	Vipor	Bright Chrome	Precision	120 lbs	4-5/16"	2-15/16"	PRS30140BC-VPR33(CK)	140
	13/16"	TPR (Black)	Black	Plain	110 lbs	4-5/16"	2-15/16"	PRS30140BK-TPR03(KK)	140
	13/16"	TPR (Gray)	Zinc Plated	Plain	110 lbs	4-5/16"	2-15/16"	PRS30140ZN-TPR03(GG)	140

Swivel Top Plate Total Lock Models

3"	15/16"	Neoprene	Bright Chrome	Precision	110 lbs	4-5/16"	4"	PRT30140BC-NPR33(KK)	140
	15/16"	Vipor	Bright Chrome	Precision	120 lbs	4-5/16"	4"	PRT30140BC-VPR33(CK)	140
	13/16"	TPR (Black)	Black	Plain	110 lbs	4-5/16"	4"	PRT30140BK-TPR03(KK)	140
	13/16"	TPR (Gray)	Zinc Plated	Plain	110 lbs	4-5/16"	4"	PRT30140ZN-TPR03(GG)	140



Monarch Hooded Casters



Features

- Zinc finish
- Double ball bearing raceways
- Octagon washer on threaded stem for easy installation
- Heat Treated

Applications

- Fixtures
- Institutional Equipment
- Medical Equipment
- Equipment Carts
- Furniture

Options

Brakes: Friction brake on 2" and 2-1/2" models. Minimum order quantities.

Finishes: Polished Nickel [PN]. Replace standard Zinc [ZN] in Part Number with appropriate finish code. Minimum order quantities.

Fastenings: Others available. Consult factory.

Threaded Stem Washer Wrench: Holds caster in place while assembling to unit (see page 104). To order specify: [Wrench RE GS GT ZN].

RoHS Compliant: Available upon request.

Wheel Selection

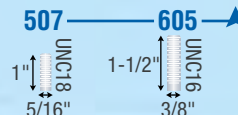


Soft Rubber conductive models available.



Threaded Stem Models

Wheel Dia.	Tread Width	Wheel Description	Dynamic Load	Mounting Height	Swivel Radius	Part Number	Fastening Selection
2"	13/16"	Soft Rubber	80 lbs	2-5/8"	2-1/16"	PMN20_ZN-3R	507, 605
	13/16"	TPR	80 lbs	2-5/8"	2-1/16"	PMN20_ZN-TPR	507, 605
	13/16"	Hard Rubber	90 lbs	2-5/8"	2-1/16"	PMN20_ZN-3H	507, 605
	13/16"	Polyurethane	90 lbs	2-5/8"	2-1/16"	PMN20_ZN-TPU	507, 605
	13/16"	Solid Polyolefin	90 lbs	2-5/8"	2-1/16"	PMN20_ZN-3ES	507, 605
	3/4"	Polyolefin	90 lbs	2-5/8"	2-1/16"	PMN20_ZN-3E	507, 605
	7/8"	Vipor	90 lbs	2-5/8"	2-1/16"	PMN20_ZN-VPR01(CG)	507, 605
2-1/2"	13/16"	Soft Rubber	80 lbs	3-1/8"	2-1/8"	PMN25_ZN-3R	507, 605
	13/16"	TPR	80 lbs	3-1/8"	2-1/8"	PMN25_ZN-TPR	507, 605
	13/16"	Hard Rubber	95 lbs	3-1/8"	2-1/8"	PMN25_ZN-3H	507, 605
	13/16"	Polyurethane	95 lbs	3-1/8"	2-1/8"	PMN25_ZN-TPU	507, 605
	13/16"	Polyolefin	95 lbs	3-1/8"	2-1/8"	PMN25_ZN-3E	507, 605
3"	13/16"	Soft Rubber	110 lbs	3-1/2"	2-1/2"	PMN30_ZN-3R	507, 605
	13/16"	TPR	110 lbs	3-1/2"	2-1/2"	PMN30_ZN-TPR	507, 605
	13/16"	Hard Rubber	120 lbs	3-1/2"	2-1/2"	PMN30_ZN-3H	507, 605
	13/16"	Polyurethane	120 lbs	3-1/2"	2-1/2"	PMN30_ZN-TPU	507, 605
	13/16"	Polyolefin	120 lbs	3-1/2"	2-1/2"	PMN30_ZN-3E	507, 605
	13/16"	Monotech	120 lbs	3-1/2"	2-1/2"	PMN30_ZN-MNT	507, 605
	13/16"	Vipor	120 lbs	3-1/2"	2-1/2"	PMN30_ZN-VPR01(CG)	507, 605



To order include fastener code.
Example: PMN20507ZN-3R.

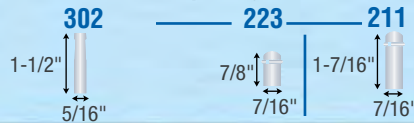
Monarch Hooded Casters



Grip Ring and Grip Neck Stem Models

Wheel Dia.	Tread Width	Wheel Description	Dynamic Load	Mounting Height	Swivel Radius	Part Number	Fastening Selection
2"	13/16"	Soft Rubber	80 lbs	2-5/8"	2-1/16"	PMN20_ZN-3R	302, 223, 211
	13/16"	TPR	80 lbs	2-5/8"	2-1/16"	PMN20_ZN-TPR	302, 223, 211
	13/16"	Hard Rubber	90 lbs	2-5/8"	2-1/16"	PMN20_ZN-3H	302, 223, 211
	13/16"	Polyurethane	90 lbs	2-5/8"	2-1/16"	PMN20_ZN-TPU	302, 223, 211
	13/16"	Solid Polyolefin	90 lbs	2-5/8"	2-1/16"	PMN20_ZN-3ES	302, 223, 211
	3/4"	Polyolefin	90 lbs	2-5/8"	2-1/16"	PMN20_ZN-3E	302, 223, 211
2-1/2"	13/16"	Soft Rubber	80 lbs	3-1/8"	2-1/8"	PMN25_ZN-3R	223, 211
	13/16"	TPR	80 lbs	3-1/8"	2-1/8"	PMN25_ZN-TPR	223, 211
	13/16"	Hard Rubber	95 lbs	3-1/8"	2-1/8"	PMN25_ZN-3H	223, 211
	13/16"	Polyurethane	95 lbs	3-1/8"	2-1/8"	PMN25_ZN-TPU	223, 211
3"	13/16"	Soft Rubber	110 lbs	3-1/2"	2-1/2"	PMN30_ZN-3R	223, 211
	13/16"	TPR	110 lbs	3-1/2"	2-1/2"	PMN30_ZN-TPR	223, 211
	13/16"	Hard Rubber	120 lbs	3-1/2"	2-1/2"	PMN30_ZN-3H	223, 211
	13/16"	Polyurethane	120 lbs	3-1/2"	2-1/2"	PMN30_ZN-TPU	223, 211
	13/16"	Polyolefin	120 lbs	3-1/2"	2-1/2"	PMN30_ZN-3E	223, 211
	13/16"	Monotech	120 lbs	3-1/2"	2-1/2"	PMN30_ZN-MMNT	223, 211
13/16"	Vipor	120 lbs	3-1/2"	2-1/2"	PMN30_ZN-VPR01(CG)	223, 211	

Grip Neck Stem Grip Ring Stems

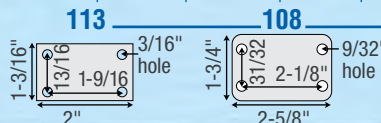


To order include fastener code.
Example: PMN20**223**ZN-3R.



Swivel Top Plate Models

Wheel Dia.	Tread Width	Wheel Description	Dynamic Load	Mounting Height	Swivel Radius	Part Number	Fastening Selection
2"	13/16"	Soft Rubber	80 lbs	2-5/8"	2-1/16"	PMN20_ZN-3R	113, 108
	13/16"	TPR	80 lbs	2-5/8"	2-1/16"	PMN20_ZN-TPR	113, 108
	13/16"	Hard Rubber	90 lbs	2-5/8"	2-1/16"	PMN20_ZN-3H	113, 108
	13/16"	Polyurethane	90 lbs	2-5/8"	2-1/16"	PMN20_ZN-TPU	113, 108
	13/16"	Solid Polyolefin	90 lbs	2-5/8"	2-1/16"	PMN20_ZN-3ES	113, 108
	3/4"	Polyolefin	90 lbs	2-5/8"	2-1/16"	PMN20_ZN-3E	113, 108
2-1/2"	13/16"	Soft Rubber	80 lbs	3-1/8"	2-1/8"	PMN25_ZN-3R	113, 108
	13/16"	TPR	80 lbs	3-1/8"	2-1/8"	PMN25_ZN-TPR	113, 108
	13/16"	Hard Rubber	95 lbs	3-1/8"	2-1/8"	PMN25_ZN-3H	113, 108
	13/16"	Polyurethane	95 lbs	3-1/8"	2-1/8"	PMN25_ZN-TPU	113, 108
3"	13/16"	Soft Rubber	110 lbs	3-1/2"	2-1/2"	PMN30_ZN-3R	113, 108
	13/16"	TPR	110 lbs	3-1/2"	2-1/2"	PMN30_ZN-TPR	113, 108
	13/16"	Hard Rubber	120 lbs	3-1/2"	2-1/2"	PMN30_ZN-3H	113, 108
	13/16"	Polyurethane	120 lbs	3-1/2"	2-1/2"	PMN30_ZN-TPU	113, 108
	13/16"	Polyolefin	120 lbs	3-1/2"	2-1/2"	PMN30_ZN-3E	113, 108
	13/16"	Monotech	120 lbs	3-1/2"	2-1/2"	PMN30_ZN-MMNT	113, 108
13/16"	Vipor	120 lbs	3-1/2"	2-1/2"	PMN30_ZN-VPR01(CG)	113, 108	



To order include fastener code.
Example: PMN20**113**ZN-3R.

Baron Spherical Wheel Casters



Features

- Double ball bearing raceways
- Octagon washer on threaded stem for easy installation
- 2" model is heat treated

Applications

- Furniture
- Fixtures
- Medical Equipment
- Office Equipment

Options

Finishes: Bright Chrome [BC], Metalized Brass [MB] and Windsor Antique [WA].
RoHS Compliant: Available upon request.

Wheel Selection



1-5/8" Spherical Soft Rubber

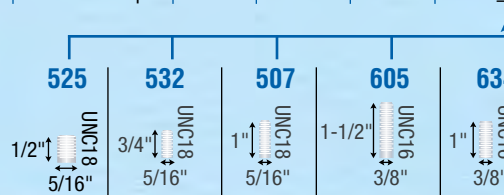


2" Spherical Polyolefin



Threaded Stem Models

Wheel Dia.	Wheel Description	Finish Option	Dynamic Load	Mounting Height	Swivel Radius	Part Number	Fastening Selection
1-5/8"	Spherical Soft Rubber	Metalized Brass	70 lbs	2-5/16"	1-3/4"	PBH16__MB-3RD	532, 507
	Spherical Soft Rubber	Windsor Antique	70 lbs	2-5/16"	1-3/4"	PBH16__WA-3RD	532, 507
2"	Spherical Polyolefin	Bright Chrome	80 lbs	2-5/8"	2-1/4"	PBH20__BC-3ED	525, 532, 507, 634, 605
	Spherical Polyolefin	Metalized Brass	80 lbs	2-5/8"	2-1/4"	PBH20__MB-3ED	525, 532, 507, 634, 605
	Spherical Polyolefin	Windsor Antique	80 lbs	2-5/8"	2-1/4"	PBH20__WA-3ED	525, 532, 507, 634, 605

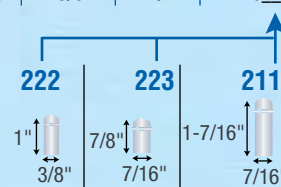


To order include fastener code.
 Example: PBH16532MB-3RD.



Grip Ring Stem Models

Wheel Dia.	Wheel Description	Finish Option	Dynamic Load	Mounting Height	Swivel Radius	Part Number	Fastening Selection
1-5/8"	Spherical Soft Rubber	Metalized Brass	70 lbs	2-5/16"	1-3/4"	PBH16__MB-3RD	223, 211
	Spherical Soft Rubber	Windsor Antique	70 lbs	2-5/16"	1-3/4"	PBH16__WA-3RD	223, 211
2"	Spherical Polyolefin	Bright Chrome	80 lbs	2-5/8"	2-1/4"	PBH20__BC-3ED	222, 223, 211
	Spherical Polyolefin	Metalized Brass	80 lbs	2-5/8"	2-1/4"	PBH20__MB-3ED	222, 223, 211
	Spherical Polyolefin	Windsor Antique	80 lbs	2-5/8"	2-1/4"	PBH20__WA-3ED	222, 223, 211



To order include fastener code.
 Example: PBH16223MB-3RD.

Baron Spherical Wheel Casters



Grip Neck Stem Models

Wheel Dia.	Wheel Description	Finish Option	Dynamic Load	Mounting Height	Swivel Radius	Part Number	Fastening Selection
1-5/8"	Spherical Soft Rubber	Metalized Brass	70 lbs	2-5/16"	1-3/4"	PBH16302MB-3RD	302
	Spherical Soft Rubber	Windsor Antique	70 lbs	2-5/16"	1-3/4"	PBH16302WA-3RD	302
2"	Spherical Polyolefin	Bright Chrome	80 lbs	2-5/8"	2-1/4"	PBH20302BC-3ED	302
	Spherical Polyolefin	Metalized Brass	80 lbs	2-5/8"	2-1/4"	PBH20302MB-3ED	302
	Spherical Polyolefin	Windsor Antique	80 lbs	2-5/8"	2-1/4"	PBH20302WA-3ED	302

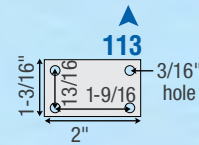


To order include fastener code.
Example:
PBH16302MB-3RD.



Swivel Top Plate Models

Wheel Dia.	Wheel Description	Finish Option	Dynamic Load	Mounting Height	Swivel Radius	Part Number	Fastening Selection
1-5/8"	Spherical Soft Rubber	Metalized Brass	70 lbs	2-5/16"	1-3/4"	PBH16113MB-3RD	113
	Spherical Soft Rubber	Windsor Antique	70 lbs	2-5/16"	1-3/4"	PBH16113WA-3RD	113
2"	Spherical Polyolefin	Bright Chrome	80 lbs	2-5/8"	2-1/4"	PBH20113BC-3ED	113
	Spherical Polyolefin	Metalized Brass	80 lbs	2-5/8"	2-1/4"	PBH20113MB-3ED	113
	Spherical Polyolefin	Windsor Antique	80 lbs	2-5/8"	2-1/4"	PBH20113WA-3ED	113



To order include fastener code.
Example:
PBH16113MB-3RD.

General Duty



Features

- Zinc finish
- RoHS Compliant
- Single race
- Nut and bolt axle
- Nickel plated kingpin for smooth swivel
- Economical

Applications

- Material Handling
- Institutional Equipment
- Industrial Equipment
- Furniture

Options

Brake: Brake option available on swivel models except steel wheel models.

Wheel Selection



Soft Rubber



Hard Rubber



Polyolefin



Steel



Friction Brake
Available on all swivel models. Swivel radius for 2" dia. model is 2-1/8", 3" dia. is 2-15/16", 2-1/2" dia. is 2-3/4" and 4" dia. is 3-9/16". Add [-B] at end of model.

Swivel Top Plate Models

Wheel Dia.	Tread Width	Tread Type	Dynamic Load	Mounting Height	Swivel Radius	Swivel Model Number	Top Plate Dimensions
2"	13/16"	Soft Rubber	90 lbs	2-1/2"	1-3/4"	PSQ20112ZN-3R	112: Swivel: 1-7/8" x 2-9/16" Bolt Spacing: (15/16" x 2-1/8") 1/4" Holes
	13/16"	Polyolefin	125 lbs	2-1/2"	1-3/4"	PSQ20112ZN-3E	
	13/16"	Hard Rubber	125 lbs	2-1/2"	1-3/4"	PSQ20112ZN-3H	
	13/16"	Steel	125 lbs	2-1/2"	1-3/4"	PSQ20112ZN-STL01(GG)	
2-1/2"	1-1/8"	Soft Rubber	100 lbs	3-1/4"	2-1/4"	PSQ25115ZN-3R	115: Swivel: 2-3/4" x 3-7/8" Bolt Spacing Swivel: (1-3/4" x 3") 5/16" Holes
	1-1/8"	Polyolefin	175 lbs	3-1/4"	2-1/4"	PSQ25115ZN-3E	
	1-1/8"	Hard Rubber	175 lbs	3-1/4"	2-1/4"	PSQ25115ZN-3H	
	1-1/8"	Steel	175 lbs	3-1/4"	2-1/4"	PSQ25115ZN-STL01(GG)	
3"	1-1/4"	Soft Rubber	150 lbs	3-13/16"	2-7/16"	PSQ30119ZN-3R	119: Swivel: 3-1/8" x 4-1/8" Bolt Swivel Spacing: (2-3/8" x 3-3/8" to 3-7/16") 5/16" Holes
	1-1/4"	Polyolefin	210 lbs	3-13/16"	2-7/16"	PSQ30119ZN-3E	
	1-1/4"	Hard Rubber	225 lbs	3-13/16"	2-7/16"	PSQ30119ZN-3H	
	1-1/4"	Steel	225 lbs	3-13/16"	2-7/16"	PSQ30119ZN-STL01(GG)	
4"	1-3/8"	Soft Rubber	200 lbs	5"	3-7/16"	PSQ40121ZN-3R	121: Swivel: 4" x 5-1/8" Bolt Swivel Spacing: (3" x 4") 3/8" Holes
	1-3/8"	Polyolefin	250 lbs	5"	3-7/16"	PSQ40121ZN-3E	
	1-3/8"	Hard Rubber	300 lbs	5"	3-7/16"	PSQ40121ZN-3H	

Rigid Top Plate Models



Wheel Dia.	Tread Width	Tread Type	Dynamic Load	Mounting Height	Rigid Model Number	Top Plate Dimensions
2"	13/16"	Soft Rubber	90 lbs	2-1/2"	PRQ20122ZN-3R	122: Rigid: 1-1/2" x 2-21/32" Bolt Spacing: (15/16" x 2-1/8") 1/4" Holes
	13/16"	Polyolefin	125 lbs	2-1/2"	PRQ20122ZN-3E	
	13/16"	Hard Rubber	125 lbs	2-1/2"	PRQ20122ZN-3H	
	13/16"	Steel	125 lbs	2-1/2"	PRQ20122ZN-STL01(GG)	
2-1/2"	1-1/8"	Soft Rubber	100 lbs	3-1/4"	PRQ25123ZN-3R	123: Rigid 2-1/8" x 4-3/8" Bolt Spacing Rigid: (1-1/16" x 3-1/2") 5/16" Holes
	1-1/8"	Polyolefin	175 lbs	3-1/4"	PRQ25123ZN-3E	
	1-1/8"	Hard Rubber	175 lbs	3-1/4"	PRQ25123ZN-3H	
	1-1/8"	Steel	175 lbs	3-1/4"	PRQ25123ZN-STL01(GG)	
3"	1-1/4"	Soft Rubber	150 lbs	3-13/16"	PRQ30124ZN-3R	124: Rigid: 2-5/16" x 4-7/8" Bolt Rigid Spacing: (1-3/16" x 4") 5/16" Holes
	1-1/4"	Polyolefin	210 lbs	3-13/16"	PRQ30124ZN-3E	
	1-1/4"	Hard Rubber	225 lbs	3-13/16"	PRQ30124ZN-3H	
	1-1/4"	Steel	225 lbs	3-13/16"	PRQ30124ZN-STL01(GG)	
4"	1-3/8"	Soft Rubber	200 lbs	5"	PRQ40125ZN-3R	125: Rigid: 3-1/16" x 6-1/8" Bolt Rigid Spacing: (1-3/4" x 5") 3/8" Holes
	1-3/8"	Polyolefin	250 lbs	5"	PRQ40125ZN-3E	
	1-3/8"	Hard Rubber	300 lbs	5"	PRQ40125ZN-3H	

Institutional



Features

- Constructed of high-strength steel for added durability
- NSF approved (less thread guards)
- Dual ball bearing raceway
- Zinc plated finish
- 3/8" diameter nut and bolt axle
- Thread guards standard on certain wheel types and sizes.

Applications

- Hospital Equipment
- Utility Carts
- Store Fixtures
- Institutional Equipment
- Office Equipment
- Food Service

Options

Brakes: Tread Lock, Top Lock, Total Lock (locks wheel and swivel), and Direction Lock (locks swivel only). To order, see individual specification pages.

Threaded Stem Washer Wrench: Holds castor in place while assembling to unit (see page 104). To order specify: [Wrench RE GS GT ZN].

RoHS Compliant: Available upon request.

Wheel Selection



Hard or Soft Rubber

Polyolefin

MonoTech Donut

MonoTech Flat

TPR Nylon Bearing

TPR Ball Bearing

TPR Precision Bearing

Urethane Blue Tread

Urethane Grey Tread

6" Vipor

6" Urethane Precision Bearing

6" Pneumatic Grey

6" Pneumatic Black

6" No-Matic Grey (Solid Rubber)

6" No-Matic Black (Solid Rubber)

Brake Selection



Total Lock Brake
Available on all fastenings. Locks both swivel and wheel.

Direction Lock Brake
Locks swivel only for easy tracking. Available on 5" wheel diameter plate models only. See page 34.

Top Lock Brake
Available on all fastenings. Easy access tread lock.

Tread Lock Brake
Available on all fastenings. Side access tread lock.

Euro-Style
Total Lock and direction Lock models available. See page 35.

Institutional Threaded Stem Models



Threaded Stem Models

Wheel Dia.	Tread Width	Tread Type	Bearing Type	Thread Guard	Dynamic Load	Mounting Height	Swivel Radius	Part Number	Fastening Selection
3"	1-1/4"	Hard Rubber	Plain	None	210	4-1/8"	2-7/8"	PGS30_ZN-HDR01(KK)	741, 748, 705
	1-1/4"	Polyolefin	Plain	None	250	4-1/8"	2-7/8"	PGS30_ZN-POD01(KK)	741, 748, 705
	1-1/4"	Soft Rubber	Plain	None	150	4-1/8"	2-7/8"	PGS30_ZN-SFR01(KK)	741, 748, 705
	1-1/4"	TPR	Nylon	None	210	4-1/8"	2-7/8"	PGS30_ZN-TPR11(GG)	741, 748, 705
	1-1/4"	TPR	Ball	None	210	4-1/8"	2-7/8"	PGS30_ZN-TPR21(GG)	741, 748, 705
	1-1/4"	TPR	Precision	Full	210	4-1/8"	2-7/8"	PGS30_ZN-TPR33(GG)	741, 748, 705
	1-1/4"	Urethane (Blue)	Ball	None	250	4-1/8"	2-7/8"	PGS30_ZN-TPU21(BG)	741, 748, 705
	1-1/4"	Urethane (Grey)	Ball	None	250	4-1/8"	2-7/8"	PGS30_ZN-TPU21(GG)	741, 748, 705
3-1/2"	1-1/4"	Hard Rubber	Plain	None	250	4-5/8"	3"	PGS35_ZN-HDR01(KK)	741, 748, 705
	1-1/4"	Soft Rubber	Plain	None	150	4-5/8"	3"	PGS35_ZN-SFR01(KK)	741, 748, 705
	1-1/4"	TPR	Nylon	None	250	4-5/8"	3"	PGS35_ZN-TPR11(GG)	741, 748, 705
	1-1/4"	TPR	Ball	Partial	250	4-5/8"	3"	PGS35_ZN-TPR22(GG)	741, 748, 705
	1-1/4"	MonoTech (Flat)	Precision	Partial	250	4-5/8"	3"	PGS35_ZN-FMT32(GG)	741, 748, 705
	1-1/4"	MonoTech (Flat)	Delrin	None	250	4-5/8"	3"	PGS35_ZN-FMT11(GG)	741, 748, 705
	1-1/4"	Urethane (Blue)	Ball	Partial	275	4-5/8"	3"	PGS35_ZN-TPU22(BG)	741, 748, 705
	1-1/4"	Urethane (Grey)	Ball	Partial	275	4-5/8"	3"	PGS35_ZN-TPU22(GG)	741, 748, 705
4"	1-1/4"	Hard Rubber	Plain	None	255	5-1/8"	3-3/8"	PGS40_ZN-HDR01(KK)	741, 748, 705
	1-1/4"	Polyolefin	Plain	None	275	5-1/8"	3-3/8"	PGS40_ZN-POD01(KK)	741, 748, 705
	1-1/4"	Soft Rubber	Plain	None	165	5-1/8"	3-3/8"	PGS40_ZN-SFR01(KK)	741, 748, 705
	1-1/4"	TPR	Nylon	None	260	5-1/8"	3-3/8"	PGS40_ZN-TPR11(GG)	741, 748, 705
	1-1/4"	TPR	Ball	Partial*	260	5-1/8"	3-3/8"	PGS40_ZN-TPR22(GG)	741, 748, 705
	1-1/4"	TPR	Precision	Full	260	5-1/8"	3-3/8"	PGS40_ZN-TPR33(GG)	741, 748, 705
	1-1/4"	MonoTech (Flat)	Precision	Partial	300	5-1/8"	3-3/8"	PGS40_ZN-FMT32(GG)	741, 748, 705
	1-1/4"	MonoTech (Flat)	Delrin	None	300	5-1/8"	3-3/8"	PGS40_ZN-FMT11(GG)	741, 748, 705
	1-1/4"	MonoTech (Donut)	Precision	Partial	250	5-1/8"	3-3/8"	PGS40_ZN-DMT32(GG)	741, 748, 705
	1-1/4"	MonoTech (Donut)	Delrin	None	250	5-1/8"	3-3/8"	PGS40_ZN-DMT11(GG)	741, 748, 705
	1-1/4"	Urethane (Blue)	Ball	Partial*	300	5-1/8"	3-3/8"	PGS40_ZN-TPU22(BG)	741, 748, 705
	1-1/4"	Urethane (Grey)	Ball	Partial*	300	5-1/8"	3-3/8"	PGS40_ZN-TPU22(GG)	741, 748, 705
5"	1-1/4"	Hard Rubber	Plain	None	280	6-1/8"	3-7/8"	PGS50_ZN-HDR01(KK)	741, 748, 705
	1-1/4"	Polyolefin	Plain	None	300	6-1/8"	3-7/8"	PGS50_ZN-POD01(KK)	741, 748, 705
	1-1/4"	Soft Rubber	Plain	None	200	6-1/8"	3-7/8"	PGS50_ZN-SFR01(KK)	741, 748, 705
	1-1/4"	TPR	Nylon	None	280	6-1/8"	3-7/8"	PGS50_ZN-TPR11(GG)	741, 748, 705
	1-1/4"	TPR	Ball	Partial*	280	6-1/8"	3-7/8"	PGS50_ZN-TPR22(GG)	741, 748, 705
	1-1/4"	TPR	Precision	Full	280	6-1/8"	3-7/8"	PGS50_ZN-TPR33(GG)	741, 748, 705
	1-1/4"	Urethane (Blue)	Ball	Partial*	315	6-1/8"	3-7/8"	PGS50_ZN-TPU22(BG)	741, 748, 705
	1-1/4"	Urethane (Grey)	Ball	Partial*	315	6-1/8"	3-7/8"	PGS50_ZN-TPU22(GG)	741, 748, 705
	1-1/4"	MonoTech (Flat)	Precision	Partial	325	6-1/8"	3-7/8"	PGS50_ZN-FMT32(GG)	741, 748, 705
	1-1/4"	MonoTech (Flat)	Delrin	None	325	6-1/8"	3-7/8"	PGS50_ZN-FMT11(GG)	741, 748, 705
	1-1/4"	MonoTech (Donut)	Precision	Partial	300	6-1/8"	3-7/8"	PGS50_ZN-DMT32(GG)	741, 748, 705
	1-1/4"	MonoTech (Donut)	Delrin	None	300	6-1/8"	3-7/8"	PGS50_ZN-DMT11(GG)	741, 748, 705
6"	1-1/4"	TPR	Precision	Full	300	7-1/8"	4-1/2"	PGS60_ZN-TPR33(GG)	741, 748
	1-1/4"	Urethane (Grey)	Precision	Full	300	7-1/8"	4-1/2"	PGS60_ZN-TPU33(GG)	741, 748
	1-1/4"	Pneumatic (Grey)	Ball	None	150	7-1/8"	4-1/2"	PGS60_ZN-PNU21(GG)	741, 748
	1-1/4"	Pneumatic (Black)	Ball	None	150	7-1/8"	4-1/2"	PGS60_ZN-PNU21(KG)	741, 748
	1-1/4"	MonoTech (Donut)	Precision	Partial	325	7-1/8"	4-1/2"	PGS60_ZN-DMT32(GG)	741, 748
	1-1/4"	MonoTech (Donut)	Delrin	None	325	7-1/8"	4-1/2"	PGS60_ZN-DMT11(GG)	741, 748
	1-1/4"	Vipor	Ball	None	300	7-1/8"	4-1/2"	PGS60_ZN-VPR21(GG)	741, 748
	1-1/4"	No-Matic (Black)	Ball	None	150	7-1/8"	4-1/2"	PGS60_ZN-NOM21(KG)	741, 748
	1-1/4"	No-Matic (Grey)	Ball	None	150	7-1/8"	4-1/2"	PGS60_ZN-NOM21(GG)	741, 748

Brake Options



Top Lock Brake Add
[TL] at end of model. Swivel radius 4-3/8".

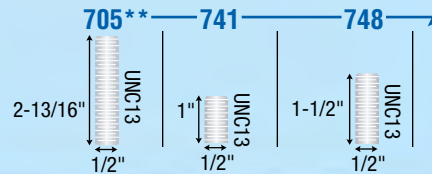
Tread Lock Brake Add [TB]
at end of model.



Total Lock Brake
Change 3rd digit to "T".
Swivel radius 4-3/8".
Example:
PGT40741ZN-POD01(KK).

*To order 3-1/2", 4" and 5" TPR ball bearing wheels less thread guard change 15th digit to "1" (Example PGS40741ZN-TPR21(GG)).

**705 is threaded bolt inserted through kingpin of caster.



To order include fastener code.
Example:
PGS30**741**ZN-HDR01(KK)

Institutional Grip Ring Stem Models



Grip Ring Stem Models

Wheel Dia.	Tread Width	Tread Type	Bearing Type	Thread Guard	Dynamic Load	Mounting Height	Swivel Radius	Part Number	Fastening Selection
3"	1-1/4"	Hard Rubber	Plain	None	210	4-1/8"	2-7/8"	PGS30_ZN-HDR01(KK)	291
	1-1/4"	Polyolefin	Plain	None	250	4-1/8"	2-7/8"	PGS30_ZN-POD01(KK)	291
	1-1/4"	Soft Rubber	Plain	None	150	4-1/8"	2-7/8"	PGS30_ZN-SFR01(KK)	291
	1-1/4"	TPR	Nylon	None	210	4-1/8"	2-7/8"	PGS30_ZN-TPR11(GG)	291
	1-1/4"	TPR	Ball	None	210	4-1/8"	2-7/8"	PGS30_ZN-TPR21(GG)	291
	1-1/4"	TPR	Precision	Full	210	4-1/8"	2-7/8"	PGS30_ZN-TPR33(GG)	291
	1-1/4"	Urethane (Blue)	Ball	None	250	4-1/8"	2-7/8"	PGS30_ZN-TPU21(BG)	291
	1-1/4"	Urethane (Grey)	Ball	None	250	4-1/8"	2-7/8"	PGS30_ZN-TPU21(GG)	291
3-1/2"	1-1/4"	Hard Rubber	Plain	None	250	4-5/8"	3"	PGS35_ZN-HDR01(KK)	291
	1-1/4"	Soft Rubber	Plain	None	150	4-5/8"	3"	PGS35_ZN-SFR01(KK)	291
	1-1/4"	TPR	Nylon	None	250	4-5/8"	3"	PGS35_ZN-TPR11(GG)	291
	1-1/4"	TPR	Ball	Partial	250	4-5/8"	3"	PGS35_ZN-TPR22(GG)	291
	1-1/4"	MonoTech (Flat)	Precision	Partial	250	4-5/8"	3"	PGS35_ZN-FMT32(GG)	291
	1-1/4"	MonoTech (Flat)	Delrin	None	250	4-5/8"	3"	PGS35_ZN-FMT11(GG)	291
	1-1/4"	Urethane (Blue)	Ball	None	275	4-5/8"	3"	PGS35_ZN-TPU21(BG)	291
	1-1/4"	Urethane (Grey)	Ball	None	275	4-5/8"	3"	PGS35_ZN-TPU21(GG)	291
4"	1-1/4"	Hard Rubber	Plain	None	255	5-1/8"	3-3/8"	PGS40_ZN-HDR01(KK)	291
	1-1/4"	Polyolefin	Plain	None	275	5-1/8"	3-3/8"	PGS40_ZN-POD01(KK)	291
	1-1/4"	Soft Rubber	Plain	None	165	5-1/8"	3-3/8"	PGS40_ZN-SFR01(KK)	291
	1-1/4"	TPR	Nylon	None	260	5-1/8"	3-3/8"	PGS40_ZN-TPR11(GG)	291
	1-1/4"	TPR	Ball	Partial*	260	5-1/8"	3-3/8"	PGS40_ZN-TPR22(GG)	291
	1-1/4"	TPR	Precision	Full	260	5-1/8"	3-3/8"	PGS40_ZN-TPR33(GG)	291
	1-1/4"	MonoTech (Flat)	Precision	Partial	300	5-1/8"	3-3/8"	PGS40_ZN-FMT32(GG)	291
	1-1/4"	MonoTech (Flat)	Delrin	None	300	5-1/8"	3-3/8"	PGS40_ZN-FMT11(GG)	291
	1-1/4"	MonoTech (Donut)	Precision	Partial	250	5-1/8"	3-3/8"	PGS40_ZN-DMT32(GG)	291
	1-1/4"	MonoTech (Donut)	Delrin	None	250	5-1/8"	3-3/8"	PGS40_ZN-DMT11(GG)	291
	1-1/4"	Urethane (Blue)	Ball	Partial*	300	5-1/8"	3-3/8"	PGS40_ZN-TPU22(BG)	291
	1-1/4"	Urethane (Grey)	Ball	Partial*	300	5-1/8"	3-3/8"	PGS40_ZN-TPU22(GG)	291
5"	1-1/4"	Hard Rubber	Plain	None	280	6-1/8"	3-7/8"	PGS50_ZN-HDR01(KK)	291
	1-1/4"	Polyolefin	Plain	None	300	6-1/8"	3-7/8"	PGS50_ZN-POD01(KK)	291
	1-1/4"	Soft Rubber	Plain	None	200	6-1/8"	3-7/8"	PGS50_ZN-SFR01(KK)	291
	1-1/4"	TPR	Nylon	None	280	6-1/8"	3-7/8"	PGS50_ZN-TPR11(GG)	291
	1-1/4"	TPR	Ball	Partial*	280	6-1/8"	3-7/8"	PGS50_ZN-TPR22(GG)	291
	1-1/4"	TPR	Precision	Full	280	6-1/8"	3-7/8"	PGS50_ZN-TPR33(GG)	291
	1-1/4"	MonoTech (Flat)	Precision	Partial	325	6-1/8"	3-7/8"	PGS50_ZN-FMT32(GG)	291
	1-1/4"	MonoTech (Flat)	Delrin	None	325	6-1/8"	3-7/8"	PGS50_ZN-FMT11(GG)	291
	1-1/4"	MonoTech (Donut)	Precision	Partial	300	6-1/8"	3-7/8"	PGS50_ZN-DMT32(GG)	291
	1-1/4"	MonoTech (Donut)	Delrin	None	300	6-1/8"	3-7/8"	PGS50_ZN-DMT11(GG)	291
	1-1/4"	Urethane (Blue)	Ball	Partial*	315	6-1/8"	3-7/8"	PGS50_ZN-TPU22(BG)	291
	1-1/4"	Urethane (Grey)	Ball	Partial*	315	6-1/8"	3-7/8"	PGS50_ZN-TPU22(GG)	291
6"	1-1/4"	TPR	Precision	Full	300	7-1/8"	4-1/2"	PGS60_ZN-TPR33(GG)	273
	1-1/4"	Urethane (Grey)	Precision	Full	300	7-1/8"	4-1/2"	PGS60_ZN-TPU33(GG)	273
	1-1/4"	Pneumatic (Grey)	Ball	None	150	7-1/8"	4-1/2"	PGS60_ZN-PNU21(GG)	273
	1-1/4"	Pneumatic (Black)	Ball	None	150	7-1/8"	4-1/2"	PGS60_ZN-PNU21(KG)	273
	1-1/4"	MonoTech (Donut)	Precision	Partial	325	7-1/8"	4-1/2"	PGS60_ZN-DMT32(GG)	273
	1-1/4"	MonoTech (Donut)	Delrin	None	325	7-1/8"	4-1/2"	PGS60_ZN-DMT11(GG)	273
	1-1/4"	Vipor	Ball	None	300	7-1/8"	4-1/2"	PGS60_ZN-VPR21(CG)	273
	1-1/4"	No-Matic (Black)	Ball	None	150	7-1/8"	4-1/2"	PGS60_ZN-NOM21(KG)	273
	1-1/4"	No-Matic (Grey)	Ball	None	150	7-1/8"	4-1/2"	PGS60_ZN-NOM21(GG)	273

Brake Options



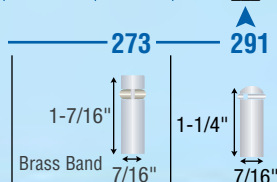
Top Lock Brake Add [TL] at end of model. Swivel radius 4-3/8".

Tread Lock Brake Add [TB] at end of model.



Total Lock Brake
Change 3rd digit to "T".
Swivel radius 4-3/8".
Example:
PGT40291ZN-DMT32(GG).

To order 3-1/2", 4" and 5" TPR ball bearing wheels less thread guard change 15th digit to "1". Example PGS40291ZN-TPR21(GG).



Institutional Hollow Kingpin and Expanding Adapter Models



Hollow Kingpin Models

Wheel Dia.	Tread Width	Tread Type	Bearing Type	Thread Guard	Dynamic Load	Mounting Height	Swivel Radius	Part Number	Fastening Selection	
3"	1-1/4"	Hard Rubber	Plain	None	210	4-1/8"	2-7/8"	PGS30_ZN-HDR01(KK)	400-455	
	1-1/4"	Polyolefin	Plain	None	250	4-1/8"	2-7/8"	PGS30_ZN-POD01(KK)	400-455	
	1-1/4"	Soft Rubber	Plain	None	150	4-1/8"	2-7/8"	PGS30_ZN-SFR01(KK)	400-455	
	1-1/4"	TPR	Nylon	None	210	4-1/8"	2-7/8"	PGS30_ZN-TPR11(GG)	400-455	
	1-1/4"	TPR	Ball	None	210	4-1/8"	2-7/8"	PGS30_ZN-TPR21(GG)	400-455	
	1-1/4"	TPR	Precision	Full	210	4-1/8"	2-7/8"	PGS30_ZN-TPR33(GG)	400-455	
	1-1/4"	Urethane (Blue)	Ball	None	250	4-1/8"	2-7/8"	PGS30_ZN-TPU21(BG)	400-455	
	1-1/4"	Urethane (Grey)	Ball	None	250	4-1/8"	2-7/8"	PGS30_ZN-TPU21(GG)	400-455	
3-1/2"	1-1/4"	Hard Rubber	Plain	None	250	4-5/8"	3"	PGS35_ZN-HDR01(KK)	400-455	
	1-1/4"	Soft Rubber	Plain	None	150	4-5/8"	3"	PGS35_ZN-SFR01(KK)	400-455	
	1-1/4"	TPR	Nylon	None	250	4-5/8"	3"	PGS35_ZN-TPR11(GG)	400-455	
	1-1/4"	TPR	Ball	Partial	250	4-5/8"	3"	PGS35_ZN-TPR22(GG)	400-455	
	1-1/4"	MonoTech (Flat)	Precision	Partial	250	4-5/8"	3"	PGS35_ZN-FMT32(GG)	400-455	
	1-1/4"	MonoTech (Flat)	Delrin	None	250	4-5/8"	3"	PGS35_ZN-FMT11(GG)	400-455	
	1-1/4"	Urethane (Blue)	Ball	Partial	275	4-5/8"	3"	PGS35_ZN-TPU22(BG)	400-455	
	1-1/4"	Urethane (Grey)	Ball	Partial	275	4-5/8"	3"	PGS35_ZN-TPU22(GG)	400-455	
4"	1-1/4"	Hard Rubber	Plain	None	255	5-1/8"	3-3/8"	PGS40_ZN-HDR01(KK)	400-455	
	1-1/4"	Polyolefin	Plain	None	275	5-1/8"	3-3/8"	PGS40_ZN-POD01(KK)	400-455	
	1-1/4"	Soft Rubber	Plain	None	165	5-1/8"	3-3/8"	PGS40_ZN-SFR01(KK)	400-455	
	1-1/4"	TPR	Nylon	None	260	5-1/8"	3-3/8"	PGS40_ZN-TPR11(GG)	400-455	
	1-1/4"	TPR	Ball	Partial*	260	5-1/8"	3-3/8"	PGS40_ZN-TPR22(GG)	400-455	
	1-1/4"	TPR	Ball	Full	260	5-1/8"	3-3/8"	PGS40_ZN-TPR33(GG)	400-455	
	1-1/4"	MonoTech (Flat)	Precision	Partial	300	5-1/8"	3-3/8"	PGS40_ZN-FMT32(GG)	400-455	
	1-1/4"	MonoTech (Flat)	Delrin	None	300	5-1/8"	3-3/8"	PGS40_ZN-FMT11(GG)	400-455	
	1-1/4"	MonoTech (Donut)	Precision	Partial	250	5-1/8"	3-3/8"	PGS40_ZN-DMT32(GG)	400-455	
	1-1/4"	MonoTech (Donut)	Delrin	None	250	5-1/8"	3-3/8"	PGS40_ZN-DMT11(GG)	400-455	
	1-1/4"	Urethane (Blue)	Ball	Partial*	300	5-1/8"	3-3/8"	PGS40_ZN-TPU22(BG)	400-455	
	1-1/4"	Urethane (Grey)	Ball	Partial*	300	5-1/8"	3-3/8"	PGS40_ZN-TPU22(GG)	400-455	
	5"	1-1/4"	Hard Rubber	Plain	None	280	6-1/8"	3-7/8"	PGS50_ZN-HDR01(KK)	400-455
		1-1/4"	Polyolefin	Plain	None	300	6-1/8"	3-7/8"	PGS50_ZN-POD01(KK)	400-455
1-1/4"		Soft Rubber	Plain	None	200	6-1/8"	3-7/8"	PGS50_ZN-SFR01(KK)	400-455	
1-1/4"		TPR	Nylon	None	280	6-1/8"	3-7/8"	PGS50_ZN-TPR11(GG)	400-455	
1-1/4"		TPR	Ball	Partial*	280	6-1/8"	3-7/8"	PGS50_ZN-TPR22(GG)	400-455	
1-1/4"		TPR	Precision	Full	280	6-1/8"	3-7/8"	PGS50_ZN-TPR33(GG)	400-455	
1-1/4"		MonoTech (Flat)	Precision	Partial	325	6-1/8"	3-7/8"	PGS50_ZN-FMT32(GG)	400-455	
1-1/4"		MonoTech (Flat)	Delrin	None	325	6-1/8"	3-7/8"	PGS50_ZN-FMT11(GG)	400-455	
1-1/4"		MonoTech (Donut)	Precision	Partial	300	6-1/8"	3-7/8"	PGS50_ZN-DMT32(GG)	400-455	
1-1/4"		MonoTech (Donut)	Delrin	None	300	6-1/8"	3-7/8"	PGS50_ZN-DMT11(GG)	400-455	
1-1/4"		Urethane (Blue)	Ball	Partial*	315	6-1/8"	3-7/8"	PGS50_ZN-TPU22(BG)	400-455	
1-1/4"		Urethane (Grey)	Ball	Partial*	315	6-1/8"	3-7/8"	PGS50_ZN-TPU22(GG)	400-455	
6"		1-1/4"	TPR	Precision	Full	300	7-1/8"	4-1/2"	PGS60_ZN-TPR33(GG)	400-455
		1-1/4"	Urethane (Grey)	Precision	Full	300	7-1/8"	4-1/2"	PGS60_ZN-TPU33(GG)	400-455
	1-1/4"	Pneumatic (Grey)	Ball	None	150	7-1/8"	4-1/2"	PGS60_ZN-PNU21(GG)	400-455	
	1-1/4"	Pneumatic (Black)	Ball	None	150	7-1/8"	4-1/2"	PGS60_ZN-PNU21(KG)	400-455	
	1-1/4"	MonoTech (Donut)	Precision	Partial	325	7-1/8"	4-1/2"	PGS60_ZN-DMT32(GG)	400-455	
	1-1/4"	MonoTech (Donut)	Delrin	None	325	7-1/8"	4-1/2"	PGS60_ZN-DMT11(GG)	400-455	
	1-1/4"	Vipor	Ball	None	300	7-1/8"	4-1/2"	PGS60_ZN-VPR21(GG)	400-455	
	1-1/4"	No-Matic (Black)	Ball	None	150	7-1/8"	4-1/2"	PGS60_ZN-NOM21(KG)	400-455	
	1-1/4"	No-Matic (Grey)	Ball	None	150	7-1/8"	4-1/2"	PGS60_ZN-NOM21(GG)	400-455	

*To order 3-1/2", 4" and 5" TPR ball bearing wheels less thread guard change 15th digit to "1"(Example PGS40400ZN-TPR21(GG)).

Brake Options



Top Lock Brake
Add [TL] at end of model. Swivel radius 4-3/8".

Tread Lock Brake
Add [TB] at end of model.



Total Lock Brake
Change 3rd digit to "T". Swivel radius 4-3/8".
Example: PGT40400ZN-TPU22(BG).

Hollow Kingpin models.
To order include fastener code.
Example: PGS30**400**ZN-HDR01(KK).



Expanding Adapter models.
To order include fastener code.
Example: PGS30**440**ZN-HDR01(KK).



Fits Round Tube

Tube Diameter Range	Code
3/4"-13/16"	440
7/8"-15/16"	441
1" - 1-1/16"	442
1-1/8" - 1-3/16"	443
1-1/4" - 1-5/16"	444
1-3/8" - 1-7/16"	445
1-1/2" - 1-9/16"	446
1-5/8" - 1-11/16"	447

Fits Square Tube

Tube Diameter Range	Code
7/8"-15/16"	451
1" - 1-1/16"	452
1-1/8" - 1-3/16"	453
1-1/4" - 1-5/16"	454
1-3/8" - 1-7/16"	455

Institutional Plate Models (Swivel, Rigid, Total Lock, Direction Lock)



Swivel Top Plate Models

Wheel Dia.	Tread Width	Tread Type	Bearing Type	Thread Guard	Dynamic Load	Mounting Height	Swivel Radius	Part Number	Fastening Selection	
3"	1-1/4"	Hard Rubber	Plain	None	210	4-1/4"	2-7/8"	PGS30120ZN-HDR01(KK)	120	
	1-1/4"	Polyolefin	Plain	None	250	4-1/4"	2-7/8"	PGS30120ZN-POD01(KK)	120	
	1-1/4"	Soft Rubber	Plain	None	150	4-1/4"	2-7/8"	PGS30120ZN-SFR01(KK)	120	
	1-1/4"	TPR	Nylon	None	210	4-1/4"	2-7/8"	PGS30120ZN-TPR11(GG)	120	
	1-1/4"	TPR	Ball	None	210	4-1/4"	2-7/8"	PGS30120ZN-TPR21(GG)	120	
	1-1/4"	TPR	Precision	Full	210	4-1/4"	2-7/8"	PGS30120ZN-TPR33(GG)	120	
	1-1/4"	Urethane (Blue)	Ball	None	250	4-1/4"	2-7/8"	PGS30120ZN-TPU21(BG)	120	
	1-1/4"	Urethane (Grey)	Ball	None	250	4-1/4"	2-7/8"	PGS30120ZN-TPU21(GG)	120	
3-1/2"	1-1/4"	Hard Rubber	Plain	None	250	4-3/4"	3"	PGS35120ZN-HDR01(KK)	120	
	1-1/4"	Soft Rubber	Plain	None	150	4-3/4"	3"	PGS35120ZN-SFR01(KK)	120	
	1-1/4"	TPR	Nylon	None	250	4-3/4"	3"	PGS35120ZN-TPR11(GG)	120	
	1-1/4"	TPR	Ball	Partial	250	4-3/4"	3"	PGS35120ZN-TPR22(GG)	120	
	1-1/4"	MonoTech (Flat)	Precision	Partial	250	4-3/4"	3"	PGS35120ZN-FMT32(GG)	120	
	1-1/4"	MonoTech (Flat)	Delrin	None	250	4-3/4"	3"	PGS35120ZN-FMT11(GG)	120	
	1-1/4"	Urethane (Blue)	Ball	Partial	275	4-3/4"	3"	PGS35120ZN-TPU22(BG)	120	
	1-1/4"	Urethane (Grey)	Ball	Partial	275	4-3/4"	3"	PGS35120ZN-TPU22(GG)	120	
4"	1-1/4"	Hard Rubber	Plain	None	255	5-1/4"	3-3/8"	PGS40120ZN-HDR01(KK)	120	
	1-1/4"	Polyolefin	Plain	None	275	5-1/4"	3-3/8"	PGS40120ZN-POD01(KK)	120	
	1-1/4"	Soft Rubber	Plain	None	165	5-1/4"	3-3/8"	PGS40120ZN-SFR01(KK)	120	
	1-1/4"	TPR	Nylon	None	260	5-1/4"	3-3/8"	PGS40120ZN-TPR11(GG)	120	
	1-1/4"	TPR	Ball	Partial*	260	5-1/4"	3-3/8"	PGS40120ZN-TPR22(GG)	120	
	1-1/4"	TPR	Precision	Full	260	5-1/4"	3-3/8"	PGS40120ZN-TPR33(GG)	120	
	1-1/4"	MonoTech (Flat)	Precision	Partial	300	5-1/4"	3-3/8"	PGS40120ZN-FMT32(GG)	120	
	1-1/4"	MonoTech (Flat)	Delrin	None	300	5-1/4"	3-3/8"	PGS40120ZN-FMT11(GG)	120	
	1-1/4"	MonoTech (Donut)	Precision	Partial	250	5-1/4"	3-3/8"	PGS40120ZN-DMT32(GG)	120	
	1-1/4"	MonoTech (Donut)	Delrin	None	250	5-1/4"	3-3/8"	PGS40120ZN-DMT11(GG)	120	
	1-1/4"	Urethane (Blue)	Ball	Partial*	300	5-1/4"	3-3/8"	PGS40120ZN-TPU22(BG)	120	
	1-1/4"	Urethane (Grey)	Ball	Partial*	300	5-1/4"	3-3/8"	PGS40120ZN-TPU22(GG)	120	
	5"	1-1/4"	Hard Rubber	Plain	None	280	6-1/4"	3-7/8"	PGS50120ZN-HDR01(KK)	120
		1-1/4"	Polyolefin	Plain	None	300	6-1/4"	3-7/8"	PGS50120ZN-POD01(KK)	120
1-1/4"		Soft Rubber	Plain	None	200	6-1/4"	3-7/8"	PGS50120ZN-SFR01(KK)	120	
1-1/4"		TPR	Nylon	None	280	6-1/4"	3-7/8"	PGS50120ZN-TPR11(GG)	120	
1-1/4"		TPR	Ball	Partial*	280	6-1/4"	3-7/8"	PGS50120ZN-TPR22(GG)	120	
1-1/4"		TPR	Precision	Full	280	6-1/4"	3-7/8"	PGS50120ZN-TPR33(GG)	120	
1-1/4"		MonoTech (Flat)	Precision	Partial	325	6-1/4"	3-7/8"	PGS50120ZN-FMT32(GG)	120	
1-1/4"		MonoTech (Flat)	Delrin	None	325	6-1/4"	3-7/8"	PGS50120ZN-FMT11(GG)	120	
1-1/4"		MonoTech (Donut)	Precision	Partial	300	6-1/4"	3-7/8"	PGS50120ZN-DMT32(GG)	120	
1-1/4"		MonoTech (Donut)	Delrin	None	300	6-1/4"	3-7/8"	PGS50120ZN-DMT11(GG)	120	
1-1/4"		Urethane (Blue)	Ball	Partial*	315	6-1/4"	3-7/8"	PGS50120ZN-TPU22(BG)	120	
1-1/4"		Urethane (Grey)	Ball	Partial*	315	6-1/4"	3-7/8"	PGS50120ZN-TPU22(GG)	120	
6"		1-1/4"	TPR	Precision	Full	300	7-1/4"	4-1/2"	PGS60120ZN-TPR33(GG)	120
		1-1/4"	Urethane (Grey)	Precision	Full	300	7-1/4"	4-1/2"	PGS60120ZN-TPU33(GG)	120
	1-1/4"	Pneumatic (Grey)	Ball	None	150	7-1/4"	4-1/2"	PGS60120ZN-PNU21(GG)	120	
	1-1/4"	Pneumatic (Black)	Ball	None	150	7-1/4"	4-1/2"	PGS60120ZN-PNU21(KG)	120	
	1-1/4"	MonoTech (Donut)	Precision	Partial	325	7-1/4"	4-1/2"	PGS60120ZN-DMT32(GG)	120	
	1-1/4"	MonoTech (Donut)	Delrin	None	325	7-1/4"	4-1/2"	PGS60120ZN-DMT11(GG)	120	
	1-1/4"	Vipor	Ball	None	300	7-1/4"	4-1/2"	PGS60120ZN-VPR21(GG)	120	
	1-1/4"	No-Matic (Black)	Ball	None	150	7-1/4"	4-1/2"	PGS60120ZN-NOM21(KG)	120	
	1-1/4"	No-Matic (Grey)	Ball	None	150	7-1/4"	4-1/2"	PGS60120ZN-NOM21(GG)	120	

Brake Options



Top Lock Brake
Add [TL] at end of model. Swivel radius 4-3/8".

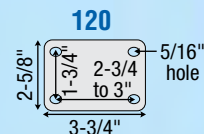
Tread Lock Brake
Add [TB] at end of model.



Total Lock Brake
Change 3rd digit to "T". Swivel radius 4-3/8". Example: PGT30120ZN-TPR11(GG).

Direction Lock Brake
Available in 5" wheel dia. models only. Change 3rd digit to "D". Swivel radius 4-3/8". Example: PGD50120ZN-TPR11(GG).

Swivel Plate (PGS shown in chart) — Rigid Plate (Change to PGR) — Total Lock Brake (Change to PGT) — Direction Lock Brake (Change to PGD 5" only)



*To order 3-1/2", 4" and 5" TPR ball bearing wheels less thread guard change 15th digit to "1". Example PGS401201ZN-TPR21(GG).



Wheel Dia.	Tread Width	Tread Type	Bearing Type	Thread Guard	Dynamic Load	Mounting Height	Swivel Radius	Part Number	Fastening Selection
------------	-------------	------------	--------------	--------------	--------------	-----------------	---------------	-------------	---------------------

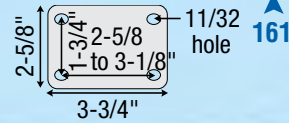
Total Lock Top Plate Models

5"	1-1/4"	TPR	Precision	Full	280	6-1/4"	5"	PAT50161TZ-TPR33(GG)	161
	1-1/4"	TPR	Ball	Partial*	280	6-1/4"	5"	PAT50161TZ-TPR22(GG)	161
	1-1/4"	TPR	Nylon	None	280	6-1/4"	5"	PAT50161TZ-TPR11(GG)	161
	1-1/4"	Urethane (Blue)	Ball	Partial*	315	6-1/4"	5"	PAT50161TZ-TPU22(BG)	161
	1-1/4"	Urethane (Grey)	Ball	Partial*	315	6-1/4"	5"	PAT50161TZ-TPU22(GG)	161
	1-1/4"	Soft Rubber	Plain	None	200	6-1/4"	5"	PAT50161TZ-SFR01(KK)	161
	1-1/4"	MonoTech (Flat)	Precision	Partial	325	6-1/4"	5"	PAT50161TZ-FMT32(GG)	161
	1-1/4"	MonoTech (Flat)	Delrin	None	325	6-1/4"	5"	PAT50161TZ-FMT11(GG)	161
	1-1/4"	MonoTech (Donut)	Precision	Partial	300	6-1/4"	5"	PAT50161TZ-DMT32(GG)	161
	1-1/4"	MonoTech (Donut)	Delrin	None	300	6-1/4"	5"	PAT50161TZ-DMT11(GG)	161

Direction Lock Top Plate Models (Green Pedal)

5"	1-1/4"	TPR	Precision	Full	280	6-1/4"	5"	PAD50161TZ-TPR33(GG)	161
	1-1/4"	TPR	Ball	Partial*	280	6-1/4"	5"	PAD50161TZ-TPR22(GG)	161
	1-1/4"	TPR	Nylon	None	280	6-1/4"	5"	PAD50161TZ-TPR11(GG)	161
	1-1/4"	Urethane (Grey)	Ball	Partial*	315	6-1/4"	5"	PAD50161TZ-TPU22(GG)	161
	1-1/4"	Urethane (Blue)	Ball	Partial*	315	6-1/4"	5"	PAD50161TZ-TPU22(BG)	161
	1-1/4"	Soft Rubber	Plain	None	200	6-1/4"	5"	PAD50161TZ-SFR01(KK)	161
	1-1/4"	MonoTech (Flat)	Precision	None	325	6-1/4"	5"	PAD50161TZ-FMT32(GG)	161
	1-1/4"	MonoTech (Flat)	Delrin	None	325	6-1/4"	5"	PAD50161TZ-FMT11(GG)	161
	1-1/4"	MonoTech (Donut)	Precision	None	300	6-1/4"	5"	PAD50161TZ-DMT32(GG)	161
	1-1/4"	MonoTech (Donut)	Delrin	None	300	6-1/4"	5"	PAD50161TZ-DMT11(GG)	161

*To order TPR ball bearing wheels less thread guard change 15th digit to "1"
(Example : PAT50161TZ-TPR21(GG)).



HDI Heavy Duty Institutional Casters



Features	Applications	Options
<ul style="list-style-type: none"> • 1-1/2" tread width • High strength steel for added durability • Dual ball bearing raceway • Zinc plated finish • 3/8" diameter nut and bolt axle • RoHS Compliant 	<ul style="list-style-type: none"> • Hospital Equipment • Utility Carts • Warehouse Nurseries • Institutional Equipment • Office Equipment • Food Service 	<p>Brakes: Tread Lock. To order, see individual specification pages.</p> <p>Total Lock coming soon.</p> <p>Expanding adapter casters available, contact factory.</p>

Wheel Selection



TPR



TPU



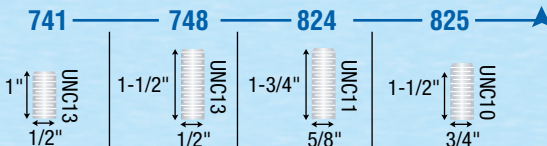
Phenolic



Tread Lock
Brake add [TB]
 at end of model.

Threaded Stem Models

Wheel Dia.	Tread Width	Tread Type	Bearing Type	Dynamic Load	Mounting Height	Swivel Radius	Part Number	Fastening Selection
4"	1-1/2"	TPR	Nylon	250 lbs	5-3/16"	3-3/8"	HDS40_TZ-TPR11(GG)	741,748,824,825
	1-1/2"	TPR	Roller	250 lbs	5-3/16"	3-3/8"	HDS40_TZ-TPR81(GG)	741,748,824,825
	1-1/2"	TPU	Nylon	400 lbs	5-3/16"	3-3/8"	HDS40_TZ-TPU11(GG)	741,748,824,825
	1-1/2"	TPU	Roller	400 lbs	5-3/16"	3-3/8"	HDS40_TZ-TPR81(GG)	741,748,824,825
	1-1/2"	Phenolic	Nylon	400 lbs	5-3/16"	3-3/8"	HDS40_TZ-PHN11(KK)	741,748,824,825
	1-1/2"	Phenolic	Roller	400 lbs	5-3/16"	3-3/8"	HDS40_TZ-PHN81(KK)	741,748,824,825
5"	1-1/2"	TPR	Nylon	250 lbs	6-3/16"	3-7/8"	HDS50_TZ-TPR11(GG)	741,748,824,825
	1-1/2"	TPR	Roller	250 lbs	6-3/16"	3-7/8"	HDS50_TZ-TPR81(GG)	741,748,824,825
	1-1/2"	TPU	Nylon	400 lbs	6-3/16"	3-7/8"	HDS50_TZ-TPU11(GG)	741,748,824,825
	1-1/2"	TPU	Roller	400 lbs	6-3/16"	3-7/8"	HDS50_TZ-TPR81(GG)	741,748,824,825
	1-1/2"	Phenolic	Nylon	400 lbs	6-3/16"	3-7/8"	HDS50_TZ-PHN11(KK)	741,748,824,825
	1-1/2"	Phenolic	Roller	400 lbs	6-3/16"	3-7/8"	HDS50_TZ-PHN81(KK)	741,748,824,825



To order include fastener code.
 Example: HDS40**741**TZ-TPR11(GG)

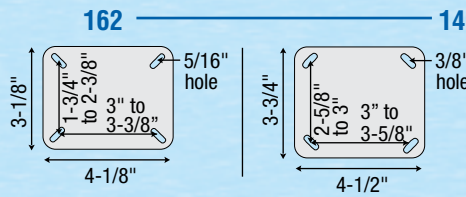
HDI Heavy Duty Institutional Casters



Tread Lock Brake add [TB] at end of model.

Swivel Top Plate Models

Wheel Dia.	Tread Width	Tread Type	Bearing Type	Dynamic Load	Mounting Height	Swivel Radius	Part Number	Fastening Selection
4"	1-1/2"	TPR	Nylon	250 lbs	5-5/16"	3-3/8"	HDS40__TZ-TPR11(GG)	149, 162
	1-1/2"	TPR	Roller	250 lbs	5-5/16"	3-3/8"	HDS40__TZ-TPR81(GG)	149, 162
	1-1/2"	TPU	Nylon	400 lbs	5-5/16"	3-3/8"	HDS40__TZ-TPU11(GG)	149, 162
	1-1/2"	TPU	Roller	400 lbs	5-5/16"	3-3/8"	HDS40__TZ-TPR81(GG)	149, 162
	1-1/2"	Phenolic	Nylon	400 lbs	5-5/16"	3-3/8"	HDS40__TZ-PHN11(KK)	149, 162
	1-1/2"	Phenolic	Roller	400 lbs	5-5/16"	3-3/8"	HDS40__TZ-PHN81(KK)	149, 162
5"	1-1/2"	TPR	Nylon	250 lbs	6-5/16"	3-7/8"	HDS50__TZ-TPR11(GG)	149, 162
	1-1/2"	TPR	Roller	250 lbs	6-5/16"	3-7/8"	HDS50__TZ-TPR81(GG)	149, 162
	1-1/2"	TPU	Nylon	400 lbs	6-5/16"	3-7/8"	HDS50__TZ-TPU11(GG)	149, 162
	1-1/2"	TPU	Roller	400 lbs	6-5/16"	3-7/8"	HDS50__TZ-TPR81(GG)	149, 162
	1-1/2"	Phenolic	Nylon	400 lbs	6-5/16"	3-7/8"	HDS50__TZ-PHN11(KK)	149, 162
	1-1/2"	Phenolic	Roller	400 lbs	6-5/16"	3-7/8"	HDS50__TZ-PHN81(KK)	149, 162

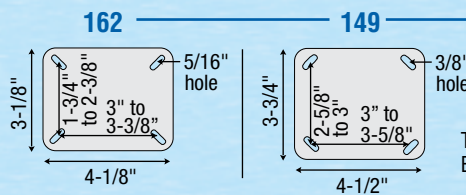


To order include fastener code.
Example: HDS50**162**TZ-TPR11(GG)



Rigid Top Plate Models

Wheel Dia.	Tread Width	Tread Type	Bearing Type	Dynamic Load	Mounting Height	Swivel Radius	Part Number	Fastening Selection
4"	1-1/2"	TPR	Nylon	250 lbs	5-5/16"	N/A	HDR40__TZ-TPR11(GG)	149, 162
	1-1/2"	TPR	Roller	250 lbs	5-5/16"	N/A	HDR40__TZ-TPR81(GG)	149, 162
	1-1/2"	TPU	Nylon	400 lbs	5-5/16"	N/A	HDR40__TZ-TPU11(GG)	149, 162
	1-1/2"	TPU	Roller	400 lbs	5-5/16"	N/A	HDR40__TZ-TPR81(GG)	149, 162
	1-1/2"	Phenolic	Nylon	400 lbs	5-5/16"	N/A	HDR40__TZ-PHN11(KK)	149, 162
	1-1/2"	Phenolic	Roller	400 lbs	5-5/16"	N/A	HDR40__TZ-PHN81(KK)	149, 162
5"	1-1/2"	TPR	Nylon	250 lbs	6-5/16"	N/A	HDR50__TZ-TPR11(GG)	149, 162
	1-1/2"	TPR	Roller	250 lbs	6-5/16"	N/A	HDR50__TZ-TPR81(GG)	149, 162
	1-1/2"	TPU	Nylon	400 lbs	6-5/16"	N/A	HDR50__TZ-TPU11(GG)	149, 162
	1-1/2"	TPU	Roller	400 lbs	6-5/16"	N/A	HDR50__TZ-TPR81(GG)	149, 162
	1-1/2"	Phenolic	Nylon	400 lbs	6-5/16"	N/A	HDR50__TZ-PHN11(KK)	149, 162
	1-1/2"	Phenolic	Roller	400 lbs	6-5/16"	N/A	HDR50__TZ-PHN81(KK)	149, 162



To order include fastener code.
Example: HDR50**162**TZ-TPR11(GG)

Z Series Composite Institutional



Features

- Dual ball bearing raceway construction
- Labyrinth raceway seal to keep out moisture and debris
- Strong durable glass filled nylon body
- Sleek stylish design
- Sealed precision wheel bearing
- Stainless steel brake spring

Applications

- Medical Equipment
- Computer Carts
- Utility Carts
- Store Fixtures
- Foodservice Equipment

Options

Brakes: Total Lock locks wheel and swivel, direction lock locks just the swivel.

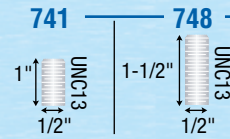
Stainless Steel: All stainless steel component version available, contact factory.

Threaded Stem Swivel Models

Wheel Dia.	Tread Width	Tread Type	Bearing Type	Dynamic Load	Mounting Height	Swivel Radius	Part Number	Fastening Selection
4"	1-1/4"	TPR	Sealed Precision	260 lbs	5-3/8"	3-1/2"	PZS40 GR-TPR33(GG)	741, 748
5"	1-1/4"	TPR	Sealed Precision	280 lbs	6-3/8"	4-1/16"	PZS50 GR-TPR33(GG)	741, 748
6"	1-1/4"	TPR	Sealed Precision	300 lbs	7-3/8"	4-3/4"	PZS60 GR-TPR33(GG)	741, 748

Threaded Stem Total Lock Models

4"	1-1/4"	TPR	Sealed Precision	260 lbs	5-3/8"	4-1/2"	PZT40 GR-TPR33(GG)	741, 748
5"	1-1/4"	TPR	Sealed Precision	280 lbs	6-3/8"	4-1/2"	PZT50 GR-TPR33(GG)	741, 748
6"	1-1/4"	TPR	Sealed Precision	300 lbs	7-3/8"	5-1/16"	PZT60 GR-TPR33(GG)	741, 748



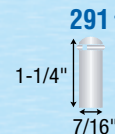
To order include fastener code.
Example: PZS40**741**GR-TPR33(GG)

Grip Ring Stem Swivel Models

Wheel Dia.	Tread Width	Tread Type	Bearing Type	Dynamic Load	Mounting Height	Swivel Radius	Part Number	Fastening Selection
4"	1-1/4"	TPR	Sealed Precision	260 lbs	5-3/8"	3-1/2"	PZS40291GR-TPR33(GG)	291
5"	1-1/4"	TPR	Sealed Precision	280 lbs	6-3/8"	4-1/16"	PZS50291GR-TPR33(GG)	291
6"	1-1/4"	TPR	Sealed Precision	300 lbs	7-3/8"	4-3/4"	PZS60291GR-TPR33(GG)	291

Grip Ring Stem Total Lock Models

4"	1-1/4"	TPR	Sealed Precision	260 lbs	5-3/8"	4-1/2"	PZT40291GR-TPR33(GG)	291
5"	1-1/4"	TPR	Sealed Precision	280 lbs	6-3/8"	4-1/2"	PZT50291GR-TPR33(GG)	291
6"	1-1/4"	TPR	Sealed Precision	300 lbs	7-3/8"	5-1/16"	PZT60291GR-TPR33(GG)	291



Z Series Composite Institutional



Swivel Top Plate Models

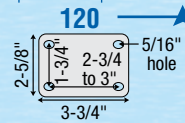
Wheel Dia.	Tread Width	Tread Type	Bearing Type	Dynamic Load	Mounting Height	Swivel Radius	Part Number	Fastening Selection
4"	1-1/4"	TPR	Sealed Precision	260 lbs	5-7/16"	3-1/2"	PZS40120GR-TPR33(GG)	120
5"	1-1/4"	TPR	Sealed Precision	280 lbs	6-7/16"	4-1/16"	PZS50120GR-TPR33(GG)	120
6"	1-1/4"	TPR	Sealed Precision	300 lbs	7-7/16"	4-3/4"	PZS60120GR-TPR33(GG)	120

Swivel Top Plate Total Lock Models

4"	1-1/4"	TPR	Sealed Precision	260 lbs	5-7/16"	4-1/2"	PZT40120GR-TPR33(GG)	120
5"	1-1/4"	TPR	Sealed Precision	280 lbs	6-7/16"	4-1/2"	PZT50120GR-TPR33(GG)	120
6"	1-1/4"	TPR	Sealed Precision	300 lbs	7-7/16"	5-1/16"	PZT60120GR-TPR33(GG)	120

Swivel Top Plate Direction Lock Models

5"	1-1/4"	TPR	Sealed Precision	280 lbs	6-7/16"	4-1/2"	PZD50120GR-TPR33(GG)	120
6"	1-1/4"	TPR	Sealed Precision	300 lbs	7-7/16"	5-1/16"	PZD60120GR-TPR33(GG)	120



Bassick 00 Series



Features

- Dual ball bearing raceway construction
- High load capacity
- Sleek, low profile design

Applications

- Electronic Equipment
- Business Machines
- Store Fixtures
- Laboratory Equipment

Options

Side Lock Brake: To order, add [B] to end of model.

Wheel Selection



Soft Rubber

TPR

Hard Rubber

Polyolefin
(Dual Wheel)

Polyolefin Log
(Single Wheel)

Threaded Stem Models



Side Lock Brake

Swivel radius is 2-5/16".
Add [B] at end of model.

Wheel Dia.	Tread Width	Tread Type (# Wheels)	Dynamic Load	Mounting Height	Swivel Radius	Part Number	Fastening Selection
2"	1-13/16"	Soft Rubber (2)	180 lbs	2-3/4"	2"	C0020_ZN-SFR01(GG)	605, 741, 748, 824
	1-13/16"	TPR (2)	180 lbs	2-3/4"	2"	C0020_ZN-TPR01(GG)	605, 741, 748, 824
	1-13/16"	Hard Rubber (2)	225 lbs	2-3/4"	2"	C0020_ZN-HDR01(GG)	605, 741, 748, 824
	1-13/16"	Polyolefin (2)	225 lbs	2-3/4"	2"	C0020_ZN-POS01(KK)	605, 741, 748, 824
	1-13/16"	Polyolefin Log (1)	300 lbs	2-3/4"	2"	C0020_ZN-POL01(KK)	605, 741, 748, 824

605	741	748	824
1-1/2" UNC16 3/8"	1" UNC13 1/2"	1-1/2" UNC13 1/2"	1-3/4" UNC11 5/8"

To order include fastener code.
Example: C0020**741**ZN-SFR01(GG)

Grip Ring Stem (Brass Band) Models



Side Lock Brake

Swivel radius is 2-5/16".
Add [B] at end of model.

Wheel Dia.	Tread Width	Tread Type (# Wheels)	Dynamic Load	Mounting Height	Swivel Radius	Part Number	Fastening Selection
2"	1-13/16"	Soft Rubber (2)	180 lbs	2-3/4"	2"	C0020_ZN-SFR01(GG)	211, 273
	1-13/16"	TPR (2)	180 lbs	2-3/4"	2"	C0020_ZN-TPR01(GG)	211, 273
	1-13/16"	Hard Rubber (2)	225 lbs	2-3/4"	2"	C0020_ZN-HDR01(GG)	211, 273
	1-13/16"	Polyolefin (2)	225 lbs	2-3/4"	2"	C0020_ZN-POS01(KK)	211, 273
	1-13/16"	Polyolefin Log (1)	300 lbs	2-3/4"	2"	C0020_ZN-POL01(KK)	211, 273

211	273
1-7/16" UNC11 7/16"	1-7/16" UNC11 7/16"

To order include fastener code.
Example: C0020**211**ZN-SFR01(GG)

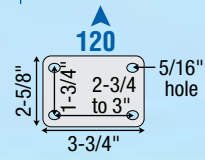
Bassick 00 Series



Side Lock Brake
Swivel radius is 2-5/16".
Add [B] at end of model.

Swivel Top Plate Models

Wheel Dia.	Tread Width	Tread Type (# Wheels)	Dynamic Load	Mounting Height	Swivel Radius	Part Number	Fastening Selection
2"	1-13/16"	Soft Rubber (2)	180 lbs	2-13/16"	2"	C0020120ZN-SFR01(GG)	120
	1-13/16"	TPR (2)	180 lbs	2-13/16"	2"	C0020120ZN-TPR01(GG)	120
	1-13/16"	Hard Rubber (2)	225 lbs	2-13/16"	2"	C0020120ZN-HDR01(GG)	120
	1-13/16"	Polyolefin (2)	225 lbs	2-13/16"	2"	C0020120ZN-POS01(KK)	120
	1-13/16"	Polyolefin Log (1)	300 lbs	2-13/16"	2"	C0020120ZN-POL01(KK)	120



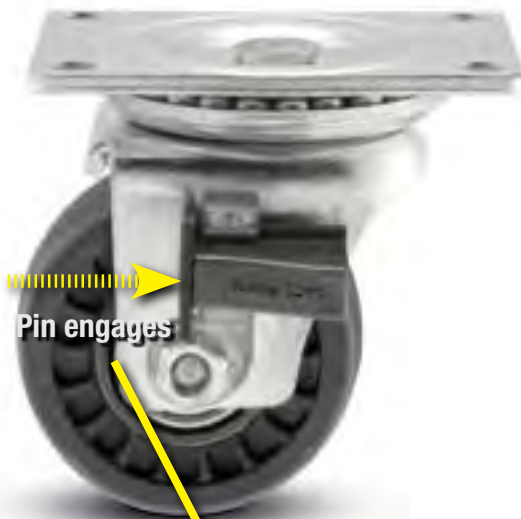
Bassick Sure-Lok Brake Patent Pending

Available on 3" Diameter LS/MS Swivel and Rigid Models!



The Sure-Lok Brake is a revolutionary new mechanical brake design that easily engages with the simple push of a finger, securely locking the wheel in its place. Don't spend unnecessary time and effort tightening down a thumb-screw brake again; order your next business machine casters with Sure-Lok Brakes.

Sliding brake forward engages the brake pin into a wheel port, creating a secure lock



Sliding the brake back retracts the brake pin for instant mobility



Low Profile Medium Heavy Duty

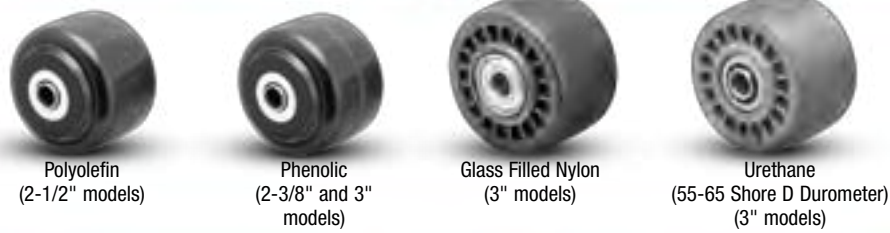


Features	Applications	Options
----------	--------------	---------

- | | | |
|--|---|---|
| <ul style="list-style-type: none"> • High load capacity • Low profile design • Precision bearing wheels standard in glass-filled nylon models • Urethane wheel for quieter mobility; 55-65 shore D durometer (3" models) • Nut and bolt axle • RoHS compliant trivalent zinc plating | <ul style="list-style-type: none"> • Copiers • Business Machines • Vending Machines • Computer Storage Devices • Refrigerated Displays • Electronics Cabinets | <p>Sure-Lok Brake available on 3" swivel & rigid glass filled nylon and urethane models (swivel radius is 2-5/8"). Add [SL] to end of part number.</p> <p>Thumb Screw Brake available on 3" swivel models (swivel radius 2-7/16"). Add [B] to end of part number.</p> |
|--|---|---|



Wheel Selection



Sure-Lok Brakes available on 3" models.



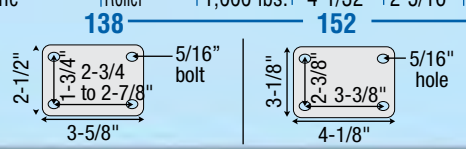
3" Swivel Model



3" Rigid Model

Swivel Top Plate Models

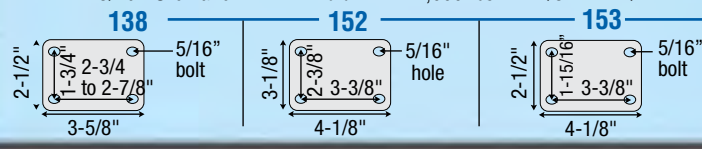
Wheel Dia.	Tread Width	Tread Type	Bearing	Dynamic Load	Mounting Height	Swivel Radius	Part Number	Fastening Selection
2-3/8"	1-5/8"	Phenolic	Roller	600 lbs.	3-7/32"	2-3/32"	BLS23 138 TZ-PHN51(KK)	138
2-1/2"	1-3/4"	Polyolefin	Roller	400 lbs.	3-9/32"	2-1/4"	BLS25 138 TZ-POL51(KK)	138
3"	1-13/16"	Phenolic	Roller	700 lbs.	3-31/32"	2-5/16"	BLS30 152 TZ-PHN51(KK)	152
	1-13/16"	Glass Filled Nylon	Precision Roller	700 lbs.	3-31/32"	2-5/16"	BLS30 152 TZ-GFN61(KK)	152
	1-13/16"	Urethane	Roller	700 lbs.	3-31/32"	2-5/16"	BLS30 152 TZ-UAS51(GG)	152
3"	1-13/16"	Phenolic	Roller	900 lbs.	4-1/32"	2-5/16"	BMS30 152 TZ-PHN51(KK)	152
	1-13/16"	Glass Filled Nylon	Precision Roller	1,000 lbs.	4-1/32"	2-5/16"	BMS30 152 TZ-GFN61(KK)	152
	1-13/16"	Urethane	Roller	1,000 lbs.	4-1/32"	2-5/16"	BMS30 152 TZ-UAS51(GG)	152



138 top plate available on 2-3/8" and 2-1/2" models. **152** top plate available on 3" models.

Rigid Top Plate Models

Wheel Dia.	Tread Width	Tread Type	Bearing	Dynamic Load	Mounting Height	Swivel Radius	Part Number	Fastening Selection
2-3/8"	1-5/8"	Phenolic	Roller	600 lbs.	3-7/32"	N/A	BLR23 138 TZ-PHN51(KK)	138
2-1/2"	1-3/4"	Polyolefin	Roller	400 lbs.	3-9/32"	N/A	BLR25 138 TZ-POL51(KK)	138
3"	1-13/16"	Phenolic	Roller	700 lbs.	3-31/32"	N/A	BLR30 TZ-PHN51(KK)	152,153
	1-13/16"	Glass Filled Nylon	Precision Roller	700 lbs.	3-31/32"	N/A	BLR30 TZ-GFN61(KK)	152,153
	1-13/16"	Urethane	Roller	700 lbs.	3-31/32"	N/A	BLR30 TZ-UAS51(GG)	152,153
3"	1-13/16"	Phenolic	Roller	900 lbs.	4-1/32"	N/A	BMR30 152 TZ-PHN51(KK)	152
	1-13/16"	Glass Filled Nylon	Precision Roller	1,000 lbs.	4-1/32"	N/A	BMR30 152 TZ-GFN61(KK)	152
	1-13/16"	Urethane	Roller	1,000 lbs.	4-1/32"	N/A	BMR30 152 TZ-UAS51(GG)	152



To order include fastener code. Example: BLR30**152**TZ-PHN51(KK).

Bassick XX/YY



Features

- Low overall height combined with heavy load requirements
- Double ball bearing raceways
- Heavy, staked kingpin
- Yellow dichromate finish for added corrosion resistance

Applications

- Electronic Equipment
- Material Handling

Wheel Selection



Hard or Soft Rubber



Phenolic

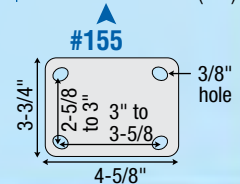


Steel or Sintered Iron



XX Swivel Top Plate Models

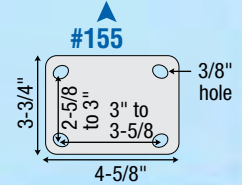
Wheel Dia.	Tread Width	Tread Type	Bearing Type	Dynamic Load	Mounting Height	Swivel Radius	Part Number
3"	1-5/16"	Soft Rubber	Roller	160	4-5/16"	2-7/8"	CXX30155YZ-SFR51(KK)
	1-5/16"	Hard Rubber	Roller	225	4-5/16"	2-7/8"	CXX30155YZ-HDR51(KK)
	1-5/16"	Phenolic	Roller	400	4-5/16"	2-7/8"	CXX30155YZ-PHN51(KK)
	1-5/16"	Sintered Iron	Roller	900	4-5/16"	2-7/8"	CXX30155YZ-STM51(GG)
4"	1-5/8"	Soft Rubber	Roller	200	5-9/32"	3-3/8"	CXX40155YZ-SFR51(KK)
	1-5/8"	Hard Rubber	Roller	300	5-9/32"	3-3/8"	CXX40155YZ-HDR51(KK)
	1-5/8"	Phenolic	Roller	600	5-9/32"	3-3/8"	CXX40155YZ-PHN51(KK)
	1-5/8"	Steel	Roller	900	5-9/32"	3-3/8"	CXX40155YZ-STL51(GG)





YY Rigid Top Plate Models

Wheel Dia.	Tread Width	Tread Type	Bearing Type	Dynamic Load	Mounting Height	Swivel Radius	Part Number
3"	1-5/16"	Soft Rubber	Roller	160	4-5/16"	N/A	CYY30155YZ-SFR51(KK)
	1-5/16"	Hard Rubber	Roller	225	4-5/16"	N/A	CYY30155YZ-HDR51(KK)
	1-5/16"	Phenolic	Roller	400	4-5/16"	N/A	CYY30155YZ-PHN51(KK)
	1-5/16"	Sintered Iron	Roller	900	4-5/16"	N/A	CYY30155YZ-STM51(GG)
4"	1-5/8"	Soft Rubber	Roller	200	5-9/32"	N/A	CYY40155YZ-SFR51(KK)
	1-5/8"	Hard Rubber	Roller	300	5-9/32"	N/A	CYY40155YZ-HDR51(KK)
	1-5/8"	Phenolic	Roller	600	5-9/32"	N/A	CYY40155YZ-PHN51(KK)
	1-5/8"	Steel	Roller	900	5-9/32"	N/A	CYY40155YZ-STL51(GG)



Dual Wheel



Features

- Low profile, easy swiveling and smooth rolling
- Durable zinc plated finish
- Non-marking TPR rubber tread
- Foot activated total lock brake
- Integrated thread guards
- Dual ball bearing raceway
- Precision bearings in wheels

Applications

- Patient Lifts
- Medical Equipment
- Computer Equipment

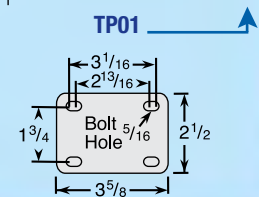


Swivel Top Plate Model

Wheel Diameter	Tread Width	Tread Material	Bearing Type	Dynamic Load	Mounting Height	Swivel Radius	Part Number
3"	2	Thermoplastic Rubber	Precision	220	4-1/16	2-23/32	DW-03TPP-100-SW-TP01

Swivel Top Plate Total Lock Model

3"	2	Thermoplastic Rubber	Precision	220	4-1/16	3-1/2	DW-03TPP-100-TL-TP01
----	---	----------------------	-----------	-----	--------	-------	----------------------



Dual Wheel




Hollow Kingpin Model

Wheel Diameter	Tread Width	Tread Material	Bearing Type	Dynamic Load	Mounting Height	Swivel Radius	Part Number
3"	2	Thermoplastic Rubber	Precision	220	3-15/16	2-23/32	DW-03TPP-100-SW-HK01

Hollow Kingpin Total Lock Model

3"	2	Thermoplastic Rubber	Precision	220	3-15/16	2-23/32	DW-03TPP-100-TL-HK01
----	---	----------------------	-----------	-----	---------	---------	----------------------

HK01 
 Caster is provided assembled. Change HK01 code to HKU1 for unassembled. 1/2" I.D.

BDS/BDR Series



Features

- Low profile design, offering easy pivoting
- Dual ball raceways protected by dust cap
- Heat treated
- High luster chrome finish
- Precision bearing wheels for ultimate mobility
- Full thread guards on all 2-1/2" models

Applications

- Theatrical Equipment
- Computer Frames
- Electronic Enclosures
- Copy Machines
- Business Machines
- Medical Equipment
- Fixtures and Displays

Coming Soon

- Optional fastenings available by special order. Please contact the factory for further assistance.

Wheel Selection



Neoprene Donut
(2" models)



Neoprene Flat
(2-1/2" models)



Glass Filled Nylon
(2" model)

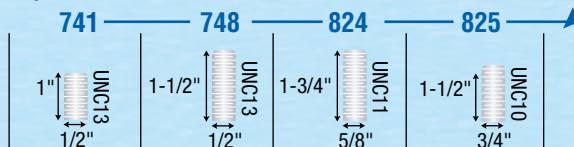


Glass Filled Nylon
(2-1/2" model)



Threaded Stem Models

Wheel Dia.	Tread Width*	Tread Type	Thread Guards	Bearing Type	Dynamic Load	Mounting Height	Swivel Radius	Part Number	Fastening Selection
2"	1"	Neoprene (Donut)	None	Precision	300 lbs	3-13/16"	2-1/4"	BDS20 BC-NPR31(KK)	741,748,824,825
	1"	Glass Filled Nylon	None	Precision	400 lbs	3-13/16"	2-1/4"	BDS20 BC-GFN31(KK)	741,748,824,825
2 1/2"	1"	Neoprene (Flat)	Full	Precision	300 lbs	3-3/4"	2-1/2"	BDS25 BC-NPR33(KK)	741,748,824,825
	1"	Glass Filled Nylon	Full	Precision	400 lbs	3-3/4"	2-1/2"	BDS25 BC-GFN31(KK)	741,748,824,825



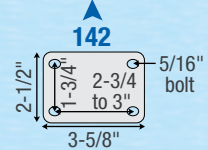
*Each wheel.

BDS/BDR Series



Swivel Top Plate Models

Wheel Dia.	Tread Width*	Tread Type	Thread Guards	Bearing Type	Dynamic Load	Mounting Height	Swivel Radius	Part Number	Fastening Selection
2"	1"	Neoprene (Donut)	None	Precision	300 lbs	3-5/16"	2-1/4"	BDS20142BC-NPR31(KK)	142
	1"	Glass Filled Nylon	None	Precision	400 lbs	3-5/16"	2-1/4"	BDS20142BC-GFN31(KK)	142
2 1/2"	1"	Neoprene (Flat)	Full	Precision	300 lbs	3-7/8"	2-1/2"	BDS25142BC-NPR33(KK)	142
	1"	Glass Filled Nylon	Full	Precision	400 lbs	3-7/8"	2-1/2"	BDS25142BC-GFN31(KK)	142

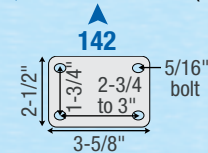


*Each wheel.



Rigid Top Plate Models

Wheel Dia.	Tread Width*	Tread Type	Thread Guards	Bearing Type	Dynamic Load	Mounting Height	Swivel Radius	Part Number	Fastening Selection
2"	1"	Neoprene (Donut)	None	Precision	300 lbs	3-5/16"	N/A	BDR20142BC-NPR31(KK)	142
	1"	Glass Filled Nylon	None	Precision	400 lbs	3-5/16"	N/A	BDR20142BC-GFN31(KK)	142
2 1/2"	1"	Neoprene (Flat)	Full	Precision	300 lbs	3-7/8"	N/A	BDR25142BC-NPR33(KK)	142
	1"	Glass Filled Nylon	Full	Precision	400 lbs	3-7/8"	N/A	BDR25142BC-GFN31(KK)	142



*Each wheel.

Bassick PRISM Series



New innovative two piece internal tread brake features:

- A thermoplastic brake grip
- Large lever for easy activation
- Brake arm fully protected by fork
- No brake washer for fast assembly
- Same brake fits both swivel and rigid models

Features

- 1/4" thick top plate and legs for additional strength
- Legs fully welded to inside and outside of ball cup to ensure a solid connection
- Grease zerks on both wheel bearing and swivel raceway help maintain caster life
- 5/8" nut/bolt kingpin adds additional durability when transporting uneven loads
- All swivel rigs notched for optional swivel lock
- RoHS compliant trivalent zinc plating

Applications

- Warehouse Trucks
- Material Handling Equipment
- Platform Carts
- Mobile Storage Racks
- Mobile Tool Chests

Options

Bolt on swivel lock available for all swivel models. To order use part number 618787 (Field installable).

Tread Brake available on all swivel and rigid models (the same brake kit fits both swivel and rigid models!) - add [TB] to end of part number. Swivel radius changes to 3-5/8" on the 4" swivel casters.



Wheel Selection



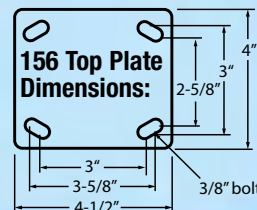
Bassick PRISM Series



Wheel Diameter	Tread Width	Tread Material	Bearing Type	Dynamic Load	Mounting Height	Swivel Radius	Swivel Part Number (For Rigid change CPS to CPR)
4"	2"	Rubber on Iron	Sealed Roller	350 lbs	5-5/8"	3"	CPS40156TZ-ROI81(KK)
	2"	TPR (Flat)	Sealed Roller	350 lbs	5-5/8"	3"	CPS40156TZ-TPR81(GG)
	2"	TPR (Flat)	Delrin	350 lbs	5-5/8"	3"	CPS40156TZ-TPR11(GG)
	2"	TPR (Donut)	Sealed Roller	350 lbs	5-5/8"	3"	CPS40156TZ-TPD81(GG)
	2"	TPR (Donut)	Delrin	350 lbs	5-5/8"	3"	CPS40156TZ-TPD11(GG)
	2"	Polyolefin	Sealed Roller	450 lbs	5-5/8"	3"	CPS40156TZ-POD81(KK)
	2"	Urethane on Polypropylene	Sealed Roller	700 lbs	5-5/8"	3"	CPS40156TZ-TPU81(BK)
	2"	Urethane on Iron	Sealed Roller	700 lbs	5-5/8"	3"	CPS40156TZ-UOI81(BG)
	2"	Phenolic	Sealed Roller	800 lbs	5-5/8"	3"	CPS40156TZ-PHN81(KK)
	2"	Cast Iron	Roller	800 lbs	5-5/8"	3"	CPS40156TZ-IRN51(GG)
5"	2"	Rubber on Iron	Sealed Roller	400 lbs	6-1/2"	3-3/4"	CPS50156TZ-ROI81(KK)
	2"	TPR (Flat)	Sealed Roller	375 lbs	6-1/2"	3-3/4"	CPS50156TZ-TPR81(GG)
	2"	TPR (Flat)	Delrin	375 lbs	6-1/2"	3-3/4"	CPS50156TZ-TPR11(GG)
	2"	TPR (Donut)	Sealed Roller	375 lbs	6-1/2"	3-3/4"	CPS50156TZ-TPD81(GG)
	2"	TPR (Donut)	Delrin	375 lbs	6-1/2"	3-3/4"	CPS50156TZ-TPD11(GG)
	2"	Polyolefin	Sealed Roller	550 lbs	6-1/2"	3-3/4"	CPS50156TZ-POD81(KK)
	2"	Urethane on Polypropylene	Sealed Roller	750 lbs	6-1/2"	3-3/4"	CPS50156TZ-TPU81(BK)
	2"	Urethane on Iron	Sealed Roller	1,000 lbs	6-1/2"	3-3/4"	CPS50156TZ-UOI81(BG)
	2"	Phenolic	Sealed Roller	1,000 lbs	6-1/2"	3-3/4"	CPS50156TZ-PHN81(KK)
	2"	Cast Iron	Roller	1,000 lbs	6-1/2"	3-3/4"	CPS50156TZ-IRN51(GG)
6"	2"	Rubber on Iron	Sealed Roller	410 lbs	7-1/2"	4-1/2"	CPS60156TZ-ROI81(KK)
	2"	TPR (Flat)	Sealed Roller	600 lbs	7-1/2"	4-1/2"	CPS60156TZ-TPR81(GG)
	2"	TPR (Flat)	Delrin	600 lbs	7-1/2"	4-1/2"	CPS60156TZ-TPR11(GG)
	2"	TPR (Donut)	Sealed Roller	600 lbs	7-1/2"	4-1/2"	CPS60156TZ-TPD81(GG)
	2"	TPR (Donut)	Delrin	600 lbs	7-1/2"	4-1/2"	CPS60156TZ-TPD11(GG)
	2"	Polyolefin	Sealed Roller	650 lbs	7-1/2"	4-1/2"	CPS60156TZ-POD81(KK)
	2"	Urethane on Polypropylene	Sealed Roller	900 lbs	7-1/2"	4-1/2"	CPS60156TZ-TPU81(BK)
	2"	Urethane on Iron	Sealed Roller	1,200 lbs	7-1/2"	4-1/2"	CPS60156TZ-UOI81(BG)
	2"	Phenolic	Sealed Roller	1,200 lbs	7-1/2"	4-1/2"	CPS60156TZ-PHN81(KK)
	2"	Cast Iron	Roller	1,200 lbs	7-1/2"	4-1/2"	CPS60156TZ-IRN51(GG)
8"	2"	Rubber on Iron	Sealed Roller	500 lbs	9-1/2"	6-1/8"	CPS80156TZ-ROI81(KK)
	2"	TPR (Flat)	Sealed Roller	675 lbs	9-1/2"	6-1/8"	CPS80156TZ-TPR81(GG)
	2"	TPR (Flat)	Delrin	675 lbs	9-1/2"	6-1/8"	CPS80156TZ-TPR11(GG)
	2"	TPR (Donut)	Sealed Roller	675 lbs	9-1/2"	6-1/8"	CPS80156TZ-TPD81(GG)
	2"	TPR (Donut)	Delrin	675 lbs	9-1/2"	6-1/8"	CPS80156TZ-TPD11(GG)
	2"	Polyolefin	Sealed Roller	850 lbs	9-1/2"	6-1/8"	CPS80156TZ-POD81(KK)
	2"	Urethane on Iron	Sealed Roller	1,200 lbs	9-1/2"	6-1/8"	CPS80156TZ-UOI81(BG)
	2"	Urethane on Polypropylene	Sealed Roller	1,000 lbs	9-1/2"	6-1/8"	CPS80156TZ-TPU81(BK)
	2"	Phenolic	Sealed Roller	1,200 lbs	9-1/2"	6-1/8"	CPS80156TZ-PHN81(KK)
	2"	Cast Iron	Roller	1,200 lbs	9-1/2"	6-1/8"	CPS80156TZ-IRN51(GG)

Tread Brake available on all swivel and rigid models (the same brake kit fits both swivel and rigid models!) - add [TB] to end of part number. Swivel radius changes to 3-5/8" on the 4" swivel casters.

Rigid Model
(Change CPS to CPR)



Bolt on swivel lock available for all swivel models, to order use part number 618787 (Field installable).

Bassick Prism Stainless Steel



Features

- Polished 304 stainless steel casters
- High-temp swivel seal standard
- Rubber swivel seal
- 1/4" thick top plate and legs for additional strength
- Legs fully welded to inside and outside of ball cup to ensure a solid connection
- Grease zerks on both wheel bearing and swivel raceway help maintain caster life
- 5/8" nut/bolt kingpin adds additional durability when transporting uneven loads
- All swivel rigs notched for optional swivel lock
- Casters stocked without grease to allow for multiple lubrication options

Applications

- Food Service Equipment
- Animal Cages
- Pharmaceuticals
- Laundry Trucks

Options

Total Lock Brake

Locks wheel and swivel - Change first three digits to [CPT].

Tread Brake available on all swivel and rigid models (the same brake kit fits both swivel and rigid models!) - add [TB] to end of part number. Swivel radius changes to 3-5/8" on the 4" swivel casters.

Wheel Selection



TPR
Flat



TPR
Donut



Polyolefin



Phenolic



K Solid Urethane



RT Reinforced
Thermoplastic



Eagle Urethane



New Total Lock Brake
now available! Change
first three digits to [CPT].



Bassick Prism Stainless Steel

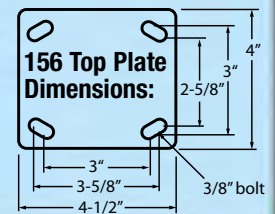


Tread Brake available on all swivel and rigid models (the same brake kit fits both swivel and rigid models!) - add [TB] to end of part number. Swivel radius changes to 3-5/8" on the 4" swivel casters.

Wheel Diameter	Tread Width	Tread Material	Bearing Type	Dynamic Load	Mounting Height	Swivel Radius	Swivel Part Number (For Rigid change CPS to CPR)
4"	2"	TPR (Flat)	Delrin	350 lbs	5-5/8"	3"	CPS40156SS-TPR11(GG)
	2"	TPR (Donut)	Delrin	350 lbs	5-5/8"	3"	CPS40156SS-TPD11(GG)
	2"	Polyolefin	Delrin	450 lbs	5-5/8"	3"	CPS40156SS-POD11(KK)
	2"	Phenolic	Delrin	800 lbs	5-5/8"	3"	CPS40156SS-PHN11(KK)
	2"	K Solid Urethane	Delrin	700 lbs	5-5/8"	3"	CPS40156SS-KPU11(KK)
	2"	RT Reinforced Thermoplastic	Delrin	700 lbs	5-5/8"	3"	CPS40156SS-FRT11(KK)
	2"	Eagle Urethane	Plain Bore	600 lbs	5-5/8"	3"	CPS40156SS-EAG01(BK)
5"	2"	TPR (Flat)	Delrin	375 lbs	6-1/2"	3-3/4"	CPS50156SS-TPR11(GG)
	2"	TPR (Donut)	Delrin	375 lbs	6-1/2"	3-3/4"	CPS50156SS-TPD11(GG)
	2"	Polyolefin	Delrin	550 lbs	6-1/2"	3-3/4"	CPS50156SS-POD11(KK)
	2"	Phenolic	Delrin	1,000 lbs	6-1/2"	3-3/4"	CPS50156SS-PHN11(KK)
	2"	K Solid Urethane	Delrin	1,000 lbs	6-1/2"	3-3/4"	CPS50156SS-KPU11(KK)
	2"	RT Reinforced Thermoplastic	Delrin	1,000 lbs	6-1/2"	3-3/4"	CPS50156SS-FRT11(KK)
	2"	Eagle Urethane	Plain Bore	900 lbs	6-1/2"	3-3/4"	CPS50156SS-EAG01(BK)
6"	2"	TPR (Flat)	Delrin	600 lbs	7-1/2"	4-1/2"	CPS60156SS-TPR11(GG)
	2"	TPR (Donut)	Delrin	600 lbs	7-1/2"	4-1/2"	CPS60156SS-TPD11(GG)
	2"	Polyolefin	Delrin	650 lbs	7-1/2"	4-1/2"	CPS60156SS-POD11(KK)
	2"	Phenolic	Delrin	1,200 lbs	7-1/2"	4-1/2"	CPS60156SS-PHN11(KK)
	2"	K Solid Urethane	Delrin	1,200 lbs	7-1/2"	4-1/2"	CPS60156SS-KPU11(KK)
	2"	RT Reinforced Thermoplastic	Delrin	1,200 lbs	7-1/2"	4-1/2"	CPS60156SS-FRT11(KK)
	2"	Eagle Urethane	Plain Bore	1,100 lbs	7-1/2"	4-1/2"	CPS60156SS-EAG01(BK)
8"	2"	TPR (Flat)	Delrin	675 lbs	9-1/2"	6-1/8"	CPS80156SS-TPR11(GG)
	2"	TPR (Donut)	Delrin	675 lbs	9-1/2"	6-1/8"	CPS80156SS-TPD11(GG)
	2"	TPR (Donut)	Delrin	675 lbs	9-1/2"	6-1/8"	CPS80156SS-TPD11(GG)
	2"	Polyolefin	Delrin	850 lbs	9-1/2"	6-1/8"	CPS80156SS-POD11(KK)
	2"	Phenolic	Delrin	1,200 lbs	9-1/2"	6-1/8"	CPS80156SS-PHN11(KK)
	2"	K Solid Urethane	Delrin	1,200 lbs	9-1/2"	6-1/8"	CPS80156SS-KPU11(KK)
	2"	RT Reinforced Thermoplastic	Delrin	1,200 lbs	9-1/2"	6-1/8"	CPS80156SS-FRT11(KK)
	2"	Eagle Urethane	Plain Bore	1,200 lbs	9-1/2"	6-1/8"	CPS80156SS-EAG01(BK)

Total Lock Brake
(Change CPS to CPT)

Rigid Model
(Change CPS to CPR)



Bassick Diamond Series



Features

- Heat treated raceways
- Legs fully welded to inside and outside of ball cup to ensure a solid connection
- Grease zerks on both wheel bearing and swivel raceway help maintain caster life
- 3/4" nut/bolt kingpin adds additional durability when transporting uneven loads
- All swivel rigs notched for optional swivel lock
- RoHS compliant trivalent zinc plating

Applications

- Warehouse Trucks
- Material Handling Equipment
- Floor Trucks
- Shop Carts

Options

Bolt on swivel lock available for all swivel models. To order use part number 618787 (Field installable).

Tread Brake available on all swivel and rigid models (the same brake kit fits both swivel and rigid models!) - add [TB] to end of part number. Swivel radius changes to 3-5/8" on the 4" swivel casters.

7-1/4" mount height for 6" caster is available, contact factory for details.

Wheel Selection



K Solid Urethane



Honcho Urethane on Aluminum



Urethane on Polypropylene



Urethane on Iron



TPR Flat



TPR Donut



Rubber on Iron



Polyolefin



Phenolic



Cast Iron

Bassick Diamond Series



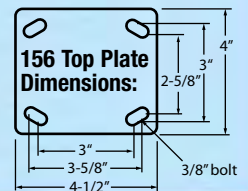
Wheel Diameter	Tread Width	Tread Material	Bearing Type	Dynamic Load	Mounting Height	Swivel Radius	Swivel Part Number (For Rigid change CPS to CPR)
4"	2"	Rubber on Iron	Sealed Roller	350 lbs	5-5/8"	3"	CDS40156TZ-ROI81(KK)
	2"	TPR (Flat)	Sealed Roller	350 lbs	5-5/8"	3"	CDS40156TZ-TPR81(GG)
	2"	TPR (Flat)	Delrin	350 lbs	5-5/8"	3"	CDS40156TZ-TPR11(GG)
	2"	TPR (Donut)	Sealed Roller	350 lbs	5-5/8"	3"	CDS40156TZ-TPD81(GG)
	2"	TPR (Donut)	Delrin	350 lbs	5-5/8"	3"	CDS40156TZ-TPD11(GG)
	2"	Polyolefin	Sealed Roller	450 lbs	5-5/8"	3"	CDS40156TZ-POD81(KK)
	2"	Urethane on Polypropylene	Sealed Roller	700 lbs	5-5/8"	3"	CDS40156TZ-TPU81(BK)
	2"	Urethane on Iron	Sealed Roller	700 lbs	5-5/8"	3"	CDS40156TZ-UOI81(BG)
	2"	Phenolic	Sealed Roller	800 lbs	5-5/8"	3"	CDS40156TZ-PHN81(KK)
	2"	Cast Iron	Roller	800 lbs	5-5/8"	3"	CDS40156TZ-IRN51(GG)
	2"	K Solid Urethane	Roller	700 lbs	5-5/8"	3"	CDS40156TZ-KPU51(KK)
	2"	K Solid Urethane	Delrin	700 lbs	5-5/8"	3"	CDS40156TZ-KPU11(KK)
5"	2"	Rubber on Iron	Sealed Roller	400 lbs	6-1/2"	3-3/4"	CDS50156TZ-ROI81(KK)
	2"	TPR (Flat)	Sealed Roller	375 lbs	6-1/2"	3-3/4"	CDS50156TZ-TPR81(GG)
	2"	TPR (Flat)	Delrin	375 lbs	6-1/2"	3-3/4"	CDS50156TZ-TPR11(GG)
	2"	TPR (Donut)	Sealed Roller	375 lbs	6-1/2"	3-3/4"	CDS50156TZ-TPD81(GG)
	2"	TPR (Donut)	Delrin	375 lbs	6-1/2"	3-3/4"	CDS50156TZ-TPD11(GG)
	2"	Polyolefin	Sealed Roller	550 lbs	6-1/2"	3-3/4"	CDS50156TZ-POD81(KK)
	2"	Urethane on Polypropylene	Sealed Roller	750 lbs	6-1/2"	3-3/4"	CDS50156TZ-TPU81(BK)
	2"	Urethane on Iron	Sealed Roller	1,000 lbs	6-1/2"	3-3/4"	CDS50156TZ-UOI81(BG)
	2"	Phenolic	Sealed Roller	1,000 lbs	6-1/2"	3-3/4"	CDS50156TZ-PHN81(KK)
	2"	Cast Iron	Roller	1,000 lbs	6-1/2"	3-3/4"	CDS50156TZ-IRN51(GG)
	2"	K Solid Urethane	Roller	1,000 lbs	6-1/2"	3-3/4"	CDS50156TZ-KPU51(KK)
	2"	K Solid Urethane	Delrin	1,000 lbs	6-1/2"	3-3/4"	CDS50156TZ-KPU11(KK)
2"	Honcho Urethane	Sealed Roller	1,250 lbs	6-1/2"	3-3/4"	CDS50156TZ-UOA81(BG)	
6"	2"	Rubber on Iron	Sealed Roller	410 lbs	7-1/2"	4-1/2"	CDS60156TZ-ROI81(KK)
	2"	TPR (Flat)	Sealed Roller	600 lbs	7-1/2"	4-1/2"	CDS60156TZ-TPR81(GG)
	2"	TPR (Flat)	Delrin	600 lbs	7-1/2"	4-1/2"	CDS60156TZ-TPR11(GG)
	2"	TPR (Donut)	Sealed Roller	600 lbs	7-1/2"	4-1/2"	CDS60156TZ-TPD81(GG)
	2"	TPR (Donut)	Delrin	600 lbs	7-1/2"	4-1/2"	CDS60156TZ-TPD11(GG)
	2"	Polyolefin	Sealed Roller	650 lbs	7-1/2"	4-1/2"	CDS60156TZ-POD81(KK)
	2"	Urethane on Polypropylene	Sealed Roller	900 lbs	7-1/2"	4-1/2"	CDS60156TZ-TPU81(BK)
	2"	Urethane on Iron	Sealed Roller	1,200 lbs	7-1/2"	4-1/2"	CDS60156TZ-UOI81(BG)
	2"	Phenolic	Sealed Roller	1,200 lbs	7-1/2"	4-1/2"	CDS60156TZ-PHN81(KK)
	2"	Cast Iron	Roller	1,200 lbs	7-1/2"	4-1/2"	CDS60156TZ-IRN51(GG)
	2"	K Solid Urethane	Roller	1,200 lbs	7-1/2"	4-1/2"	CDS60156TZ-KPU51(KK)
	2"	K Solid Urethane	Delrin	1,200 lbs	7-1/2"	4-1/2"	CDS60156TZ-KPU11(KK)
2"	Honcho Urethane	Sealed Roller	1,250 lbs	7-1/2"	4-1/2"	CDS60156TZ-UOA81(BG)	
8"	2"	Rubber on Iron	Sealed Roller	500 lbs	9-1/2"	6-1/8"	CDS80156TZ-ROI81(KK)
	2"	TPR (Flat)	Sealed Roller	675 lbs	9-1/2"	6-1/8"	CDS80156TZ-TPR81(GG)
	2"	TPR (Flat)	Delrin	675 lbs	9-1/2"	6-1/8"	CDS80156TZ-TPR11(GG)
	2"	TPR (Donut)	Sealed Roller	675 lbs	9-1/2"	6-1/8"	CDS80156TZ-TPD81(GG)
	2"	TPR (Donut)	Delrin	675 lbs	9-1/2"	6-1/8"	CDS80156TZ-TPD11(GG)
	2"	Polyolefin	Sealed Roller	850 lbs	9-1/2"	6-1/8"	CDS80156TZ-POD81(KK)
	2"	Urethane on Iron	Sealed Roller	1,200 lbs	9-1/2"	6-1/8"	CDS80156TZ-UOI81(BG)
	2"	Urethane on Polypropylene	Sealed Roller	1,000 lbs	9-1/2"	6-1/8"	CDS80156TZ-TPU81(BK)
	2"	Phenolic	Sealed Roller	1,200 lbs	9-1/2"	6-1/8"	CDS80156TZ-PHN81(KK)
	2"	Cast Iron	Roller	1,200 lbs	9-1/2"	6-1/8"	CDS80156TZ-IRN51(GG)
	2"	K Solid Urethane	Roller	1,250 lbs	9-1/2"	6-1/8"	CDS80156TZ-KPU51(KK)
	2"	K Solid Urethane	Delrin	1,250 lbs	9-1/2"	6-1/8"	CDS80156TZ-KPU11(KK)
2"	Honcho Urethane	Sealed Roller	1,250 lbs	9-1/2"	6-1/8"	CDS80156TZ-UOA81(BG)	



Tread Brake available on all swivel and rigid models (the same brake kit fits both swivel and rigid models!) - add [TB] to end of part number. Swivel radius changes to 3-5/8" on the 4" swivel casters.



Rigid Model
(Change CDS to CPR)



Bolt on swivel lock available for all swivel models, to order use part number 618787 (Field installable).

Bassick Honcho AS/AR



Features

- Welded steel construction
- Drawn and formed ballcup
- Full double ball heat treated raceways
- Sealed upper and lower raceways
- Embossed, formed legs for added strength
- Yellow dichromate finish for added corrosion resistance

Applications

- Platform Trucks
- Warehouse Trucks
- Material Handling Containers

Options

Brakes: Total Lock and Side Lock. To order, see individual specification pages.

Swivel Lock: 4 position swivel lock. To order, add [-SL] to end of model.

Wheel Selection



Hard or Soft Rubber



Polyolefin



Phenolic



Urethane on Aluminum



Steel



Eagle Urethane



K Solid Urethane



RT Reinforced Thermoplastic



Swivel Model



Total Lock Brake
Add [TLB] at end of model.



Side Lock Brake
Add [-SB] at end of model.



4 Position Swivel Lock
Add [-SL] at end of model.

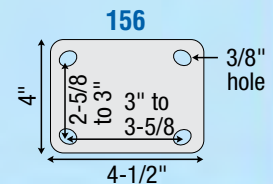
Bassick Honcho AS/AR



AS/AR Top Plate Models

Wheel Dia.	Tread Width	Tread Type	Bearing Type	Dynamic Load	Mounting Height	Swivel Radius	Part Number	
4"	2"	Polyolefin	Sealed Roller	600 lbs	5-1/2"	3"	CAS40156YZ-POD81(KK)	
	2"	Phenolic	Sealed Roller	800 lbs	5-1/2"	3"	CAS40156YZ-PHN81(KK)	
	2"	Steel	Roller	1,200 lbs	5-1/2"	3"	CAS40156YZ-STL51(GG)	
	2"	K Solid Urethane	Roller	700 lbs	5-1/2"	3"	CAS40156YZ-KPU81(KK)	
	2"	K Solid Urethane	Delrin	700 lbs	5-1/2"	3"	CAS40156YZ-KPU11(KK)	
	2"	RT Reinforced Thermoplastic	Roller	700 lbs	5-1/2"	3"	CAS40156YZ-FRT51(KK)	
	2"	RT Reinforced Thermoplastic	Delrin	700 lbs	5-1/2"	3"	CAS40156YZ-FRT11(KK)	
	2"	Eagle Urethane	Roller	600 lbs	5-1/2"	3"	CAS40156YZ-FRT51(BK)	
	2"	Eagle Urethane	Delrin	600 lbs	5-1/2"	3"	CAS40156YZ-FRT11(BK)	
5"	2"	Soft Rubber	Roller	450 lbs	6-1/2"	3-11/16"	CAS50156YZ-SFR51(KK)	
	2"	Hard Rubber	Roller	600 lbs	6-1/2"	3-11/16"	CAS50156YZ-HDR51(KK)	
	2"	Polyolefin	Sealed Roller	650 lbs	6-1/2"	3-11/16"	CAS50156YZ-POD81(KK)	
	2"	Phenolic	Sealed Roller	1,250 lbs	6-1/2"	3-11/16"	CAS50156YZ-PHN81(KK)	
	2"	Urethane on Aluminum	Sealed Roller	1,250 lbs	6-1/2"	3-11/16"	CAS50156YZ-UOA81(BG)	
	2"	Steel	Roller	1,250 lbs	6-1/2"	3-11/16"	CAS50156YZ-STL51(GG)	
	2"	K Solid Urethane	Roller	1,000 lbs	6-1/2"	3-11/16"	CAS50156YZ-KPU81(KK)	
	2"	K Solid Urethane	Delrin	1,000 lbs	6-1/2"	3-11/16"	CAS50156YZ-KPU11(KK)	
	2"	RT Reinforced Thermoplastic	Roller	1,000 lbs	6-1/2"	3-11/16"	CAS50156YZ-FRT51(KK)	
	2"	RT Reinforced Thermoplastic	Delrin	1,000 lbs	6-1/2"	3-11/16"	CAS50156YZ-FRT11(KK)	
	2"	Eagle Urethane	Roller	1,100 lbs	6-1/2"	3-11/16"	CAS50156YZ-FRT51(BK)	
	2"	Eagle Urethane	Delrin	1,100 lbs	6-1/2"	3-11/16"	CAS50156YZ-FRT11(BK)	
6"	2"	Soft Rubber	Roller	475 lbs	7-1/2"	4-3/8"	CAS60156YZ-SFR51(KK)	
	2"	Hard Rubber	Roller	650 lbs	7-1/2"	4-3/8"	CAS60156YZ-HDR51(KK)	
	2"	Polyolefin	Sealed Roller	700 lbs	7-1/2"	4-3/8"	CAS60156YZ-POD81(KK)	
	2"	Phenolic	Sealed Roller	1,250 lbs	7-1/2"	4-3/8"	CAS60156YZ-PHN81(KK)	
	2"	Urethane on Aluminum	Sealed Roller	1,250 lbs	7-1/2"	4-3/8"	CAS60156YZ-UOA81(BG)	
	2"	Steel	Roller	1,250 lbs	7-1/2"	4-3/8"	CAS60156YZ-STL51(GG)	
	2"	K Solid Urethane	Roller	1,200 lbs	7-1/2"	4-3/8"	CAS60156YZ-KPU81(KK)	
	2"	K Solid Urethane	Delrin	1,200 lbs	7-1/2"	4-3/8"	CAS60156YZ-KPU11(KK)	
	2"	RT Reinforced Thermoplastic	Roller	1,200 lbs	7-1/2"	4-3/8"	CAS60156YZ-FRT51(KK)	
	2"	RT Reinforced Thermoplastic	Delrin	1,200 lbs	7-1/2"	4-3/8"	CAS60156YZ-FRT11(KK)	
	2"	Eagle Urethane	Roller	1,100 lbs	7-1/2"	4-3/8"	CAS60156YZ-FRT51(BK)	
	2"	Eagle Urethane	Delrin	1,100 lbs	7-1/2"	4-3/8"	CAS60156YZ-FRT11(BK)	
	8"	2"	Soft Rubber	Roller	600 lbs	9-1/2"	5-13/16"	CAS80156YZ-SFR51(KK)
		2"	Hard Rubber	Roller	750 lbs	9-1/2"	5-13/16"	CAS80156YZ-HDR51(KK)
2"		Polyolefin	Sealed Roller	900 lbs	9-1/2"	5-13/16"	CAS80156YZ-POD81(KK)	
2"		Phenolic	Sealed Roller	1,250 lbs	9-1/2"	5-13/16"	CAS80156YZ-PHN81(KK)	
2"		Urethane on Aluminum	Sealed Roller	1,250 lbs	9-1/2"	5-13/16"	CAS80156YZ-UOA81(BG)	
2"		Steel	Roller	1,250 lbs	9-1/2"	5-13/16"	CAS80156YZ-STL51(GG)	
2"		K Solid Urethane	Roller	1,250 lbs	9-1/2"	5-13/16"	CAS80156YZ-KPU81(KK)	
2"		K Solid Urethane	Delrin	1,250 lbs	9-1/2"	5-13/16"	CAS80156YZ-KPU11(KK)	
2"		RT Reinforced Thermoplastic	Roller	1,250 lbs	9-1/2"	5-13/16"	CAS80156YZ-FRT51(KK)	
2"		RT Reinforced Thermoplastic	Delrin	1,250 lbs	9-1/2"	5-13/16"	CAS80156YZ-FRT11(KK)	
2"		Eagle Urethane	Roller	1,250 lbs	9-1/2"	5-13/16"	CAS80156YZ-FRT51(BK)	
2"		Eagle Urethane	Delrin	1,250 lbs	9-1/2"	5-13/16"	CAS80156YZ-FRT11(BK)	

Rigid Model
(Change CAS to **CAR**)



Bassick Honcho ES/ER



Features

- Drawn, single piece leg construction
- Heat treated, dual ball bearing raceways
- Yellow dichromate finish for added corrosion resistance

Applications

- Towline
- Fixture Dollies
- Freight Terminal Trucks
- Warehouse Trucks

Options

Brake: Total Lock. To order, see individual specification pages.

Wheel Selection



Hard Rubber



Phenolic



Urethane on Aluminum



Steel

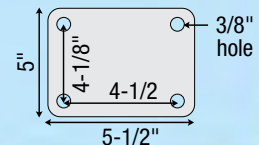
ES Swivel Top Plate Models

Wheel Dia.	Tread Width	Tread Type	Bearing Type	Dynamic Load	Mounting Height	Swivel Radius	Part Number
5"	2"	Hard Rubber	Roller	600 lbs	6-1/2"	4-5/16"	CES50157YZ-HDR51(KK)
	2"	Phenolic	Sealed Roller	1,250 lbs	6-1/2"	4-5/16"	CES50157YZ-PHN81(KK)
	2"	Urethane on Aluminum	Sealed Roller	1,500 lbs	6-1/2"	4-5/16"	CES50157YZ-UOA81(BG)
	2"	Steel	Roller	1,500 lbs	6-1/2"	4-5/16"	CES50157YZ-STL51(GG)
6"	2"	Hard Rubber	Roller	650 lbs	7-3/8"	4-13/16"	CES60157YZ-HDR51(KK)
	2"	Phenolic	Sealed Roller	1,500 lbs	7-3/8"	4-13/16"	CES60157YZ-PHN81(KK)
	2"	Urethane on Aluminum	Sealed Roller	1,500 lbs	7-3/8"	4-13/16"	CES60157YZ-UOA81(BG)
	2"	Steel	Roller	1,500 lbs	7-3/8"	4-13/16"	CES60157YZ-STL51(GG)
8"	2"	Hard Rubber	Roller	750 lbs	9-1/2"	5-7/8"	CES80157YZ-HDR51(KK)
	2"	Phenolic	Sealed Roller	1,500 lbs	9-1/2"	5-7/8"	CES80157YZ-PHN81(KK)
	2"	Urethane on Aluminum	Sealed Roller	1,500 lbs	9-1/2"	5-7/8"	CES80157YZ-UOA81(BG)
	2"	Steel	Roller	1,500 lbs	9-1/2"	5-7/8"	CES80157YZ-STL51(GG)

ER Rigid Top Plate Models

Wheel Dia.	Tread Width	Tread Type	Bearing Type	Dynamic Load	Mounting Height	Swivel Radius	Part Number
5"	2"	Hard Rubber	Roller	600 lbs	6-1/2"	N/A	CER50157YZ-HDR51(KK)
	2"	Phenolic	Sealed Roller	1,250 lbs	6-1/2"	N/A	CER50157YZ-PHN81(KK)
	2"	Urethane on Aluminum	Sealed Roller	1,500 lbs	6-1/2"	N/A	CER50157YZ-UOA81(BG)
	2"	Steel	Roller	1,500 lbs	6-1/2"	N/A	CER50157YZ-STL51(GG)
6"	2"	Hard Rubber	Roller	650 lbs	7-3/8"	N/A	CER60157YZ-HDR51(KK)
	2"	Phenolic	Sealed Roller	1,500 lbs	7-3/8"	N/A	CER60157YZ-PHN81(KK)
	2"	Urethane on Aluminum	Sealed Roller	1,500 lbs	7-3/8"	N/A	CER60157YZ-UOA81(BG)
	2"	Steel	Roller	1,500 lbs	7-3/8"	N/A	CER60157YZ-STL51(GG)
8"	2"	Hard Rubber	Roller	750 lbs	9-1/2"	N/A	CER80157YZ-HDR51(KK)
	2"	Phenolic	Sealed Roller	1,500 lbs	9-1/2"	N/A	CER80157YZ-PHN81(KK)
	2"	Urethane on Aluminum	Sealed Roller	1,500 lbs	9-1/2"	N/A	CER80157YZ-UOA81(BG)
	2"	Steel	Roller	1,500 lbs	9-1/2"	N/A	CER80157YZ-STL51(GG)

▲ 157



Total Lock Brake
Add [TLB] at end of model.



Bassick Honcho OS/OR



Features

- Heavy, stamped leg construction
- Heat treated, dual ball bearing raceways
- Wraparound welded legs are located directly under the main support swivel bearings for added strength
- Sealed upper and lower ball races
- Yellow dichromate finish for added corrosion resistance

Applications

- Power Towed Application
- Terminal Trucks
- High Abuse Applications

Options

Swivel Lock: 4 position swivel lock. To order, add [-SLB] to end of model.

Wheel Selection



Urethane on Aluminum



Steel



Swivel Lock
Add [-SLB] at end of model.



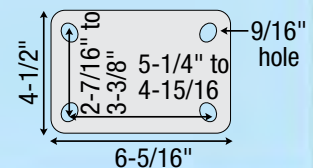
OS Swivel Top Plate Models

Wheel Dia.	Tread Width	Tread Type	Bearing Type	Dynamic Load	Mounting Height	Swivel Radius	Part Number
5"	2"	Urethane on Aluminum	Sealed Roller	1,500 lbs	6-1/2"	4"	COS50158YZ-UOA81(BG)
	2"	Steel	Roller	1,750 lbs	6-1/2"	4"	COS50158YZ-STL51(GG)
6"	2"	Urethane on Aluminum	Sealed Roller	1,500 lbs	7-1/2"	4-3/4"	COS60158YZ-UOA81(BG)
	2"	Steel	Roller	1,750 lbs	7-1/2"	4-3/4"	COS60158YZ-STL51(GG)
8"	2"	Urethane on Aluminum	Sealed Roller	1,500 lbs	9-1/2"	6"	COS80158YZ-UOA81(BG)
	2"	Steel	Roller	1,750 lbs	9-1/2"	6"	COS80158YZ-STL51(GG)

OR Rigid Top Plate Models

Wheel Dia.	Tread Width	Tread Type	Bearing Type	Dynamic Load	Mounting Height	Swivel Radius	Part Number
5"	2"	Urethane on Aluminum	Sealed Roller	1,500 lbs	6-1/2"	N/A	COR50158YZ-UOA81(BG)
	2"	Steel	Roller	1,750 lbs	6-1/2"	N/A	COR50158YZ-STL51(GG)
6"	2"	Urethane on Aluminum	Sealed Roller	1,500 lbs	7-1/2"	N/A	COR60158YZ-UOA81(BG)
	2"	Steel	Roller	1,750 lbs	7-1/2"	N/A	COR60158YZ-STL51(GG)
8"	2"	Urethane on Aluminum	Sealed Roller	1,500 lbs	9-1/2"	N/A	COR80158YZ-UOA81(BG)
	2"	Steel	Roller	1,750 lbs	9-1/2"	N/A	COR80158YZ-STL51(GG)

▲ 158



Bassick Honcho HS/HR



Features

- Heavy steel, dual ball raceway
- Durable stamped-welded construction
- 2-1/2" wide wheels for increased load handling
- Heavy, staked kingpin
- Sealed upper and lower ball races
- Yellow dichromate finish for added corrosion resistance

Applications

- Power Towed Application
- High Abuse Applications
- Rough floors

Options

Swivel Lock: 4 position swivel lock. To order, add [-SLB] to end of model.

Wheel Selection



Urethane on Aluminum



Swivel Lock
Add [-SLB] at end of model.



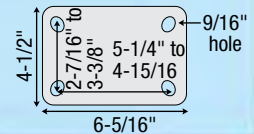
HS Swivel Top Plate Models

Wheel Dia.	Tread Width	Tread Type	Bearing Type	Dynamic Load	Mounting Height	Swivel Radius	Part Number
6"	2-1/2"	Urethane on Aluminum	Sealed Roller	1,750 lbs	7-1/2"	4-3/4"	CHS60158YZ-UOA81(BG)
8"	2-1/2"	Urethane on Aluminum	Sealed Roller	1,750 lbs	9-1/2"	6"	CHS80158YZ-UOA81(BG)
10"	2-1/2"	Urethane on Aluminum	Sealed Roller	1,750 lbs	11-1/2"	7-1/4"	CHS10158YZ-UOA81(BG)

HR Rigid Top Plate Models

Wheel Dia.	Tread Width	Tread Type	Bearing Type	Dynamic Load	Mounting Height	Swivel Radius	Part Number
6"	2-1/2"	Urethane on Aluminum	Sealed Roller	1,750 lbs	7-1/2"	N/A	CHR60158YZ-UOA81(BG)
8"	2-1/2"	Urethane on Aluminum	Sealed Roller	1,750 lbs	9-1/2"	N/A	CHR80158YZ-UOA81(BG)
10"	2-1/2"	Urethane on Aluminum	Sealed Roller	1,750 lbs	11-1/2"	N/A	CHR10158YZ-UOA81(BG)

▲ 158



Bassick Honcho HA/HB



Features

- Tapered roller bearing in swivel section
- 1" Kingbolt, integrally forged into top plate
- Legs fully welded inside and out for added strength and stability
- Gold painted finish

Applications

- Fixture Trucks
- Heavy Engine Stands
- Assembly Line Trucks

Wheel Selection



Steel



Cast Iron



V-Groove



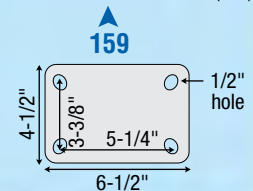
HA Swivel Top Plate Models

Wheel Dia.	Tread Width	Tread Type	Bearing Type	Dynamic Load	Mounting Height	Swivel Radius	Part Number
5"	2-1/2"	Cast Iron	Roller	2,000 lbs	7-5/8"	4-7/16"	CHA50159GP-CAI51(GG)
6"	2-1/2"	Cast Iron	Roller	3,000 lbs	8-5/32"	5"	CHA60159GP-CAI51(GG)
		Steel	Roller	3,000 lbs	8-5/32"	5"	CHA60159GP-STL51(GG)
		Steel	Tapered Roller	3,000 lbs	8-5/32"	5"	CHA60159GP-STL91(GG)
		V-Groove	Tapered Roller	3,000 lbs	8-5/32"	5"	CHA60159GP-STV51(GG)
8"	2-1/2"	Cast Iron	Roller	3,000 lbs	10-5/16"	6-1/2"	CHA80159GP-CAI51(GG)
		Steel	Roller	3,500 lbs	10-5/16"	6-1/2"	CHA80159GP-STL51(GG)



HB Rigid Top Plate Models

Wheel Dia.	Tread Width	Tread Type	Bearing Type	Dynamic Load	Mounting Height	Swivel Radius	Part Number
5"	2-1/2"	Cast Iron	Roller	2,000 lbs	7-5/8"	N/A	CHB50159GP-CAI51(GG)
6"	2-1/2"	Cast Iron	Roller	3,000 lbs	8-5/32"	N/A	CHB60159GP-CAI51(GG)
		Steel	Roller	3,000 lbs	8-5/32"	N/A	CHB60159GP-STL51(GG)
		Steel	Tapered Roller	3,000 lbs	8-5/32"	N/A	CHB60159GP-STL91(GG)
		V-Groove	Tapered Roller	3,000 lbs	8-5/32"	N/A	CHB60159GP-STV51(GG)
8"	2-1/2"	Cast Iron	Roller	3,000 lbs	10-3/16"	N/A	CHB80159GP-CAI51(GG)
		Steel	Roller	3,500 lbs	10-3/16"	N/A	CHB80159GP-STL51(GG)



Pacer Hooded Die-Cast Twin Wheel



Features

- Zinc die-cast body and hood
- Concealed axle

Applications

- Seating
- Electronic Equipment
- Store Fixtures
- Office Equipment

Options

Fasteners: Stemless, threaded stem, grip ring stem, grip neck stem, plate.

Brake: To order, insert [-B] at the end of the Part Number (50mm models only).

Finishes: Bright Chrome, Brass Plate, Flat Black, Satin Chrome, Windsor Antique

Urethane Wheel: To order, insert [-U] at the end of the Part Number.

Finish Selection



Bright Chrome



Brass Plate



Flat Black



Satin Chrome



Windsor Antique

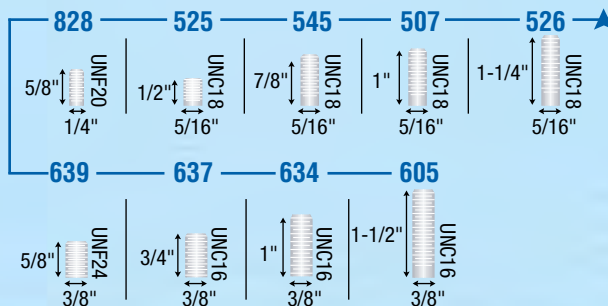


Threaded Stem Models

Wheel Diameter	Tread Material*	Finish	Dynamic Load	Mounting Height	Swivel Radius	Part Number	Fastening Selection
50mm	Nylon	Bright Chrome	75 lbs	2-1/2"	1-3/4"	PPA50_BC	507, 525, 605, 634, 637, 639, 828
	Nylon	Brass Plate	75 lbs	2-1/2"	1-3/4"	PPA50_BR	507, 525, 605, 634, 637, 639, 828
	Nylon	Flat Black	75 lbs	2-1/2"	1-3/4"	PPA50_FB	507, 525, 605, 634, 637, 639, 828
	Nylon	Satin Chrome	75 lbs	2-1/2"	1-3/4"	PPA50_SC	507, 525, 605, 634, 637, 639, 828
	Nylon	Windsor Antique	75 lbs	2-1/2"	1-3/4"	PPA50_WA	507, 525, 605, 634, 637, 639, 828
60mm	Nylon	Bright Chrome	100 lbs	2-7/8"	2-3/16"	PPA60_BC	525, 526, 545, 605, 637, 639
	Nylon	Brass Plate	100 lbs	2-7/8"	2-3/16"	PPA60_BR	525, 526, 545, 605, 637, 639
	Nylon	Flat Black	100 lbs	2-7/8"	2-3/16"	PPA60_FB	525, 526, 545, 605, 637, 639
	Nylon	Satin Chrome	100 lbs	2-7/8"	2-3/16"	PPA60_SC	525, 526, 545, 605, 637, 639
	Nylon	Windsor Antique	100 lbs	2-7/8"	2-3/16"	PPA60_WA	525, 526, 545, 605, 637, 639

For Brake add -B to end of part number swivel radius is 2-7/16" (50mm diameter models only).

*For Urethane tread add -U to end of part number. Not available on brake models.



To order include fastener code.
Example:
PPA60**526**BC.



Pacer Hooded Die-Cast Twin Wheel



Grip Ring and Grip Neck Stem Models

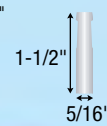
Wheel Diameter	Tread Material*	Finish	Dynamic Load	Mounting Height	Swivel Radius	Part Number	Fastening Selection
50mm	Nylon	Bright Chrome	75 lbs	2-3/8"	1-3/4"	PPA50_BC	211, 222, 223, 302
	Nylon	Bright Brass	75 lbs	2-3/8"	1-3/4"	PPA50_BR	211, 222, 223, 302
	Nylon	Flat Black	75 lbs	2-3/8"	1-3/4"	PPA50_FB	211, 222, 223, 302
	Nylon	Satin Chrome	75 lbs	2-3/8"	1-3/4"	PPA50_SC	211, 222, 223, 302
	Nylon	Windsor Antique	75 lbs	2-3/8"	1-3/4"	PPA50_WA	211, 222, 223, 302
60mm	Nylon	Bright Chrome	100 lbs	2-3/4"	2-3/16"	PPA60_BC	211, 222, 223, 302
	Nylon	Bright Brass	100 lbs	2-3/4"	2-3/16"	PPA60_BR	211, 222, 223, 302
	Nylon	Flat Black	100 lbs	2-3/4"	2-3/16"	PPA60_FB	211, 222, 223, 302
	Nylon	Satin Chrome	100 lbs	2-3/4"	2-3/16"	PPA60_SC	211, 222, 223, 302
	Nylon	Windsor Antique	100 lbs	2-3/4"	2-3/16"	PPA60_WA	211, 222, 223, 302

For Brake add -B to end of part number swivel radius is 2-7/16" (50mm diameter models only).

*For Urethane tread add -U to end of part number. Not available on brake models.

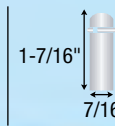
Grip Neck Stem

302



Grip Ring

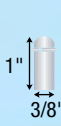
211



223



222



To order include fastener code.

Example: PPA50**222**BC.



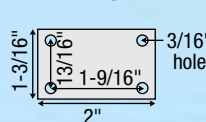
Swivel Top Plate Models

Wheel Diameter	Tread Material*	Finish	Dynamic Load	Mounting Height	Swivel Radius	Part Number	Fastening Selection
50mm	Nylon	Bright Chrome	75 lbs	2-11/16"	1-3/4"	PPA50_BC	101, 113
	Nylon	Bright Brass	75 lbs	2-11/16"	1-3/4"	PPA50_BR	101, 113
	Nylon	Flat Black	75 lbs	2-11/16"	1-3/4"	PPA50_FB	101, 113
	Nylon	Satin Chrome	75 lbs	2-11/16"	1-3/4"	PPA50_SC	101, 113
	Nylon	Windsor Antique	75 lbs	2-11/16"	1-3/4"	PPA50_WA	101, 113
60mm	Nylon	Bright Chrome	100 lbs	3-1/16"	2-3/16"	PPA60_BC	101, 113
	Nylon	Bright Brass	100 lbs	3-1/16"	2-3/16"	PPA60_BR	101, 113
	Nylon	Flat Black	100 lbs	3-1/16"	2-3/16"	PPA60_FB	101, 113
	Nylon	Satin Chrome	100 lbs	3-1/16"	2-3/16"	PPA60_SC	101, 113
	Nylon	Windsor Antique	100 lbs	3-1/16"	2-3/16"	PPA60_WA	101, 113

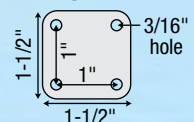
For Brake add -B to end of part number swivel radius is 2-7/16" (50mm diameter models only).

*For Urethane tread add -U to end of part number. Not available on brake models.

113



101



To order include fastener code.
Example: PPA50**113**BC.

Pilot Unhooded Die-Cast Twin Wheel



Features

- Zinc die-cast body
- Concealed axle

Applications

- Seating
- Electronic Equipment
- Store Fixtures

Options

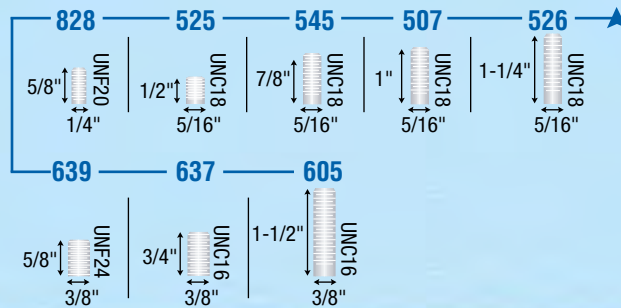
Fasteners: Stemless, threaded stem, grip ring stem, grip neck stem, plate.

Urethane Wheel: To order, insert [-U] at the end of the Part Number.



Threaded Stem Models

Wheel Diameter	Tread Material	Finish	Dynamic Load	Mounting Height	Swivel Radius	Part Number	Fastening Selection
50mm	Nylon	Flat Black	75 lbs	2-1/2"	1-11/16"	PPB50__FB	828, 525, 507, 639, 637, 605
60mm	Nylon	Flat Black	100 lbs	2-7/8"	2-1/16"	PPB60__FB	525, 545, 526, 639, 637, 605



To order include fastener code.
Example:
PPB60**526**FB.

Pilot Unhooded Die-Cast Twin Wheel

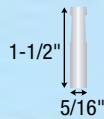


Grip Ring and Grip Neck Stem Models

Wheel Diameter	Tread Material	Finish	Dynamic Load	Mounting Height	Swivel Radius	Part Number	Fastening Selection
50mm	Nylon	Flat Black	75 lbs	2-3/8"	1-11/16"	PPB50__FB	222, 223, 211
60mm	Nylon	Flat Black	100 lbs	2-3/4"	2-1/16"	PPB60__FB	222, 223, 211

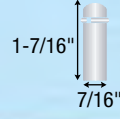
Grip Neck Stem

302



Grip Ring

211



223



222



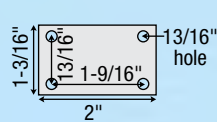
To order include fastener code.
Example:
PPB50**222**FB.



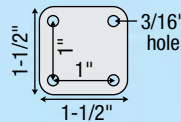
Swivel Top Plate Models

Wheel Diameter	Tread Material	Finish	Dynamic Load	Mounting Height	Swivel Radius	Part Number	Fastening Selection
50mm	Nylon	Flat Black	75 lbs	2-11/16"	1-11/16"	PPB50__FB	101
60mm	Nylon	Flat Black	100 lbs	3-1/16"	2-1/16"	PPB60__FB	113

113



101



To order include fastener code.
Example:
PPB60**113**FB.

Source II Nylon Hooded Twin Wheel Casters



Features

- All nylon construction
- Steel axle and fastening

Applications

- Furniture
- Display Units
- Medical Equipment
- Utility Carts
- Office Equipment

Options

Fasteners: Threaded, Top Plate, Grip Ring, Grip Neck

Brake: Available for black models only. To order, insert [-B] at the end of the Part Number.

Finishes: Black and Windsor Antique Metallic Hood.

Finish Selection



Black



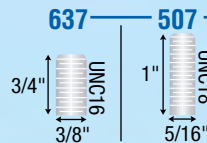
Windsor Antique



Threaded Stem Models

Wheel Diameter	Tread Material	Finish	Dynamic Load	Mounting Height	Swivel Radius	Part Number	Fastening Selection
40mm	Nylon	Black	40 lbs	2"	1-11/16"	PTW40__BK	637, 507
50mm	Nylon	Black	75 lbs	2-3/8"	2"	PTW50__BK	637, 507
		Windsor Antique	75 lbs	2-3/8"	2"	PTW50__WA	637, 507
60mm	Nylon	Black	100 lbs	2-3/4"	2-1/4"	PTW60__BK	637, 507
		Windsor Antique	100 lbs	2-3/4"	2-1/4"	PTW60__WA	637, 507

Brake is available for black models only. For Brake add -B to end of part number swivel radius is 1-15/16" (40mm), 2-7/16" (50mm), 2-7/8" (60mm).



To order include fastener code. Example: (PTW40**507**BK).

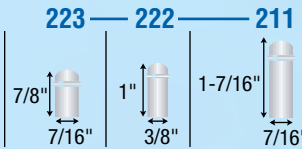
Source II Nylon Hooded Twin Wheel Casters



Grip Ring Stem Models

Wheel Diameter	Tread Material	Finish	Dynamic Load	Mounting Height	Swivel Radius	Part Number	Fastening Selection
40mm	Nylon	Black	40 lbs	2"	1-11/16"	PTW40__BK	223
50mm	Nylon	Black	75 lbs	2-3/8"	2"	PTW50__BK	222, 223, 211
	Nylon	Windsor Antique	75 lbs	2-3/8"	2"	PTW50__WA	222, 223, 211
60mm	Nylon	Black	100 lbs	2-3/4"	2-1/4"	PTW60__BK	223, 211
	Nylon	Windsor Antique	100 lbs	2-3/4"	2-1/4"	PTW60__WA	223, 211

Brake is available for black models only. For Brake add -B to end of part number swivel radius is 1-15/16" (40mm), 2-7/16" (50mm), 2-7/8" (60mm).



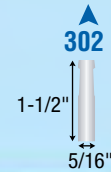
To order include fastener code. Example: (PTW40**223**BK).



Grip Neck Stem Models

Wheel Diameter	Tread Material	Finish	Dynamic Load	Mounting Height	Swivel Radius	Part Number	Fastening Selection
40mm	Nylon	Black	40 lbs	2"	1-11/16"	PTW40302BK	302
50mm	Nylon	Black	75 lbs	2-3/8"	2"	PTW50302BK	302
	Nylon	Windsor Antique	75 lbs	2-3/8"	2"	PTW50302WA	302
60mm	Nylon	Black	100 lbs	2-3/4"	2-1/4"	PTW60302BK	302
	Nylon	Windsor Antique	100 lbs	2-3/4"	2-1/4"	PTW60302WA	302

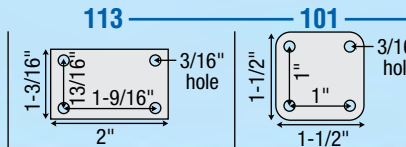
Brake is available for black models only. For Brake add -B to end of part number swivel radius is 1-15/16" (40mm), 2-7/16" (50mm), 2-7/8" (60mm).



Swivel Top Plate Models

Wheel Diameter	Tread Material	Finish	Dynamic Load	Mounting Height	Swivel Radius	Part Number	Fastening Selection
40mm	Nylon	Black	40 lbs.	2-1/4"	1-11/16"	PTW40__BK	113, 101
50mm	Nylon	Black	75 lbs	2-5/8"	2"	PTW50__BK	113, 101
	Nylon	Windsor Antique	75 lbs	2-5/8"	2"	PTW50__WA	113, 101
60mm	Nylon	Black	100 lbs	3"	2-1/4"	PTW60__BK	113, 101
	Nylon	Windsor Antique	100 lbs	3"	2-1/4"	PTW60__WA	113, 101

Brake is available for black models only. For Brake add -B to end of part number swivel radius is 1-15/16" (40mm), 2-7/16" (50mm), 2-7/8" (60mm).



To order include fastener code. Example: (PTW40**113**BK).

Pert Nylon Hooded Twin Wheel Casters



Features

- Strong nylon hood and body
- Stocked as components and automatically assembled to fill large orders quickly

Applications

- Furniture
- POP Displays
- Stands

Options

Fasteners: Threaded, Top Plate, Grip Ring, Grip Neck



Threaded Stem Models

Wheel Diameter	Tread Material	Finish	Dynamic Load	Mounting Height	Swivel Radius	Part Number	Fastening Selection
52mm	Nylon	Black	75 lbs	2-1/2"	1-13/16"	PPE52__BK	828,525,507,639,637
						828 — 525 — 507 — 639 — 637	
						5/8" UNF20 1/2" UNC18 1" UNC18 5/8" UNF24 3/4" UNC16	
							To order include fastener code. Example: (PPE52 828 BK).

Pert Nylon Hooded Twin Wheel Casters



Grip Neck & Grip Ring Stem Models

Wheel Diameter	Tread Material	Finish	Dynamic Load	Mounting Height	Swivel Radius	Part Number	Fastening Selection
52mm	Nylon	Black	75 lbs	2-1/2"	1-13/16"	PPE52__BK	302,211,223,222

Grip Neck Stem 302 	Grip Ring Stems 211 	223 	222
---	--	----------------	----------------

To order include fastener code.
Example: (PPE52**302**BK).



Swivel Top Plate Models

Wheel Diameter	Tread Material	Finish	Dynamic Load	Mounting Height	Swivel Radius	Part Number	Fastening Selection
52mm	Nylon	Black	75 lbs	2-1/2"	1-13/16"	PPE52__BK	101, 113

113 	101
----------------	----------------

To order include fastener code.
Example: (PPE52**101**BK).

Replacement Chair



Features	Applications	Options
----------	--------------	---------

- Constructed of injection-molded engineering grade nylon
- Nylon tread for carpeting and urethane for hard floors

- Seating
- Medical Equipment

1-1/2" or 1-3/4" pivot boss sizes



Nylon Wheel

Urethane Wheel

Grip Ring Stem Models

Wheel Diameter	Pivot Boss Diameter	Tread Material	Dynamic Load	Mounting Height	Swivel Radius	Part Number	Fastening Selection
55mm	1-1/2"	Nylon	75 lbs.	2-1/4"	2-9/16"	PHT55058BK-02532	58
	1-3/4"	Nylon	75 lbs.	2-1/8"	2-9/16"	PHG55058BK-02532	58
	1-1/2"	Urethane	75 lbs.	2-1/4"	2-9/16"	PHT55058BK-02524	58
	1-3/4"	Urethane	75 lbs.	2-1/8"	2-9/16"	PHG55058BK-02524	58



Prim Nylon Unhooded Twin Wheel Casters



Features

- Strong nylon hood and body
- Can be ordered with fastening separate for flexible installation

Applications

- Furniture
- POP Displays
- Furniture
- Stands

Options

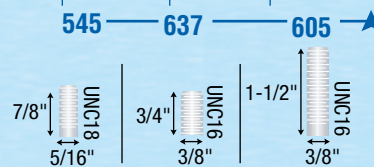
Fasteners: Threaded, Top Plate, Grip Ring, Grip Neck
Brake: To order, insert [-B] at the end of the Part Number.



For Brake add -B to end of part number swivel radius is. 2-11/16".

Threaded Stem Models

Wheel Diameter	Tread Material	Finish	Dynamic Load	Mounting Height	Swivel Radius	Part Number	Fastening Selection
60mm	Nylon	Black	100 lbs	2-7/8"	2"	PPT60__BK	545, 637, 605



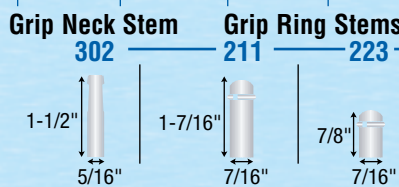
To order include fastener code. Example: (PPT60**545**BK).



For Brake add -B to end of part number swivel radius is. 2-11/16".

Grip Neck and Grip Ring Stem

Wheel Diameter	Tread Material	Finish	Dynamic Load	Mounting Height	Swivel Radius	Part Number	Fastening Selection
60mm	Nylon	Black	100 lbs	2-7/8"	2"	PPT60__BK	211, 223, 302



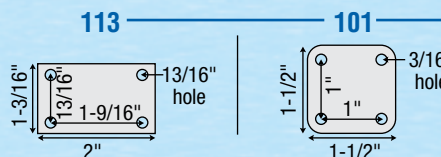
To order include fastener code. Example: (PPT60**302**BK).



For Brake add -B to end of part number swivel radius is. 2-11/16".

Swivel Top Plate Models

Wheel Diameter	Tread Material	Finish	Dynamic Load	Mounting Height	Swivel Radius	Part Number	Fastening Selection
60mm	Nylon	Black	100 lbs	2-7/8"	2"	PPT60__BK	101,113



To order include fastener code. Example: (PPT60**113**BK).



Features

- Contemporary design
- Choice of nylon or urethane wheel
- Riveted axle for positive wheel retention on all except for 50mm and 60mm nylon models

Applications

- Medical Equipment
- Utility Carts
- Furniture
- Store Fixtures
- Office Equipment

Options

Fasteners: Threaded, Top Plate, Grip Ring, Grip Neck

Brake: To order insert [-B] at the end of the Part Number. For brake model with urethane wheel insert [-BU] after model number.

Wheel Selection

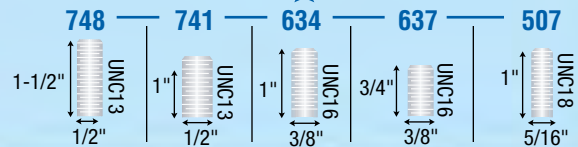


For brake add [-B] to end of part number. Swivel radius for 50mm is 2-3/8", 60mm is 2-1/2", 75mm is 3-3/16", 100mm is 4-1/2", 125mm is 5-1/8".

Threaded Stem Models

Wheel Diameter	Tread Material	Dynamic Load	Mounting Height	Swivel Radius	Part Number	Fastening Selection
50mm	Nylon	75 lbs.	2-1/4"	1-13/16"	PUT50__BK	507, 637, 634
	Urethane	75 lbs.	2-1/4"	1-13/16"	PUT50__BK-U	507, 637, 634
60mm	Nylon	100 lbs.	2-5/8"	2-1/16"	PUT60__BK	507, 637, 634
	Urethane	100 lbs.	2-5/8"	2-1/16"	PUT60__BK-U	507, 637, 634
75mm	Nylon	165 lbs.	3-1/4"	2-1/2"	PUT75__BK	507, 637, 634, 741, 748
	Urethane	165 lbs.	3-1/4"	2-1/2"	PUT75__BK-U	507, 637, 634, 741, 748
100mm	Nylon	175 lbs.	4-3/8"	3-5/8"	PUT100__BK	637, 634, 741, 748
	Urethane	175 lbs.	4-3/8"	3-5/8"	PUT100__BK-U	637, 634, 741, 748
125mm	Nylon	180 lbs.	5-7/16"	4-1/2"	PUT125__BK	741, 748
	Urethane	180 lbs.	5-7/16"	4-1/2"	PUT125__BK-U	741, 748

To order include fastener code. Example: (PUT75**507**BK).

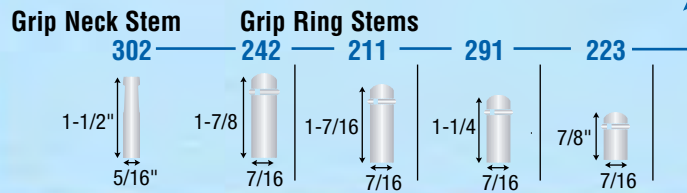




For brake add [-B] to end of part number. Swivel radius for 50mm is 2-3/8", 60mm is 2-1/2", 75mm is 3-3/16", 100mm is 4-1/2", 125mm is 5-1/8".

Grip Ring and Grip Neck Stem Models

Wheel Diameter	Tread Material	Dynamic Load	Mounting Height	Swivel Radius	Part Number	Fastening Selection
50mm	Nylon	75 lbs.	2-1/4"	1-13/16"	PUT50__BK	302, 223, 211, 273
	Urethane	75 lbs.	2-1/4"	1-13/16"	PUT50__BK-U	302, 223, 211, 273
60mm	Nylon	100 lbs.	2-5/8"	2-1/16"	PUT60__BK	302, 223, 211, 273
	Urethane	100 lbs.	2-5/8"	2-1/16"	PUT60__BK-U	302, 223, 211, 273
75mm	Nylon	165 lbs.	3-3/16"	2-1/2"	PUT75__BK	302, 223, 211, 291, 242
	Urethane	165 lbs.	3-3/16"	2-1/2"	PUT75__BK-U	302, 223, 211, 291, 242
100mm	Nylon	175 lbs.	4-5/16"	3-5/8"	PUT100__BK	223, 291, 211
	Urethane	175 lbs.	4-5/16"	3-5/8"	PUT100__BK-U	223, 291, 211
125mm	Nylon	180 lbs.	5-5/16"	4-1/2"	PUT125__BK	291, 211
	Urethane	180 lbs.	5-5/16"	4-1/2"	PUT125__BK-U	291, 211



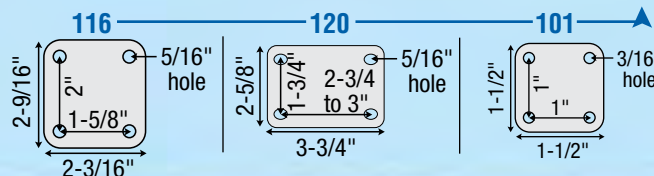
To order include fastener code. Example: (PUT75**223**BK).



For brake add [-B] to end of part number. Swivel radius for 50mm is 2-3/8", 60mm is 2-1/2", 75mm is 3-3/16", 100mm is 4-1/2", 125mm is 5-1/8".

Swivel Top Plate Models

Wheel Diameter	Tread Material	Dynamic Load	Mounting Height	Swivel Radius	Part Number	Fastening Selection
50mm	Nylon	75 lbs.	2-3/8"	1-13/16"	PUT50101BK	101
	Urethane	75 lbs.	2-3/8"	1-13/16"	PUT50101BK-U	101
60mm	Nylon	100 lbs.	2-3/4"	2-1/16"	PUT60101BK	101
	Urethane	100 lbs.	2-3/4"	2-1/16"	PUT60101BK-U	101
75mm	Nylon	165 lbs.	3-1/2"	2-1/2"	PUT75__BK	101, 120, 116
	Urethane	165 lbs.	3-1/2"	2-1/2"	PUT75__BK-U	101, 120, 116
100mm	Nylon	175 lbs.	4-5/8"	3-5/8"	PUT100__BK	120, 116
	Urethane	175 lbs.	4-5/8"	3-5/8"	PUT100__BK-U	120, 116
125mm	Nylon	180 lbs.	5-5/8"	4-1/2"	PUT125__BK	120, 116
	Urethane	180 lbs.	5-5/8"	4-1/2"	PUT125__BK-U	120, 116



To order include fastener code. Example: (PUT75**101**BK).

Softech Soft Tread Twin Wheel Casters



Features

- Soft 70-75/A durometer tread constructed of high-tech thermoplastic elastomer
- High load ratings
- Quiet mobility
- Riveted axle for positive wheel retention

Applications

- Electronic Equipment
- Medical Equipment
- Audio/Visual Equipment
- Furniture

Options

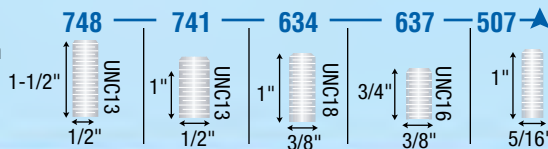
Fasteners: Threaded, Top Plate, Grip Ring, Grip Neck
Brake: To order insert [-B] at the end of the Part Number.



Threaded Stem Models (Black)

Wheel Diameter	Tread Material	Dynamic Load	Mounting Height	Swivel Radius	Part Number	Fastening Selection
50mm	Thermoplastic Elastomer	75 lbs.	2-1/4"	1-13/16"	PSF50__BK	507, 637, 634
60mm	Thermoplastic Elastomer	100 lbs.	2-5/8"	2-1/16"	PSF60__BK	507, 637, 634
75mm	Thermoplastic Elastomer	165 lbs.	3-1/4"	2-1/2"	PSF75__BK	507, 637, 634, 741, 748
100mm	Thermoplastic Elastomer	225 lbs.	4-3/8"	3-5/8"	PSF100__BK	637, 634, 741, 748
125mm	Thermoplastic Elastomer	225 lbs.	5-7/16"	4-1/2"	PSF125__BK	741, 748

For brake add [-B] to end of part number. Swivel radius for 50mm is 2-3/8", 60mm is 2-1/2", 75mm is 3-3/16", 100mm is 4-1/2", 125mm is 5-1/8".



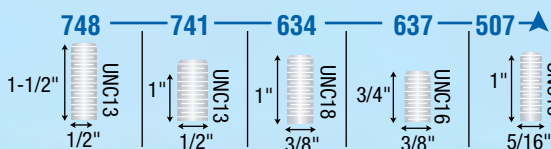
To order include fastener code.
 Example:
 (PSF75507BK).



Threaded Stem Models (Grey)

Wheel Diameter	Tread Material	Dynamic Load	Mounting Height	Swivel Radius	Part Number	Fastening Selection
50mm	Thermoplastic Elastomer	75 lbs.	2-1/4"	1-13/16"	PSF50__GR	507, 637, 634
60mm	Thermoplastic Elastomer	100 lbs.	2-5/8"	2-1/16"	PSF60__GR	507, 637, 634
75mm	Thermoplastic Elastomer	165 lbs.	3-1/4"	2-1/2"	PSF75__GR	507, 637, 634, 741, 748
100mm	Thermoplastic Elastomer	225 lbs.	4-3/8"	3-5/8"	PSF100__GR	637, 634, 741, 748
125mm	Thermoplastic Elastomer	225 lbs.	5-7/16"	4-1/2"	PSF125__GR	741, 748

For brake add [-B] to end of part number. Swivel radius for 50mm is 2-3/8", 60mm is 2-1/2", 75mm is 3-3/16", 100mm is 4-1/2", 125mm is 5-1/8".



To order include fastener code.
 Example:
 (PSF75507GR).

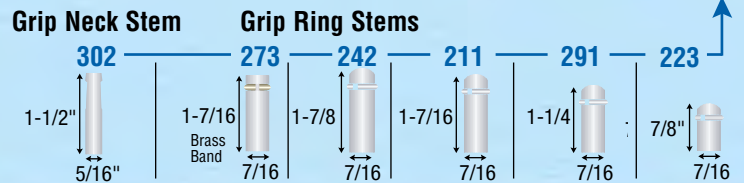
Softech Soft Tread Twin Wheel Casters



For brake add [-B] to end of part number. Swivel radius for 50mm is 2-3/8", 60mm is 2-1/2", 75mm is 3-3/16", 100mm is 4-1/2", 125mm is 5-1/8".

Grip Ring and Grip Neck Stem Models (Black)

Wheel Diameter	Tread Material	Dynamic Load	Mounting Height	Swivel Radius	Part Number	Fastening Selection
50mm	Thermoplastic Elastomer	75 lbs.	2-1/4"	1-13/16"	PSF50__BK	302, 223, 211, 273
60mm	Thermoplastic Elastomer	100 lbs.	2-5/8"	2-1/16"	PSF60__BK	302, 223, 211, 273
75mm	Thermoplastic Elastomer	165 lbs.	3-3/16"	2-1/2"	PSF75__BK	302, 223, 291, 211, 242
100mm	Thermoplastic Elastomer	225 lbs.	4-5/16"	3-5/8"	PSF100__BK	223, 291, 211
125mm	Thermoplastic Elastomer	225 lbs.	5-5/16"	4-1/2"	PSF125__BK	291, 211



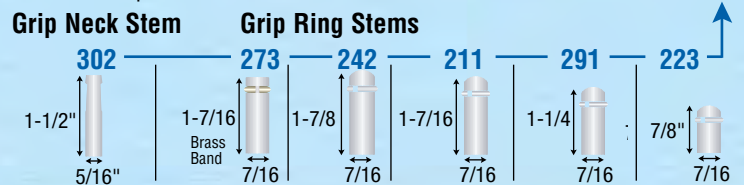
To order include fastener code. Example: (PSF75223BK).



For brake add [-B] to end of part number. Swivel radius for 50mm is 2-3/8", 60mm is 2-1/2", 75mm is 3-3/16", 100mm is 4-1/2", 125mm is 5-1/8".

Grip Ring and Grip Neck Stem Models (Grey)

Wheel Diameter	Tread Material	Dynamic Load	Mounting Height	Swivel Radius	Part Number	Fastening Selection
50mm	Thermoplastic Elastomer	75 lbs.	2-1/4"	1-13/16"	PSF50__GR	302, 223, 211, 273
60mm	Thermoplastic Elastomer	100 lbs.	2-5/8"	2-1/16"	PSF60__GR	302, 223, 211, 273
75mm	Thermoplastic Elastomer	165 lbs.	3-3/16"	2-1/2"	PSF75__GR	302, 223, 291, 211, 242
100mm	Thermoplastic Elastomer	225 lbs.	4-5/16"	3-5/8"	PSF100__GR	223, 291, 211
125mm	Thermoplastic Elastomer	225 lbs.	5-5/16"	4-1/2"	PSF125__GR	291, 211



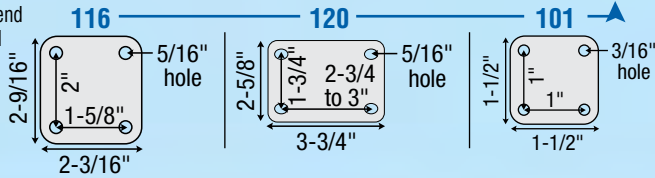
To order include fastener code. Example: (PSF75223GR).



Swivel Top Plate Models (Black)

Wheel Diameter	Tread Material	Dynamic Load	Mounting Height	Swivel Radius	Part Number	Fastening Selection
50mm	Thermoplastic Elastomer	75 lbs.	2-3/8"	1-13/16"	PSF50__BK	101
60mm	Thermoplastic Elastomer	100 lbs.	2-3/4"	2-1/16"	PSF60__BK	101
75mm	Thermoplastic Elastomer	165 lbs.	3-1/2"	2-1/2"	PSF75__BK	101, 116, 120
100mm	Thermoplastic Elastomer	225 lbs.	4-5/8"	3-5/8"	PSF100__BK	116, 120
125mm	Thermoplastic Elastomer	225 lbs.	5-5/8"	4-1/2"	PSF125__BK	116, 120

For brake add [-B] to end of part number. Swivel radius for 50mm is 2-3/8", 60mm is 2-1/2", 75mm is 3-3/16", 100mm is 4-1/2", 125mm is 5-1/8".



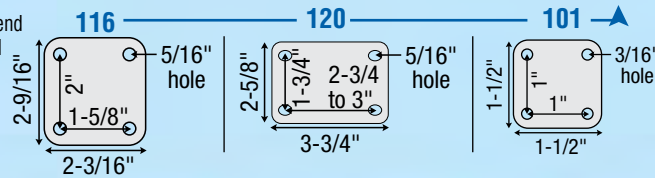
To order include fastener code. Example: (PSF75**101**BK).



Swivel Top Plate Models (Grey)

Wheel Diameter	Tread Material	Dynamic Load	Mounting Height	Swivel Radius	Part Number	Fastening Selection
50mm	Thermoplastic Elastomer	75 lbs.	2-3/8"	1-13/16"	PSF50__GR	101
60mm	Thermoplastic Elastomer	100 lbs.	2-3/4"	2-1/16"	PSF60__GR	101
75mm	Thermoplastic Elastomer	165 lbs.	3-1/2"	2-1/2"	PSF75__GR	101, 120, 116
100mm	Thermoplastic Elastomer	225 lbs.	4-5/8"	3-5/8"	PSF100__GR	120, 116
125mm	Thermoplastic Elastomer	225 lbs.	5-5/8"	4-1/2"	PSF125__GR	120, 116

For brake add [-B] to end of part number. Swivel radius for 50mm is 2-3/8", 60mm is 2-1/2", 75mm is 3-3/16", 100mm is 4-1/2", 125mm is 5-1/8".



To order include fastener code. Example: (PSF75**101**GR).

MRI Conditional Casters



Features	Applications	Options
----------	--------------	---------

- Rated MRI Conditional for use in MRI examination rooms
- 100% corrosion resistant components
- RoHS Compliant
- Soft 70-75/A durometer tread constructed of high-tech thermoplastic elastomer
- High load ratings
- Quiet mobility

- Medical Equipment
- Hospital Carts
- Electronic Equipment

Fasteners: Additional fastener options available upon request (minimums may apply).

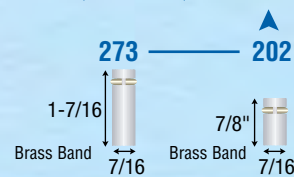
Brake: To order insert [-B] at the end of the Part Number.



Grip Ring Stem Models

Wheel Diameter	Tread Material	Dynamic Load	Mounting Height	Swivel Radius	Part Number	Fastening Selection
50mm	Thermoplastic Elastomer	75 lbs.	2-1/4"	1-13/16"	PSF50__GR-MR	273, 202
60mm	Thermoplastic Elastomer	100 lbs.	2-1/2"	2-5/8"	PSF60__GR-MR	273, 202
75mm	Thermoplastic Elastomer	165 lbs.	3-3/16"	2-1/2"	PSF75__GR-MR	273, 202

For brake add [-B] to end of part number. Swivel radius for 50mm is 2-3/8", 60mm is 2-1/2", 75mm is 3-3/16", 100mm is 4-1/2", 125mm is 5-1/8".



To order include fastener code. Example: (PSF50**273**GR-MR).



Threaded Stem Models

Wheel Diameter	Tread Material	Dynamic Load	Mounting Height	Swivel Radius	Part Number	Fastening Selection
50mm	Thermoplastic Elastomer	75 lbs.	2-1/4"	1-13/16"	PSF50651GR-MR	651
60mm	Thermoplastic Elastomer	100 lbs.	2-1/2"	2-5/8"	PSF60651GR-MR	651
75mm	Thermoplastic Elastomer	165 lbs.	3-3/16"	2-1/2"	PSF75651GR-MR	651

For brake add [-B] to end of part number. Swivel radius for 50mm is 2-3/8", 60mm is 2-1/2", 75mm is 3-3/16", 100mm is 4-1/2", 125mm is 5-1/8".



Twin Lock Total Lock Twin Wheels



Features	Applications	Options
----------	--------------	---------

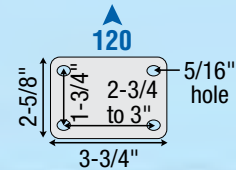
- | | | |
|---|--|---|
| <ul style="list-style-type: none"> • Total Lock version locks both swivel and wheel. • Strong nylon construction with urethane tread. | <ul style="list-style-type: none"> • Medical Equipment • Utility carts • Fixtures | <p>Brakes: Total lock locks both swivel and wheel.</p> |
|---|--|---|



Wheel Diameter	Tread Material	Dynamic Load	Mounting Height	Swivel Radius	Part Number	Fastening Selection
Threaded Stem Swivel Model						
100mm	Urethane	225 lbs.	5"	3-1/4"	PTS100748GR-U	748
Threaded Stem Total Lock Model						
100mm	Urethane	225 lbs.	5"	3-5/8"	PTL100748GR-U	748



Wheel Diameter	Tread Material	Dynamic Load	Mounting Height	Swivel Radius	Part Number	Fastening Selection
Swivel Top Plate Model						
100mm	Urethane	225 lbs.	5-3/8"	3-1/4"	PTS100120GR-U	120
Swivel Top Plate Total Lock Model						
100mm	Urethane	225 lbs.	5-3/8"	3-5/8"	PTL100120GR-U	120



Chrome Hospital



Features

- Chrome Plated Finish
- Dual Ball Swivel Raceways for added strength
- Total Lock Brake models lock both swivel and wheel
- Directional lock models lock swivel only (helps with steering)
- Precision ball bearings in wheels for easier rollability
- Wheels have full plastic thread guards for added protection

Applications

- Food Service
- Case Carts
- Hospital Equipment
- Institutional Equipment
- Medical Equipment



Total Lock
Change "SW" to "TL". Red sticker on pedal.

Direction Lock
Change "SW" to "DL". Green sticker on pedal.

Hollow Kingpin

Wheel Diameter	Tread Width	Tread Material	Bearing Type	Dynamic Load	Mounting Height	Swivel Radius*	Swivel Part Number
3"	1-1/4"	Thermoplastic Rubber	Precision Ball	190 lbs	4-5/16"	2-29/32"	CH-03TPP-125-SW-HK01
	1-1/4"	Polyurethane TPU	Precision Ball	190 lbs	4-5/16"	2-29/32"	CH-03PYP-125-SW-HK01
4"	1-1/4"	Thermoplastic Rubber	Precision Ball	240 lbs	5-5/16"	3-37/64"	CH-04TPP-125-SW-HK01
	1-1/4"	Polyurethane TPU	Precision Ball	240 lbs	5-5/16"	3-37/64"	CH-04PYP-125-SW-HK01
5"	1-1/4"	Thermoplastic Rubber	Precision Ball	260 lbs	6-5/16"	4-7/32"	CH-05TPP-125-SW-HK01
	1-1/4"	Polyurethane TPU	Precision Ball	260 lbs	6-5/16"	4-7/32"	CH-05PYP-125-SW-HK01
6"	1-1/4"	Thermoplastic Rubber	Precision Ball	260 lbs	7-9/32"	4-39/64"	CH-06TPP-125-SW-HK01
	1-1/4"	Polyurethane TPU	Precision Ball	260 lbs	7-9/32"	4-39/64"	CH-06PYP-125-SW-HK01

Caster is provided assembled. Change HK01 code to HKU1 for unassembled. 1/2" I.D.

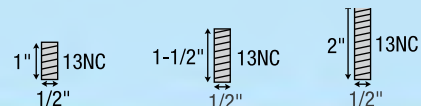
HK01

*Swivel radius for total lock and direction lock models increases to: 3"=4-1/4, 4"=4-35/64, 5" & 6"=4-55/64.

Threaded Stem Models

Wheel Diameter	Tread Width	Tread Material	Bearing Type	Dynamic Load	Mounting Height	Swivel Radius*	Swivel Part Number
3"	1-1/4"	Thermoplastic Rubber	Precision Ball	190 lbs	4-5/16"	2-29/32"	CH-03TPP-125-SW-____
	1-1/4"	Polyurethane TPU	Precision Ball	190 lbs	4-5/16"	2-29/32"	CH-03PYP-125-SW-____
4"	1-1/4"	Thermoplastic Rubber	Precision Ball	240 lbs	5-5/16"	3-37/64"	CH-04TPP-125-SW-____
	1-1/4"	Polyurethane TPU	Precision Ball	240 lbs	5-5/16"	3-37/64"	CH-04PYP-125-SW-____
5"	1-1/4"	Thermoplastic Rubber	Precision Ball	260 lbs	6-5/16"	4-7/32"	CH-05TPP-125-SW-____
	1-1/4"	Polyurethane TPU	Precision Ball	260 lbs	6-5/16"	4-7/32"	CH-05PYP-125-SW-____
6"	1-1/4"	Thermoplastic Rubber	Precision Ball	260 lbs	7-9/32"	4-39/64"	CH-06TPP-125-SW-____
	1-1/4"	Polyurethane TPU	Precision Ball	260 lbs	7-9/32"	4-39/64"	CH-06PYP-125-SW-____

TS02 TS03 TS04



*Swivel radius for total lock and direction lock models increases to: 3"=4-1/4, 4"=4-35/64, 5" & 6"=4-55/64.



Total Lock
Change "SW" to "TL". Red sticker on pedal.

Direction Lock
Change "SW" to "DL". Green sticker on pedal.

Chrome Hospital

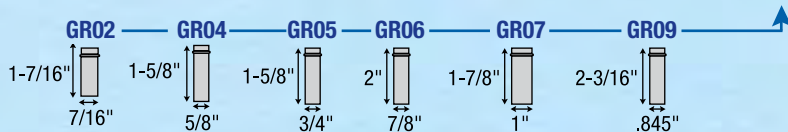


Total Lock
Change "SW"
to "TL". Red
sticker on pedal.

Direction Lock
Change "SW"
to "DL". Green
sticker on pedal.

Grip Ring Stem Models

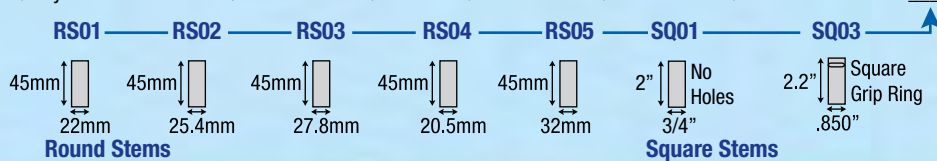
Wheel Diameter	Tread Width	Tread Material	Bearing Type	Dynamic Load	Mounting Height	Swivel Radius*	Swivel Part Number
3"	1-1/4"	Thermoplastic Rubber	Precision Ball	190 lbs	4-5/16"	2-29/32"	CH-03TPP-125-SW-____
	1-1/4"	Polyurethane TPU	Precision Ball	190 lbs	4-5/16"	2-29/32"	CH-03PYP-125-SW-____
4"	1-1/4"	Thermoplastic Rubber	Precision Ball	240 lbs	5-5/16"	3-37/64"	CH-04TPP-125-SW-____
	1-1/4"	Polyurethane TPU	Precision Ball	240 lbs	5-5/16"	3-37/64"	CH-04PYP-125-SW-____
5"	1-1/4"	Thermoplastic Rubber	Precision Ball	260 lbs	6-5/16"	4-7/32"	CH-05TPP-125-SW-____
	1-1/4"	Polyurethane TPU	Precision Ball	260 lbs	6-5/16"	4-7/32"	CH-05PYP-125-SW-____
6"	1-1/4"	Thermoplastic Rubber	Precision Ball	260 lbs	7-9/32"	4-39/64"	CH-06TPP-125-SW-____
	1-1/4"	Polyurethane TPU	Precision Ball	260 lbs	7-9/32"	4-39/64"	CH-06PYP-125-SW-____



*Swivel radius for total lock and direction lock models increases to: 3"=4-1/4, 4"=4-35/64, 5" & 6"=4-55/64.

Round or Square Stem Models

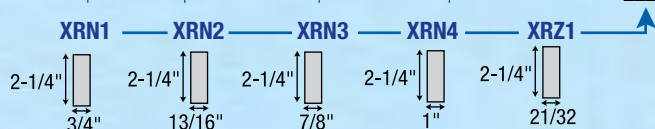
Wheel Diameter	Tread Width	Tread Material	Bearing Type	Dynamic Load	Mounting Height	Swivel Radius*	Swivel Part Number
3"	1-1/4"	Thermoplastic Rubber	Precision Ball	190 lbs	4-5/16"	2-29/32"	CH-03TPP-125-SW-____
	1-1/4"	Polyurethane TPU	Precision Ball	190 lbs	4-5/16"	2-29/32"	CH-03PYP-125-SW-____
4"	1-1/4"	Thermoplastic Rubber	Precision Ball	240 lbs	5-5/16"	3-37/64"	CH-04TPP-125-SW-____
	1-1/4"	Polyurethane TPU	Precision Ball	240 lbs	5-5/16"	3-37/64"	CH-04PYP-125-SW-____
5"	1-1/4"	Thermoplastic Rubber	Precision Ball	260 lbs	6-5/16"	4-7/32"	CH-05TPP-125-SW-____
	1-1/4"	Polyurethane TPU	Precision Ball	260 lbs	6-5/16"	4-7/32"	CH-05PYP-125-SW-____
6"	1-1/4"	Thermoplastic Rubber	Precision Ball	260 lbs	7-9/32"	4-39/64"	CH-06TPP-125-SW-____
	1-1/4"	Polyurethane TPU	Precision Ball	260 lbs	7-9/32"	4-39/64"	CH-06PYP-125-SW-____



*Swivel radius for total lock and direction lock models increases to: 3"=4-1/4, 4"=4-35/64, 5" & 6"=4-55/64.

Expanding Adapter Stem Models

Wheel Diameter	Tread Width	Tread Material	Bearing Type	Dynamic Load	Mounting Height	Swivel Radius*	Swivel Part Number
3"	1-1/4"	Thermoplastic Rubber	Precision Ball	190 lbs	4-5/16"	2-29/32"	CH-03TPP-125-SW-____
	1-1/4"	Polyurethane TPU	Precision Ball	190 lbs	4-5/16"	2-29/32"	CH-03PYP-125-SW-____
4"	1-1/4"	Thermoplastic Rubber	Precision Ball	240 lbs	5-5/16"	3-37/64"	CH-04TPP-125-SW-____
	1-1/4"	Polyurethane TPU	Precision Ball	240 lbs	5-5/16"	3-37/64"	CH-04PYP-125-SW-____
5"	1-1/4"	Thermoplastic Rubber	Precision Ball	260 lbs	6-5/16"	4-7/32"	CH-05TPP-125-SW-____
	1-1/4"	Polyurethane TPU	Precision Ball	260 lbs	6-5/16"	4-7/32"	CH-05PYP-125-SW-____
6"	1-1/4"	Thermoplastic Rubber	Precision Ball	260 lbs	7-9/32"	4-39/64"	CH-06TPP-125-SW-____
	1-1/4"	Polyurethane TPU	Precision Ball	260 lbs	7-9/32"	4-39/64"	CH-06PYP-125-SW-____



*Swivel radius for total lock and direction lock models increases to: 3"=4-1/4, 4"=4-35/64, 5" & 6"=4-55/64.



Total Lock
Change "SW"
to "TL". Red
sticker on pedal.

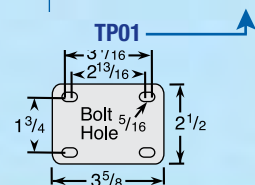
Direction Lock
Change "SW"
to "DL". Green
sticker on pedal.

Chrome Hospital Swivel Top Plate



Swivel Top Plate Models

Wheel Diameter	Tread Width	Tread Material	Bearing Type	Dynamic Load	Mounting Height	Swivel Radius	Swivel Part Number
3"	1-1/4" 1-1/4"	Thermoplastic Rubber	Precision Ball	190 lbs	4-7/16"	2-29/32"	CH-03TPP-125-SW-TP01
		Polyurethane TPU	Precision Ball	190 lbs	4-7/16"	2-29/32"	CH-03PYP-125-SW-TP0
4"	1-1/4" 1-1/4"	Thermoplastic Rubber	Precision Ball	240 lbs	5-7/16"	3-37/64"	CH-04TPP-125-SW-TP01
		Polyurethane TPU	Precision Ball	240 lbs	5-7/16"	3-37/64"	CH-04PYP-125-SW-TP01
5"	1-1/4" 1-1/4"	Thermoplastic Rubber	Precision Ball	220	6-7/16"	4-7/32"	CH-05TPP-125-SW-TP01
		Polyurethane TPU	Precision Ball	220	6-7/16"	4-7/32"	CH-05PYP-125-SW-TP01
6"	1-1/4" 1-1/4"	Thermoplastic Rubber	Precision Ball	240	7-13/32"	4-39/64"	CH-06TPP-125-SW-TP01
		Polyurethane TPU	Precision Ball	240	7-13/32"	4-39/64"	CH-06PYP-125-SW-TP01



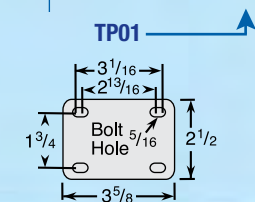
Total Lock
Change "SW"
to "TL". Red
sticker on pedal.

Direction Lock
Change "SW"
to "DL". Green
sticker on pedal.

*Swivel radius for total lock and direction lock models increases to: 3"=4-1/4,
4"=4-35/64, 5" & 6"=4-55/64.

Rigid Top Plate Models

Wheel Diameter	Tread Width	Tread Material	Bearing Type	Dynamic Load	Mounting Height	Swivel Radius	Swivel Part Number
3"	1-1/4" 1-1/4"	Thermoplastic Rubber	Precision Ball	190 lbs	4-7/16"	N/A	CH-03TPP-125-RG-TP01
		Polyurethane TPU	Precision Ball	190 lbs	4-7/16"	N/A	CH-03PYP-125-RG-TP0
4"	1-1/4" 1-1/4"	Thermoplastic Rubber	Precision Ball	240 lbs	5-7/16"	N/A	CH-04TPP-125-RG-TP01
		Polyurethane TPU	Precision Ball	240 lbs	5-7/16"	N/A	CH-04PYP-125-RG-TP01
5"	1-1/4" 1-1/4"	Thermoplastic Rubber	Precision Ball	220	6-7/16"	N/A	CH-05TPP-125-RG-TP01
		Polyurethane TPU	Precision Ball	220	6-7/16"	N/A	CH-05PYP-125-RG-TP01
6"	1-1/4" 1-1/4"	Thermoplastic Rubber	Precision Ball	240	7-13/32"	N/A	CH-06TPP-125-RG-TP01
		Polyurethane TPU	Precision Ball	240	7-13/32"	N/A	CH-06PYP-125-RG-TP01



Stainless Hospital



Features

- 304 Stainless Steel, Polished
- Dual Ball Swivel Raceways for added strength
- Total Lock Brake models lock both swivel and wheel
- Directional lock models lock swivel only (helps with Steering)
- Precision ball bearings in wheels for easier rollability
- Wheels have full plastic thread guards for added protection

Applications

- Food Service
- Case Carts
- Medical Equipment
- Institutional Equipment
- Laboratory Equipment
- Animal Cages
- Pharmaceutical Equipment


Hollow Kingpin Models

Wheel Diameter	Tread Width	Tread Material	Bearing Type	Dynamic Load	Mounting Height	Swivel Radius*	Swivel Part Number
3"	1-1/4"	Thermoplastic Rubber	Precision Ball	165 lbs	4-5/16"	3-37/64"	SS-03TPP-125-SW-HK01
	1-1/4"	Anti-Microbial TPR	Precision Ball	165 lbs	4-5/16"	3-37/64"	SS-03AMP-125-SW-HK01
	1-1/4"	Polyurethane TPU	Precision Ball	165 lbs	4-5/16"	3-37/64"	SS-03PYP-125-SW-HK01
4"	1-1/4"	Thermoplastic Rubber	Precision Ball	190 lbs	5-5/16"	3-37/64"	SS-04TPP-125-SW-HK01
	1-1/4"	Anti-Microbial TPR	Precision Ball	190 lbs	5-5/16"	3-37/64"	SS-04AMP-125-SW-HK01
	1-1/4"	Polyurethane TPU	Precision Ball	190 lbs	5-5/16"	3-37/64"	SS-04PYP-125-SW-HK01
5"	1-1/4"	Thermoplastic Rubber	Precision Ball	220 lbs	6-5/16"	4-7/32"	SS-05TPP-125-SW-HK01
	1-1/4"	Anti-Microbial TPR	Precision Ball	220 lbs	6-5/16"	4-7/32"	SS-05AMP-125-SW-HK01
	1-1/4"	Polyurethane TPU	Precision Ball	220 lbs	6-5/16"	4-7/32"	SS-05PYP-125-SW-HK01
6"	1-1/4"	Thermoplastic Rubber	Precision Ball	240 lbs	7-9/32"	4-39/64"	SS-06TPP-125-SW-HK01
	1-1/4"	Anti-Microbial TPR	Precision Ball	240 lbs	7-9/32"	4-39/64"	SS-06AMP-125-SW-HK01
	1-1/4"	Polyurethane TPU	Precision Ball	240 lbs	7-9/32"	4-39/64"	SS-06PYP-125-SW-HK01



Total Lock
Change "SW"
to "TL". **Red**
sticker on pedal.

Direction Lock
Change "SW"
to "DL". **Green**
sticker on pedal.

HK01 
Caster is provided
assembled. Change
HK01 code to HKU1
for unassembled.
1/2" I.D.

Anti-Microbial wheels have light green tread.

*Swivel radius for total lock and direction lock models increases to: 3"=4-1/4,
4"=4-35/64, 5" & 6"=4-55/64.

Stainless Hospital

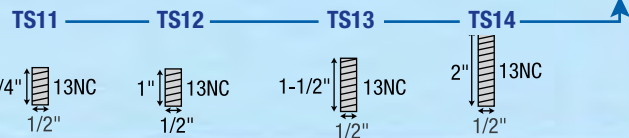


Total Lock
Change "SW"
to "TL". **Red**
sticker on pedal.

Direction Lock
Change "SW"
to "DL". **Green**
sticker on pedal.

Threaded Stem Models

Wheel Diameter	Tread Width	Tread Material	Bearing Type	Dynamic Load	Mounting Height	Swivel Radius*	Swivel Part Number
3"	1-1/4"	Thermoplastic Rubber	Precision Ball	165 lbs	5-5/16"	3-37/64"	SS-03TPP-125-SW-____
	1-1/4"	Anti-Microbial TPR	Precision Ball	165 lbs	5-5/16"	3-37/64"	SS-03AMP-125-SW-____
	1-1/4"	Polyurethane TPU	Precision Ball	165 lbs	5-5/16"	3-37/64"	SS-03PYP-125-SW-____
4"	1-1/4"	Thermoplastic Rubber	Precision Ball	190 lbs	5-5/16"	3-37/64"	SS-04TPP-125-SW-____
	1-1/4"	Anti-Microbial TPR	Precision Ball	190 lbs	5-5/16"	3-37/64"	SS-04AMP-125-SW-____
	1-1/4"	Polyurethane TPU	Precision Ball	190 lbs	5-5/16"	3-37/64"	SS-04PYP-125-SW-____
5"	1-1/4"	Thermoplastic Rubber	Precision Ball	220 lbs	6-5/16"	4-7/32"	SS-05TPP-125-SW-____
	1-1/4"	Anti-Microbial TPR	Precision Ball	220 lbs	6-5/16"	4-7/32"	SS-05AMP-125-SW-____
	1-1/4"	Polyurethane TPU	Precision Ball	220 lbs	6-5/16"	4-7/32"	SS-05PYP-125-SW-____
6"	1-1/4"	Thermoplastic Rubber	Precision Ball	240 lbs	7-9/32"	4-39/64"	SS-06TPP-125-SW-____
	1-1/4"	Anti-Microbial TPR	Precision Ball	240 lbs	7-9/32"	4-39/64"	SS-06AMP-125-SW-____
	1-1/4"	Polyurethane TPU	Precision Ball	240 lbs	7-9/32"	4-39/64"	SS-06PYP-125-SW-____



Anti-Microbial wheels have light green tread.

*Swivel radius for total lock and direction lock models increases to: 3"=4-1/4, 4"=4-35/64, 5" & 6"=4-55/64.

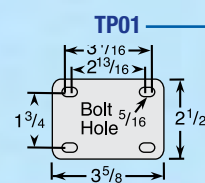


Total Lock
Change "SW"
to "TL". **Red**
sticker on pedal.

Direction Lock
Change "SW"
to "DL". **Green**
sticker on pedal.

Swivel Top Plate Models

Wheel Diameter	Tread Width	Tread Material	Bearing Type	Dynamic Load	Mounting Height	Swivel Radius	Swivel Part Number
3"	1-1/4"	Thermoplastic Rubber	Precision Ball	165 lbs	5-7/16"	3-37/64"	SS-03TPP-125-SW-TP01
	1-1/4"	Anti-Microbial TPR	Precision Ball	165 lbs	5-7/16"	3-37/64"	SS-03AMP-125-SW-TP01
	1-1/4"	Polyurethane TPU	Precision Ball	165 lbs	5-7/16"	3-37/64"	SS-03PYP-125-SW-TP01
4"	1-1/4"	Thermoplastic Rubber	Precision Ball	190 lbs	5-7/16"	3-37/64"	SS-04TPP-125-SW-TP01
	1-1/4"	Anti-Microbial TPR	Precision Ball	190 lbs	5-7/16"	3-37/64"	SS-04AMP-125-SW-TP01
	1-1/4"	Polyurethane TPU	Precision Ball	190 lbs	5-7/16"	3-37/64"	SS-04PYP-125-SW-TP01
5"	1-1/4"	Thermoplastic Rubber	Precision Ball	220 lbs	6-7/16"	4-7/32"	SS-05TPP-125-SW-TP01
	1-1/4"	Anti-Microbial TPR	Precision Ball	220 lbs	6-7/16"	4-7/32"	SS-05AMP-125-SW-TP01
	1-1/4"	Polyurethane TPU	Precision Ball	220 lbs	6-7/16"	4-7/32"	SS-05PYP-125-SW-TP01
6"	1-1/4"	Thermoplastic Rubber	Precision Ball	240 lbs	7-13/32"	4-39/64"	SS-06TPP-125-SW-TP01
	1-1/4"	Anti-Microbial TPR	Precision Ball	240 lbs	7-13/32"	4-39/64"	SS-06AMP-125-SW-TP01
	1-1/4"	Polyurethane TPU	Precision Ball	240 lbs	7-13/32"	4-39/64"	SS-06PYP-125-SW-TP01



Anti-Microbial wheels have light green tread.

*Swivel radius for total lock and direction lock models increases to: 3"=4-1/4, 4"=4-35/64, 5" & 6"=4-55/64.

Ball Metal Tread



Features

- Self-lubricating acetyl resin bearing
- No exposed axle

Applications

- Furniture
- Store Fixtures
- Medical Equipment
- Office Equipment

Options

Fasteners: Stemless, threaded stem, grip ring stem, grip neck stem, plate.

Brake: To order, insert [-B] at the end of the Part Number (2-1/2" models only).

Finishes: Bright Brass, Bright Chrome, Satin Chrome and Windsor Antique.

Tred-Gard®: Cover protects tread from scratches during manufacturing and shipping. To order add [-T] to end of Part Number.



Finish Selection



Bright Chrome



Bright Brass



Windsor Antique



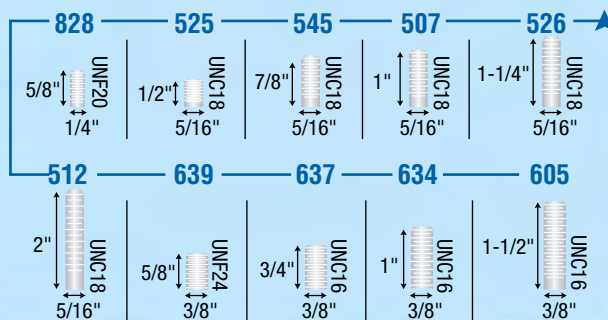
Satin Chrome



Threaded Stem Models

Wheel Diameter	Tread Material	Finish	Dynamic Load	Mounting Height	Swivel Radius	Part Number	Fastening Selection
1-1/2" Starlet	Metal	Bright Brass	40 lbs.	1-13/16"	1-1/16"	PST15_BB	525
	Metal	Bright Chrome	40 lbs.	1-13/16"	1-1/16"	PST15_BC	525
	Metal	Windsor Antique	40 lbs.	1-13/16"	1-1/16"	PST15_WA	525
2" Satellite	Metal	Bright Brass	75 lbs.	2-5/16"	1-1/2"	PSE20_BB	507, 525, 605, 637, 639, 828
	Metal	Bright Chrome	75 lbs.	2-5/16"	1-1/2"	PSE20_BC	507, 525, 605, 637, 639, 828
	Metal	Satin Chrome	75 lbs.	2-5/16"	1-1/2"	PSE20_SC	507, 525, 605, 637, 639, 828
	Metal	Windsor Antique	75 lbs.	2-5/16"	1-1/2"	PSE20_WA	507, 525, 605, 637, 639, 828
2-1/2" Planet	Metal	Bright Brass	100 lbs.	2-13/16"	1-7/8"	PPL25_BB	512, 525, 526, 545, 605, 637, 639
	Metal	Bright Chrome	100 lbs.	2-13/16"	1-7/8"	PPL25_BC	512, 525, 526, 545, 605, 637, 639
	Metal	Satin Chrome	100 lbs.	2-13/16"	1-7/8"	PPL25_SC	512, 525, 526, 545, 605, 637, 639
	Metal	Windsor Antique	100 lbs.	2-13/16"	1-7/8"	PPL25_WA	512, 525, 526, 545, 605, 637, 639

For Brake add -B to end of part number (2-1/2" diameter models only). Swivel radius 2-5/16"



To order include fastener code. Example: PST15**525**BB.

Ball Metal Tread

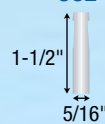


Grip Ring and Grip Neck Stem Models

Wheel Diameter	Tread Material	Finish	Dynamic Load	Mounting Height	Swivel Radius	Part Number	Fastening Selection
1-1/2" Starlet	Metal	Bright Brass	40 lbs.	1-5/8"	1-1/16"	PST15__BB	302
	Metal	Bright Chrome	40 lbs.	1-5/8"	1-1/16"	PST15__BC	302
	Metal	Windsor Antique	40 lbs.	1-5/8"	1-1/16"	PST15__WA	302
2" Satellite	Metal	Bright Brass	75 lbs.	2-3/16"	1-1/2"	PSE20__BB	211, 222, 223, 302
	Metal	Bright Chrome	75 lbs.	2-3/16"	1-1/2"	PSE20__BC	211, 222, 223, 302
	Metal	Satin Chrome	75 lbs.	2-3/16"	1-1/2"	PSE20__SC	211, 222, 223, 302
	Metal	Windsor Antique	75 lbs.	2-3/16"	1-1/2"	PSE20__WA	211, 222, 223, 302
2-1/2" Planet	Metal	Bright Brass	100 lbs.	2-11/16"	1-7/8"	PPL25__BB	211, 222, 223, 302
	Metal	Bright Chrome	100 lbs.	2-11/16"	1-7/8"	PPL25__BC	211, 222, 223, 302
	Metal	Satin Chrome	100 lbs.	2-11/16"	1-7/8"	PPL25__SC	211, 222, 223, 302
	Metal	Windsor Antique	100 lbs.	2-11/16"	1-7/8"	PPL25__WA	211, 222, 223, 302

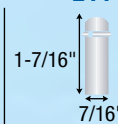
Grip Neck Stem

302

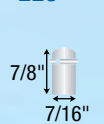


Grip Ring Stems

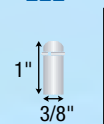
211



223



222



For Brake add -B to end of part number (2-1/2" diameter models only). Swivel radius 2-5/16" .

To order include fastener code.
Example:
PSE20**222**BC.



Top Plate Models

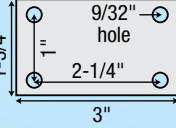
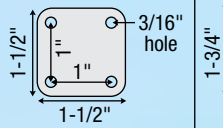
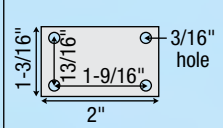
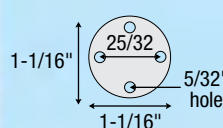
Wheel Diameter	Tread Material	Finish	Dynamic Load	Mounting Height	Swivel Radius	Part Number	Fastening Selection
1-1/2" Starlet	Metal	Bright Brass	40 lbs.	1-13/16"	1-1/16"	PST15__BB	1R
	Metal	Bright Chrome	40 lbs.	1-13/16"	1-1/16"	PST15__BC	1R
	Metal	Windsor Antique	40 lbs.	1-13/16"	1-1/16"	PST15__WA	1R
2" Satellite	Metal	Bright Brass	75 lbs.	2-1/2"	1-1/2"	PSE20__BB	101, 113
	Metal	Bright Chrome	75 lbs.	2-1/2"	1-1/2"	PSE20__BC	101, 113
	Metal	Satin Chrome	75 lbs.	2-1/2"	1-1/2"	PSE20__SC	101, 113
	Metal	Windsor Antique	75 lbs.	2-1/2"	1-1/2"	PSE20__WA	101, 113
2-1/2" Planet	Metal	Bright Brass	100 lbs.	3"	1-7/8"	PPL25__BB	101, 113, 140
	Metal	Bright Chrome	100 lbs.	3"	1-7/8"	PPL25__BC	101, 113, 140
	Metal	Satin Chrome	100 lbs.	3"	1-7/8"	PPL25__SC	101, 113, 140
	Metal	Windsor Antique	100 lbs.	3"	1-7/8"	PPL25__WA	101, 113, 140

1R

113

101

140



To order include fastener code.
Example:
PST15**1R**BB.

For Brake add -B to end of part number (2-1/2" diameter models only). Swivel radius 2-5/16" .

Ball Soft Tread



Features

- Self-lubricating acetyl resin bearing
- No exposed axle

Applications

- Furniture
- Store Fixtures
- Medical Equipment
- Office Equipment

Options

Fasteners: Stemless, threaded stem, grip ring stem, grip neck stem, plate.

Brake: To order, insert [-B] at the end of the Part No. 3" diameter models only.

Finishes: Bright Brass, Bright Chrome, Satin Chrome, Windsor Antique and Unfinished.

Locking Pin: Available on 3" non-brake unfinished models. To order change "SN30" to "SL30" in Part Number.

Finish Selection



Bright Chrome

Bright Brass

Windsor Antique

Satin Chrome

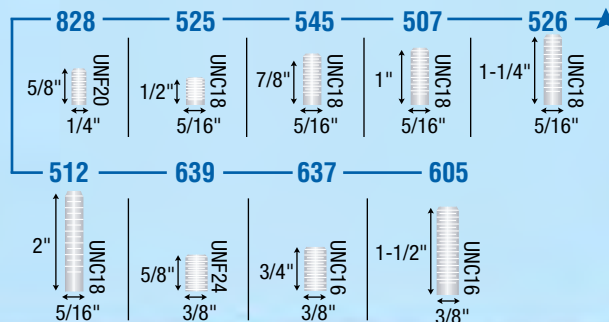
Note: Unfinished models available



Threaded Stem Models

Wheel Diameter	Tread Material	Finish	Dynamic Load	Mounting Height	Swivel Radius	Part Number	Fastening Selection
1-9/16" Cosmo	Urethane	Bright Brass	40 lbs.	1-13/16"	1-1/16"	PCM40—BB	525
2-1/4" Nova	Rubber	Bright Brass	75 lbs.	2-7/16"	1-9/16"	PNA22—BB	507, 525, 605, 637, 639, 828
	Rubber	Bright Chrome	75 lbs.	2-7/16"	1-9/16"	PNA22—BC	507, 525, 605, 637, 639, 828
	Rubber	Satin Chrome	75 lbs.	2-7/16"	1-9/16"	PNA22—SC	507, 525, 605, 637, 639, 828
	Rubber	Windsor Antique	75 lbs.	2-7/16"	1-9/16"	PNA22—WA	507, 525, 605, 637, 639, 828
	Rubber	Unfinished	75 lbs.	2-7/16"	1-9/16"	PNA22—UF	507, 525, 605, 637, 639, 828
3" Saturn	Rubber	Bright Brass	100 lbs.	3"	2-1/16"	PSN30—BB	525, 526, 545, 605, 637, 639
	Rubber	Bright Chrome	100 lbs.	3"	2-1/16"	PSN30—BC	525, 526, 545, 605, 637, 639
	Rubber	Satin Chrome	100 lbs.	3"	2-1/16"	PSN30—SC	525, 526, 545, 605, 637, 639
	Rubber	Windsor Antique	100 lbs.	3"	2-1/16"	PSN30—WA	525, 526, 545, 605, 637, 639
	Rubber	Unfinished	100 lbs.	3"	2-1/16"	PSN30—UF	525, 526, 545, 605, 637, 639

For Brake add -B to end of part number (3" diameter models only). Swivel radius 2-5/16".



To order include fastener code. Example: PCM40**525**BB.





Grip Ring Stem Models

Wheel Diameter	Tread Material	Finish	Dynamic Load	Mounting Height	Swivel Radius	Part Number	Fastening Selection
1-9/16" Cosmo	Urethane	Bright Brass	40 lbs.	1-11/16"	1-1/16"	PCM40—BB	302
2-1/4" Nova	Rubber	Bright Brass	75 lbs.	2-5/16"	1-9/16"	PNA22—BB	211, 222, 223, 302
	Rubber	Bright Chrome	75 lbs.	2-5/16"	1-9/16"	PNA22—BC	211, 222, 223, 302
	Rubber	Satin Chrome	75 lbs.	2-5/16"	1-9/16"	PNA22—SC	211, 222, 223, 302
	Rubber	Windsor Antique	75 lbs.	2-5/16"	1-9/16"	PNA22—WA	211, 222, 223, 302
	Rubber	Unfinished	75 lbs.	2-5/16"	1-9/16"	PNA22—UF	211, 222, 223, 302
3" Saturn	Rubber	Bright Brass	100 lbs.	2-7/8"	2-1/16"	PSN30—BB	211, 222, 223, 302
	Rubber	Bright Chrome	100 lbs.	2-7/8"	2-1/16"	PSN30—BC	211, 222, 223, 302
	Rubber	Satin Chrome	100 lbs.	2-7/8"	2-1/16"	PSN30—SC	211, 222, 223, 302
	Rubber	Windsor Antique	100 lbs.	2-7/8"	2-1/16"	PSN30—WA	211, 222, 223, 302
	Rubber	Unfinished	100 lbs.	2-7/8"	2-1/16"	PSN30—UF	211, 222, 223, 302

For Brake add -B to end of part number. Swivel radius 3" (2-5/16" diameter models only).

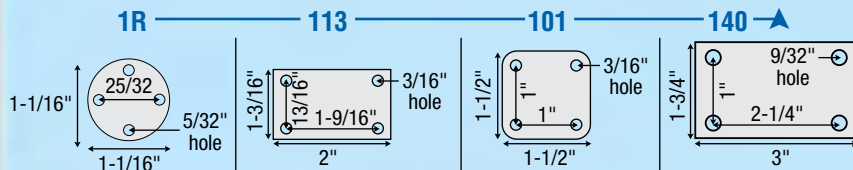


To order include fastener code. Example: PNA22**211**BB.



Swivel Top Plate Models

Wheel Diameter	Tread Material	Finish	Dynamic Load	Mounting Height	Swivel Radius	Part Number	Fastening Selection
1-9/16" Cosmo	Urethane	Bright Brass	40 lbs.	1-13/16"	1-1/16"	PCM40—BB	1R
2-1/4" Nova	Rubber	Bright Brass	75 lbs.	2-5/8"	1-9/16"	PNA22—BB	101, 113
	Rubber	Bright Chrome	75 lbs.	2-5/8"	1-9/16"	PNA22—BC	101, 113
	Rubber	Satin Chrome	75 lbs.	2-5/8"	1-9/16"	PNA22—SC	101, 113
	Rubber	Windsor Antique	75 lbs.	2-5/8"	1-9/16"	PNA22—WA	101, 113
	Rubber	Unfinished	75 lbs.	2-5/8"	1-9/16"	PNA22—UF	101, 113
3" Saturn	Rubber	Bright Brass	100 lbs.	3-3/16"	2-1/16"	PSN30—BB	101, 113, 140
	Rubber	Bright Chrome	100 lbs.	3-3/16"	2-1/16"	PSN30—BC	101, 113, 140
	Rubber	Satin Chrome	100 lbs.	3-3/16"	2-1/16"	PSN30—SC	101, 113, 140
	Rubber	Windsor Antique	100 lbs.	3-3/16"	2-1/16"	PSN30—WA	101, 113, 140
	Rubber	Unfinished	100 lbs.	3-3/16"	2-1/16"	PSN30—UF	101, 113, 140



For Brake add -B to end of part number (3" diameter models only). Swivel radius 2-5/16".

To order include fastener code. Example: PNA22**101**BB.

Ladder Caster

3" model



2" model



Features

- Long stem made especially for rolling ladders
- Zinc finish
- Dual ball bearing raceways
- Soft rubber wheels (75 Shore A)

Applications

- Rolling Ladders

Threaded Stem Models

Wheel Dia.	Tread Width	Tread Type	Bearing Type	Dynamic Load	Mounting Height	Swivel Radius	Part Number
2"	13/16"	Soft Rubber	Plain Bore	80 lbs	2-1/2"	1-13/16"	PLD20820ZN-3R
3"	13/16"	Soft Rubber	Plain Bore	110 lbs	3-11/16"	2-3/8"	PLD30820ZN-3R

Fastening Specifications

Overall Stem Length: 4-13/16"
 Thread Diameter: 5/16"
 Thread Length: 5/8"

Glass Handling Caster



Specially designed raceway system protects against debris

Features

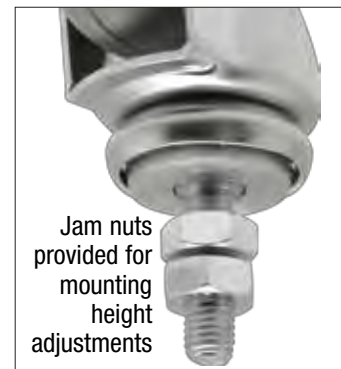
- Specially designed raceway system protects against debris
- Soft non-marking neoprene rubber wheels
- Ball bearing wheels for added rollability
- Zinc plated for corrosion resistance

Applications

- Glass Industry
- Plant Operation
- Conveyor Systems
- Material Handling

Options

Fastening Selections:
 Additional options available upon request (minimums may apply).



1-1/2" UNF16
 3/8"

Wheel Dia.	Tread Width	Tread Type	Finish	Bearing Type	Dynamic Load	Mounting Height	Swivel Radius	Part Number	Fastening Selection
2"	15/16"	Neoprene	Zinc	Ball	75 lbs	2-3/4"	2-9/16"	PGN20605ZN-NPR21(GG)	605

PDT Caster



Features

- Total Lock lever integrated into body
- Sleek, all plastic body
- Matching thread guards

Applications

- Medical Equipment
- Electronic Equipment
- Seating

Wheel Dia.	Tread Width	Tread Type	Finish	Bearing Type	Dynamic Load	Mounting Height	Swivel Radius	Part Number
3"	1"	Urethane	Black	Plain	75 lbs	4-3/4"	2-11/16"	PDT30805BK-TPU01 (KK)
	1"	Urethane	Silver	Plain	75 lbs	4-3/4"	2-11/16"	PDT30805SV-TPU01 (KK)

805
22mm
1.5 Pitch
M10

Self-Braking Chair Caster



Features

- Choice of models that automatically brake with or without weight
- Constructed of injection-molded engineering grade nylon
- Urethane tread

Applications

- Seating
- Medical Equipment

Options

Braking: Model PSC50223BK-U brakes when weight is applied. Model PSD50223BK-U brakes without weight, rolls when weight is applied.

Wheel Diameter	Tread Material	Dynamic Load	Mounting Height Range	Swivel Radius	Part Number	Fastening Selection
Compression Brake (Brakes when weight is applied)						
50mm	Urethane	75lbs.	2-7/16" - 2-1/2"	2-1/16"	PSC50223BK-U	223
Decompression Brake (Brakes without weight, rolls when weight is applied)						
50mm	Urethane	75lbs.	2-3/8" - 2-7/16"	2-1/16"	PSD50223BK-U	223

223
7/8"
7/16"

Component Caster Parts

Institutional Rigs

Swivel Plate



For Wheel Dia.	Fastening	Mounting Height with Wheel	Axle Diameter	Part Number
3"	120	4-1/4"	3/8"	009125
3-1/2"	120	4-3/4"	3/8"	009091
4"	120	5-1/4"	3/8"	009126
5"	120	6-1/4"	3/8"	009127
6"	120	7-1/4"	3/8"	70237

Total Lock Plate



For Wheel Dia.	Fastening	Mounting Height with Wheel	Axle Diameter	Part Number
3"	120	4-1/4"	3/8"	009131
3-1/2"	120	4-3/4"	3/8"	009092
4"	120	5-1/4"	3/8"	009132
5"	120	6-1/4"	3/8"	009133
6"	120	7-1/4"	3/8"	70287

Rigid Plate



For Wheel Dia.	Fastening	Mounting Height with Wheel	Axle Diameter	Part Number
3"	120	4-1/4"	3/8"	009119
3-1/2"	120	4-3/4"	3/8"	009093
4"	120	5-1/4"	3/8"	009120
5"	120	6-1/4"	3/8"	009121
6"	120	7-1/4"	3/8"	70240

Threaded Stem



For Wheel Dia.	Fastening	Mounting Height with Wheel	Axle Diameter	Part Number
3"	741	4-1/8"	3/8"	009090
3-1/2"	748	4-1/8"	3/8"	009066
4"	741	4-5/8"	3/8"	70264
4"	748	4-5/8"	3/8"	70263
5"	741	5-1/8"	3/8"	009062
5"	748	5-1/8"	3/8"	009068
6"	741	6-1/8"	3/8"	009064
6"	748	6-1/8"	3/8"	009070
6"	741	7-1/8"	3/8"	70236
6"	748	7-1/8"	3/8"	70242

Grip Ring Stem



For Wheel Dia.	Fastening	Mounting Height with Wheel	Axle Diameter	Part Number
3"	291	4-1/8"	3/8"	70266
3-1/2"	291	4-5/8"	3/8"	70267
4"	291	5-1/8"	3/8"	70268
5"	291	6-1/8"	3/8"	70269
6"	273*	7-1/8"	3/8"	70239

*Grip band ring.

Hollow Kingpin



For Wheel Dia.	Fastening	Mounting Height with Wheel	Axle Diameter	Part Number
3"	400	4-1/8"	3/8"	009122
3-1/2"	400	4-5/8"	3/8"	70265
4"	400	5-1/8"	3/8"	009123
5"	400	6-1/8"	3/8"	009124
6"	400	7-1/8"	3/8"	009042

HDI Rigs (Continues Next Column)

Swivel Plate



For Wheel Dia.	Fastening	Mounting Height with Wheel	Axle Diameter	Part Number
4"	149	6-5/16"	3/8"	009640
5"	162	6-5/16"	3/8"	009641
5"	149	6-5/16"	3/8"	009642
5"	162	6-5/16"	3/8"	009643

Rigid Plate



For Wheel Dia.	Fastening	Mounting Height with Wheel	Axle Diameter	Part Number
4"	149	6-5/16"	3/8"	009644
5"	162	6-5/16"	3/8"	009645
5"	149	6-5/16"	3/8"	009646
5"	162	6-5/16"	3/8"	009647

HDI Rigs (Continued)

Threaded Stem



For Wheel Dia.	Fastening	Mounting Height with Wheel	Axle Diameter	Part Number
4"	741	5-3/16"	3/8"	009656
4"	748	5-3/16"	3/8"	009657
4"	824	5-3/16"	3/8"	009658
5"	825	5-3/16"	3/8"	009659
5"	741	6-3/16"	3/8"	009660
5"	748	6-3/16"	3/8"	009661
5"	824	6-3/16"	3/8"	009662
5"	825	6-3/16"	3/8"	009663

Prism Rigs

Swivel Plate



For Wheel Dia.	Fastening	Mounting Height with Wheel	Axle Diameter	Part Number
4"	156	5-5/8"	1/2"	618742
5"	156	6-1/2"	1/2"	618743
6"	156	7-1/2"	1/2"	618744
8"	156	9-1/2"	1/2"	618745

Rigid Plate



For Wheel Dia.	Fastening	Mounting Height with Wheel	Axle Diameter	Part Number
4"	156	5-5/8"	1/2"	618746
5"	156	6-1/2"	1/2"	618747
6"	156	7-1/2"	1/2"	618748
8"	156	9-1/2"	1/2"	618749

Stainless Steel Prism Rigs

Swivel Plate



For Wheel Dia.	Fastening	Mounting Height with Wheel	Axle Diameter	Part Number
4"	156	5-5/8"	1/2"	618861
5"	156	6-1/2"	1/2"	618862
6"	156	7-1/2"	1/2"	618863
8"	156	9-1/2"	1/2"	618864

Rigid Plate



For Wheel Dia.	Fastening	Mounting Height with Wheel	Axle Diameter	Part Number
4"	156	5-5/8"	1/2"	618865
5"	156	6-1/2"	1/2"	618866
6"	156	7-1/2"	1/2"	618867
8"	156	9-1/2"	1/2"	618868

Total Lock Plate



For Wheel Dia.	Fastening	Mounting Height with Wheel	Axle Diameter	Part Number
4"	156	5-5/8"	1/2"	618869
5"	156	6-1/2"	1/2"	618870
6"	156	7-1/2"	1/2"	618871
8"	156	9-1/2"	1/2"	618872

Component Caster Parts

Diamond Rigs

Swivel Plate



For Wheel Dia.	Fastening	Mounting Height with Wheel	Axle Diameter	Part Number
4	156	5-5/8"	1/2"	618838
5	156	6-1/2"	1/2"	618840
6	156	7-1/2"	1/2"	618844
8	156	9-1/2"	1/2"	618846

See Prism Rigid Chart for matching Rigid models.

AS/AR Rigs

Top Plate



For Wheel Dia.	Fastening	Mounting Height with Wheel	Axle Diameter	Part Number
4"	156	5-1/2"	1/2"	504594
5"	156	6-1/2"	1/2"	504619
6"	156	7-1/2"	1/2"	504635
8"	156	9-1/2"	1/2"	504664

Rigid Plate



For Wheel Dia.	Fastening	Mounting Height with Wheel	Axle Diameter	Part Number
4"	156	5-1/2"	1/2"	504504
5"	156	6-1/2"	1/2"	504615
6"	156	7-1/2"	1/2"	504633
8"	156	9-1/2"	1/2"	504491

Total Lock Plate



For Wheel Dia.	Fastening	Mounting Height with Wheel	Axle Diameter	Part Number
4"	156	5-1/2"	1/2"	504694
5"	156	6-1/2"	1/2"	504699
6"	156	7-1/2"	1/2"	504704
8"	156	9-1/2"	1/2"	504709

Swivel Lock Plate



For Wheel Dia.	Fastening	Mounting Height with Wheel	Axle Diameter	Part Number
4"	156	5-1/2"	1/2"	506154
5"	156	6-1/2"	1/2"	504734
6"	156	7-1/2"	1/2"	504740
8"	156	9-1/2"	1/2"	504747

Axles and Nuts



Prism axle/nut shown

Axle Dia.	Length	Series	Axle Part Number	Nut Part Number
3/8"	2.10	Inst. Standard	009143	615682-49
3/8"	2.08	Institutional-Brake	009144	615682-49
3/8"	3.00	HD Series	007337	007338
3/8"	2.86	HD Series Non Brake	007336	007338
1/2"	3.38	Prism/Diamond Stand	618751	618753
1/2"	3.63	Prism/Diamond Brake	618752	618753
1/2"	3.42	Prism Stainless Stand	618873	618875
1/2"	3.63	Prism Stainless Brake	618874	618875
1/2"	3.37	AS, Standard	613030	615695
1/2"	3.69	AS, Brake	613033	615695

Spanners



Prism spanner shown

ID	OD	Length	Series	Part Number
0.39	0.5	1.59	Institutional	612240
0.54	0.75	2.45	Prism	618750
0.54	0.75	2.45	Prism Stainless	618881
0.54	0.75	2.45	AS	612242
0.375	0.75	2.125	HDI	007340

Roller Bearings



ID	OD	Length	Description	Part Number
0.76	1.19	1.875	Standard	618816
0.76	1.19	1.875	Stainless Steel	618882

Tread Brake Components



Institutional shown

Fits Wheel Dia.	Series	Description	Part Number
All	Institutional	Brake Lever	009134
3"	Institutional	Brake Arm	009135
3-1/2"	Institutional	Brake Arm	009152
4"	Institutional	Brake Arm	009136
5"	Institutional	Brake Arm	009137
6"	Institutional	Brake Arm	009145
All	HDI	Brake Lever	007325
4"	HDI	Brake Arm	007652
5"	HDI	Brake Arm	007325
All	Prism/Diamond	Brake Lever	618782
4"	Prism/Diamond	Brake Arm	618783
5"	Prism/Diamond	Brake Arm	618784
6"	Prism/Diamond	Brake Arm	618785
8"	Prism/Diamond	Brake Arm	618786
All	Stainless Prism	Brake Lever	618876
4"	Stainless Prism	Brake Arm	618877
5"	Stainless Prism	Brake Arm	618878
6"	Stainless Prism	Brake Arm	618879
8"	Stainless Prism	Brake Arm	618880
All	AS Series*	Side Brake Lever	617475
All	AS Series*	Side Brake Cam	617420

*AS Series is a side brake only

Institutional Top Lock Brake Kits



Fits Wheel Dia.	Series	Part Number
3"	Institutional	001549
3-1/2"	Institutional	009155
4"	Institutional	001508
5"	Institutional	001566

Wheels

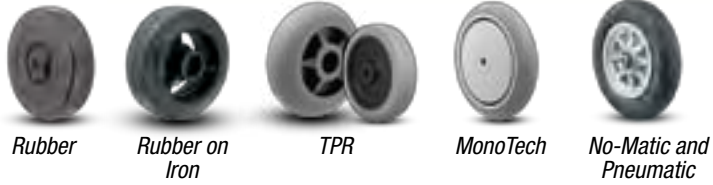
Polyolefin • Page 93



- 1-1/4" to 10" wheel diameter
- Load rating up to 900 lbs
- Available on Regent, Monarch, Institutional, Bassick and Baron

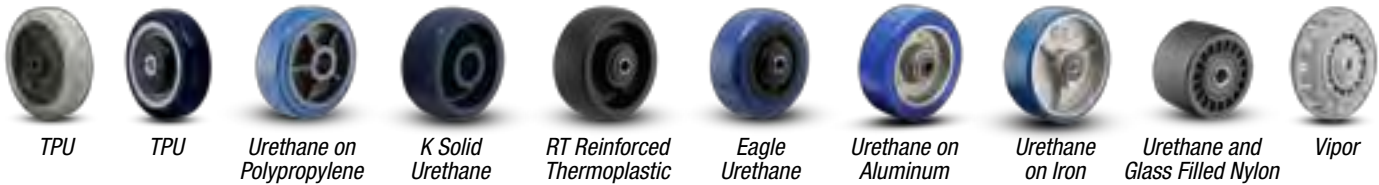
Rubber and TPR • Page 94-96

- 1-5/8" to 8" wheel diameter • Load rating up to 750 lbs
- Available on Regent, Monarch, Institutional, HDI, Bassick, Prism and Diamond



Urethane and TPU • Page 97-99

- 2" to 10" wheel diameter • Load rating up to 1,400 lbs
- Available on Regent, Monarch, Institutional, HDI Bassick, Prism and Diamond

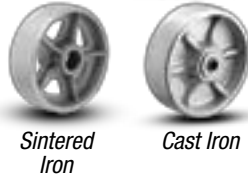


Phenolic • Page 100




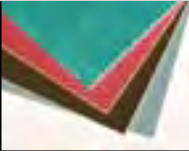



- 3" to 8" wheel diameter
- Load rating up to 1,500 lbs
- Available on Institutional, HDI, Bassick

Metal • Page 100



- 3" to 8" wheel diameter
- Load rating up to 1,200 lbs
- Available on Bassick, Prism and Diamond

Wheel Application Selection Guide

					
Wheel Type	Carpet	Linoleum	Wood	Concrete	Tile
Monotech		X	X	X	X
TPR		X	X		X
Urethane		X	X	X	X
Soft Rubber		X	X		X
Hard Rubber	X			X	X
Polyolefin	X			X	X
Vipor	X			X	X
Pneumatic		X	X	X	X
No-Matic		X	X	X	X
Phenolic	X			X	
Glass Filled Nylon	X			X	
Steel/Iron				X	

- Notes: 1. Not all floor surfaces are the same, consult flooring manufacturer prior to use.
2. Some industrial rubber wheels may be marking, test prior to use

Wheels

Polyolefin



Regent/Monarch
Institutional

Polyolefin wheels are the most economical wheel option. Their high-impact, lightweight construction is resistant to most chemicals and oils.

Wheel Diameter	Tread Width	Bearing	Hub Length	Axle Size	Color Tread/Core	Dynamic Load	Durometer/Shore Scale	Part Number
1-1/4"	17/32"	Plain	.63"	3/16"	Black	75 lbs	70D	007114
1-5/8"	11/16"	Plain	.77"	7/32"	Black	80 lbs	70D	006971
2"	3/4"	Plain	.90"	1/4"	Black	100 lbs	70D	006972
2-1/2"	13/16"	Plain	.92"	1/4"	Black	120 lbs	70D	007213
3"	13/16"	Plain	.99"	1/4"	Black	125 lbs	70D	007386
	1-1/4"	Plain	1.56"	3/8"	Black	270 lbs	70D	005100
4"	15/16"	Plain	1.15"	5/16"	Black	150 lbs	70D	004101
	1-1/4"	Plain	1.56"	3/8"	Black	275 lbs	70D	005102
	2"	No Bearing	2.375"	1/2"*	Black	600 lbs	70D	618774
5"	15/16"	Plain	1.15"	5/16"	Black	150 lbs	70D	007310
	1-1/4"	Plain	1.56"	3/8"	Black	300 lbs	70D	005103
	2"	No Bearing	2.375"	1/2"*	Black	650 lbs	70D	618775
6"	2"	No Bearing	2.375"	1/2"*	Black	700 lbs	70D	618776
8"	2"	No Bearing	2.375"	1/2"*	Black	900 lbs	70D	618777

*Requires bearing and spanner

Solid Polyolefin



Regent/
Monarch

Bassick
00

Polyolefin wheels are the most economical wheel option. Their high-impact, lightweight construction is resistant to most chemicals and oils.

Wheel Diameter	Tread Width	Bearing	Hub Length	Axle Size	Color Tread/Core	Dynamic Load	Durometer/Shore Scale	Part Number
2"	3/4"	Plain	.90"	1/4"	Black	100 lbs	70D	007956
	3/4"	Plain	.921"	5/16"	Black	100 lbs	70D	618712
	1-13/16"	Plain	1.85"	5/16"	Black	300 lbs	70D	618714

Spherical



Baron

Solid, spherical construction designed for efficient mobility.

Wheel Diameter	Tread Type	Hub Length	Axle Size	Color Tread/Core	Dynamic Load	Durometer/Shore Scale	Part Number
1-5/8"	Soft Rubber	1.52"	7/32"	Black	75 lbs	75A	006522
2"	Polyolefin	1.98"	1/4"	Black	100 lbs	70D	006520

Wheels

Soft Rubber

Soft Rubber wheels offer quiet mobility on hard surfaces and are non-marking. The soft tread combines a cushioned ride with maximum floor protection.



Wheel Diameter	Tread Width	Bearing	Hub Length	Axle Size	Color Tread/Core	Dynamic Load	Durometer/Shore Scale	Part Number
1-5/8"	23/32"	Plain	.77"	7/32"	Black	70 lbs	75A	006371
2"	13/16"	Plain	.92"	1/4"	Black	80 lbs	75A	006102
	13/16"	Plain	.92"	5/16"	Grey	80 lbs	75A	618711
2-1/2"	13/16"	Plain	.92"	1/4"	Black	90 lbs	75A	006742
3"	13/16"	Plain	.99"	1/4"	Black	110 lbs	75A	007385
	1-1/4"	Plain	1.56"	3/8"	Black	150 lbs	75A	615493
	1-5/16"	Roller	1.56"	3/8"*	Black	160 lbs	75A	615649
3-1/2"	1-1/4"	Plain	1.56"	3/8"	Black	150 lbs	75A	615121
4"	15/16"	Plain	1.15"	5/16"	Black	125 lbs	75A	007272
	1-1/4"	Plain	1.56"	3/8"	Black	165 lbs	75A	615514
	1-5/8"	Roller	1.87"	3/8"	Black	200 lbs	75A	617897
5"	15/16"	Plain	1.15"	5/16"	Black	130 lbs	75A	007312
	1-1/4"	Plain	1.56"	3/8"	Black	200 lbs	75A	615519
	2"	No Bearing	2.375"	1/2"*	Black	600 lbs	75A	617979
6"	2"	No Bearing	2.375"	1/2"*	Black	650 lbs	75A	618063
8"	2"	No Bearing	2.375"	1/2"*	Black	750 lbs	75A	618144*

*Requires bearing and spanner

Hard Rubber

Hard rubber wheels offer high load capacity and impact resistance. The hard tread provides good mobility and is non-marking.



Wheel Diameter	Tread Width	Bearing	Hub Length	Axle Size	Color Tread/Core	Dynamic Load	Durometer/Shore Scale	Part Number
2"	13/16"	Plain	.92"	1/4"	Black	100 lbs	80D	006646
	13/16"	Plain	.92"	5/16"	Grey	100 lbs	80D	618710
2-1/2"	13/16"	Plain	.92"	1/4"	Black	110 lbs	80D	006744
3"	13/16"	Plain	.99"	1/4"	Black	120 lbs	80D	007380
	1-1/4"	Plain	1.56"	3/8"	Black	210 lbs	80D	615487
	1-5/16"	Roller	0.56"	3/8"	Black	225 lbs	80D	615647
3-1/2"	1-1/4"	Plain	1.56"	3/8"	Black	250 lbs	80D	615120
4"	15/16"	Plain	1.15"	5/16"	Black	150 lbs	80D	007271
	1-1/4"	Plain	1.56"	3/8"	Black	255 lbs	80D	615513
	1-5/8"	Roller	1.88"	3/8"	Black	300 lbs	80D	617903
5"	15/16"	Plain	1.15"	5/16"	Black	150 lbs	80D	007311
	1-1/4"	Plain	1.56"	3/8"*	Black	280 lbs	80D	615516
	2"	No Bearing	2.375"	1/2"*	Black	600 lbs	80D	617979
6"	2"	No Bearing	2.375"	1/2"*	Black	650 lbs	80D	618104
8"	2"	No Bearing	2.375"	1/2"*	Black	750 lbs	80D	618163

*Requires bearing and spanner

Rubber on Iron



Wheel Diameter	Tread Width	Bearing	Hub Length	Axle Size	Color Tread Core	Dynamic Load	Durometer/Shore Scale	Part Number
4"	2"	No Bearing	2.38"	1/2"*	Black	350 lbs	80A	618754
5"	2"	No Bearing	2.38"	1/2"*	Black	400 lbs	80A	618755
6"	2"	No Bearing	2.38"	1/2"*	Black	410 lbs	80A	618756
8"	2"	No Bearing	2.38"	1/2"*	Black	500 lbs	80A	618757

*Requires bearing and spanner

Wheels

Thermoplastic Rubber (TPR)

Thermoplastic Rubber (TPR) wheels offer resistance to oils and chemicals and are a great alternative to standard rubber wheels. The tread is mechanically bonded to the core to eliminate separation.



Wheel Diameter	Tread Width	Bearing	Thread Guard	Hub Length	Axle Size	Color Tread/Core	Dynamic Load	Durometer/Shore Scale	Part Number
2"	13/16"	Plain Bore	None	0.90"	1/4"	Grey/Black	80 lbs	40D	007962
	13/16"	Plain Bore	None	0.92"	5/16"	Grey/Grey	80 lbs	40D	618713
2-1/2"	13/16"	Plain Bore	None	0.90"	1/4"	Grey/Black	90 lbs	40D	007964
3"	13/16"	Plain Bore	None	1.00"	1/4"	Grey/Black	125 lbs	40D	007966
	1-1/4"	Delrin	None	1.5"	3/8"	Grey/Grey	210 lbs	85A	009014
	1-1/4"	Ball Bearing	None	1.625"	3/8"	Grey/Grey	210 lbs	85A	009104
	1-1/4"	Precision	Full	1.57"	3/8"	Grey/Grey	210 lbs	85A	009163
3-1/2"	1-1/4"	Delrin	None	1.5"	3/8"	Grey/Grey	250 lbs	85A	009197
	1-1/4"	Ball Bearing	Partial	1.625"	3/8"	Grey/Grey	250 lbs	85A	009198
4"	15/16"	Plain Bore	None	1.15"	5/16"	Grey/Black	125 lbs	75A	007273
	1-1/4"	Delrin	None	1.5"	3/8"	Grey/Grey	260 lbs	85A	009018
	1-1/4"	Ball Bearing	Partial	1.625"	3/8"	Grey/Grey	260 lbs	85A	009108
	1-1/4"	Precision	Full	1.57"	3/8"	Grey/Grey	260 lbs	85A	009167
	1-1/2"	Nylon	None	2.04"	3/8"*	Grey/Grey	250 lbs	85A	007740
	1-1/2"	Roller	None	2.04"	3/8"*	Grey/Grey	250 lbs	85A	007741
5"	1"	Plain Bore	None	1.15"	5/16"	Grey/Black	150 lbs	75A	007313
	1-1/4"	Delrin	None	1.5"	3/8"	Grey/Grey	280 lbs	85A	009022
	1-1/4"	Ball Bearing	Partial	1.625"	3/8"	Grey/Grey	280 lbs	85A	009112
	1-1/4"	Precision	Full	1.59"	3/8"	Grey/Grey	280 lbs	85A	009171
	1-1/2"	Nylon	None	2.04"	3/8"*	Grey/Grey	250 lbs	85A	007746
	1-1/2"	Roller	None	2.04"	3/8"*	Grey/Grey	250 lbs	85A	007747
6"	1-1/4"	Precision	Full	1.57"	3/8"	Grey/Grey	300 lbs	80-90 A	009899

*Requires spanner

TPR Flat



Prism/Diamond

Wheel Diameter	Tread Width	Bearing	Hub Length	Axle Size	Color Tread Core	Dynamic Load	Durometer/Shore Scale	Part Number
4"	2"	No Bearing	2.38"	1/2"*	Grey/grey	350 lbs	85A	618766
	2"	Delrin	2.38"	1/2"*	Grey/grey	350 lbs	85A	618883
5"	2"	No Bearing	2.38"	1/2"*	Grey/grey	375 lbs	85A	618767
	2"	Delrin	2.38"	1/2"*	Grey/grey	375 lbs	85A	618884
6"	2"	No Bearing	2.38"	1/2"*	Grey/grey	600 lbs	85A	618768
	2"	Delrin	2.38"	1/2"*	Grey/grey	600 lbs	85A	618885
8"	2"	No Bearing	2.38"	1/2"*	Grey/grey	675 lbs	85A	618769
	2"	Delrin	2.38"	1/2"*	Grey/grey	675 lbs	85A	618886

*Requires bearing and spanner **Requires spanner

TPR Donut



Prism/Diamond

Wheel Diameter	Tread Width	Bearing	Hub Length	Axle Size	Color Tread Core	Dynamic Load	Durometer/Shore Scale	Part Number
4"	2"	No Bearing	2.38"	1/2"*	Grey/grey	350 lbs	85A	618826
	2"	Delrin	2.38"	1/2"*	Grey/grey	350 lbs	85A	618887
5"	2"	No Bearing	2.38"	1/2"*	Grey/grey	375 lbs	85A	618827
	2"	Delrin	2.38"	1/2"*	Grey/grey	375 lbs	85A	618888
6"	2"	No Bearing	2.38"	1/2"*	Grey/grey	600 lbs	85A	618828
	2"	Delrin	2.38"	1/2"*	Grey/grey	600 lbs	85A	618889
8"	2"	No Bearing	2.38"	1/2"*	Grey/grey	675 lbs	85A	618829
	2"	Delrin	2.38"	1/2"*	Grey/grey	675 lbs	85A	618890

*Requires bearing and spanner **Requires spanner

Wheels

MonoTech Light Duty



Regent/Monarch Precision

MonoTech wheels are constructed of a special mix of monoprene that rejects almost every type of floor debris and has a high load capacity. Their soft tread durometer allows for maximum shock absorption and cushions the ride to protect your equipment, cargo and floors while reducing noise. They are resistant to most chemicals and oils.

Wheel Diameter	Tread Width	Bearing	Thread Guard	Hub Length	Axle Size	Color Tread/Core	Dynamic Load	Durometer/Shore Scale	Part Number
3"	15/16"	Plain Bore	None	1.01"	1/4"	Grey/Grey	120 lbs	65A	009001
4"	1"	Plain Bore	None	1.18"	5/16"	Grey/Grey	150 lbs	65A	009003
5"	1"	Plain Bore	None	1.18"	5/16"	Grey/Grey	160 lbs	65A	007315
	1"	Precision	Full	1.18"	5/16"	Grey/Grey	160 lbs	65A	007320

MonoTech Donut Tread



Institutional

Wheel Diameter	Tread Width	Bearing	Thread Guard	Hub Length	Axle Size	Color Tread/Core	Dynamic Load	Durometer/Shore Scale	Part Number	Institutional Wheel Code
4"	1-1/4"	Precision Ball	Partial	1-5/8"	3/8"	Grey/Grey	250 lbs	65A	009919	DMT(32)
	1-1/4"	Delrin	None	1-1/2"	3/8"	Grey/Grey	250 lbs	65A	009907	DMT(11)
5"	1-1/4"	Precision Ball	Partial	1-5/8"	3/8"	Grey/Grey	300 lbs	65A	009908	DMT(32)
	1-1/4"	Delrin	None	1-1/2"	3/8"	Grey/Grey	300 lbs	65A	009901	DMT(11)
6"	1-1/4"	Precision Ball	Partial	1-5/8"	3/8"	Grey/Grey	325 lbs	65A	009904	DMT(32)
	1-1/4"	Delrin	None	1-1/2"	3/8"	Grey/Grey	325 lbs	65A	009903	DMT(11)

MonoTech Flat Tread



Institutional

Wheel Diameter	Tread Width	Bearing	Thread Guard	Hub Length	Axle Size	Color Tread/Core	Dynamic Load	Durometer/Shore Scale	Part Number	Institutional Wheel Code
3-1/2"	1-1/4"	Precision Ball	Partial	1-5/8"	3/8"	Grey/Grey	250 lbs	65A	009916	FMT(32)
	1-1/4"	Delrin	None	1-1/2"	3/8"	Grey/Grey	250 lbs	65A	009913	FMT(11)
4"	1-1/4"	Precision Ball	Partial	1-5/8"	3/8"	Grey/Grey	300 lbs	65A	009917	FMT(32)
	1-1/4"	Delrin	None	1-1/2"	3/8"	Grey/Grey	300 lbs	65A	009914	FMT(11)
5"	1-1/4"	Precision Ball	Partial	1-5/8"	3/8"	Grey/Grey	325 lbs	65A	009918	FMT(32)
	1-1/4"	Delrin	None	1-1/2"	3/8"	Grey/Grey	325 lbs	65A	009915	FMT(11)

Pneumatic



Institutional

Pneumatic wheels absorb shock and reduce vibration to protect sensitive equipment and cargo by providing a smoother ride. The air cushioned tread rolls over floor cracks, obstacles and uneven surfaces with ease.

Wheel Diameter	Tread Width	Bearing	Hub Length	Axle Size	Color Tread/Core	Dynamic Load	Tire Pressure	Part Number
6"	1-1/4"	Ball Bearing	1.57	3/8"	Grey/Grey	150 lbs	90 PSI	006038
	1-1/4"	Ball Bearing	1.57	3/8"	Black/Grey	150 lbs	90 PSI	006006

No-Matic



Institutional

Pneumatic look and feel without the hassles of air pressure maintenance and flat tires! This maintenance-free caster wheel has similar cushion ride as pneumatic caster wheels.

Wheel Diameter	Tread Width	Bearing	Hub Length	Axle Size	Color Tread/Core	Dynamic Load	Durometer/Shore Scale	Part Number
6"	1-1/4"	Ball Bearing	1.57	3/8"	Grey/Grey	150 lbs	70A	009923
	1-1/4"	Ball Bearing	1.57	3/8"	Black/Grey	150 lbs	70A	009922

Wheels

Thermoplastic Urethane (TPU)



Thermoplastic Urethane Wheels (TPU) consist of a high-grade urethane tread mechanically interlocked to a polyolefin core. The urethane tread offers extended wear, protects floors and resists chemicals and oils.

Wheel Diameter	Tread Width	Bearing	Thread Guard	Hub Length	Axle Size	Color Tread/Core	Dynamic Load	Durometer/Shore Scale	Part Number
2"	13/16"	Plain	None	.90"	1/4"	Grey/Black	100 lbs	40D	007963
2-1/2"	13/16"	Plain	None	.90"	1/4"	Grey/Black	120 lbs	40D	007965
3"	13/16"	Plain	None	.90"	1/4"	Grey/Black	125 lbs	40D	007967
	1-1/4"	Ball Bearing	None	1.625"	3/8"	Grey/Grey	250 lbs	45D	009101
	1-1/4"	Ball Bearing	None	1.625"	3/8"	Blue/Grey	250 lbs	45D	009102
3-1/2"	1-1/4"	Ball Bearing	Partial	1.625"	3/8"	Grey/Grey	275 lbs	45D	009199
4"	15/16"	Plain	None	1.15"	5/16"	Grey/Black	150 lbs	40D	007274
	1-1/4"	Ball Bearing	Partial	1.625"	3/8"	Grey/Grey	300 lbs	45D	009105
	1-1/4"	Ball Bearing	Partial	1.625"	3/8"	Blue/Grey	300 lbs	45D	009106
	1-1/2"	Nylon	None	2.04"	3/8"*	Grey/Grey	400 lbs	45D	007742
	1-1/2"	Roller	None	1.90"	3/8"*	Grey/Grey	400 lbs	45D	007743
5"	1"	Plain	None	1.15"	5/16"	Grey/Black	150 lbs	40D	007314
	1-1/4"	Ball Bearing	Partial	1.625"	3/8"	Grey/Grey	315 lbs	45D	009109
	1-1/4"	Ball Bearing	Partial	1.625"	3/8"	Blue/Grey	315 lbs	45D	009110
	1-1/2"	Nylon	None	2.04"	3/8"*	Grey/Grey	400 lbs	45D	007748
	1-1/2"	Roller	None	1.90"	3/8"*	Grey/Grey	400 lbs	45D	007749
6"	1-1/4"	Precision	Full	1.57"	3/8"	Grey/Grey	300 lbs	40-50 D	009898

*Requires spanner

Urethane on Poly



Prism/Diamond

High-grade urethane tread mechanically interlocked to a polyolefin core. The urethane tread offers extended wear, protects floors and resists chemicals and oils.

Wheel Diameter	Tread Width	Bearing	Hub Length	Axle Size	Color Tread Core	Dynamic Load	Durometer/Shore Scale	Part Number
4"	2"	No Bearing	2.38"	1/2"*	Blue/Black	700 lbs	95A	618762
5"	2"	No Bearing	2.38"	1/2"*	Blue/Black	750 lbs	95A	618763
6"	2"	No Bearing	2.38"	1/2"*	Blue/Black	900 lbs	95A	618764
8"	2"	No Bearing	2.38"	1/2"*	Blue/Black	1,000 lbs	95A	618765

*Requires bearing and spanner

K Solid Urethane



Molded from a high strength urethane compound which possesses the load characteristics of steel but gives the smooth effortless ride you expect from polyurethane.

Wheel Diameter	Tread Width	Hub Length	Axle Size	Dynamic Load	Durometer/Shore Scale	Plain Bearing Part Number	Roller Bearing Part Number	Delrin Bearing Part Number	Precision Ball Bearing Part Number
4"	2	2-3/16"	1/2"*	700 lbs	55D	44191	42002	41999	42911
5"	2"	2-3/16"	1/2"*	1,200 lbs	55D	44198	42005	42008	42920
6"	2"	2-3/16"	1/2"*	1,200 lbs	55D	44200	42014	42012	42922
8"	2"	2-3/16"	1/2"*	1,500 lbs	55D	44202	42018	42016	42912

*Requires spanner

Wheels

RT Reinforced Thermoplastic



Reinforced Thermoplastic material and specific processing create this high performance, durable, and cost effective wheel. The wheels are extremely resistant to water, chemical absorption, and steam cleaning. Standard wheel operating temperature range is -20°F to +250°F and the High Temperature version range is -20°F to +480°F. Durometer is 65D.

Wheel Diameter	Tread Width	Hub Length	Axle Size	Dynamic Load	Durometer/ Shore Scale	Plain Bearing Part Number	Roller Bearing Part Number	Delrin Bearing Part Number	Precision Ball Bearing Part Number
4"	2"	2-3/16"	1/2"*	800 lbs	65D	44241	-	-	-
	2"	2-3/16"	1/2"*	800 lbs	65D	-	42913	42892	42923
5"	2"	2-3/16"	1/2"*	800 lbs	65D	44271	-	-	-
	2"	2-3/16"	1/2"*	800 lbs	65D	-	42914	42908	42917
6"	2"	2-3/16"	1/2"*	1,200 lbs	65D	44254	-	-	-
	2"	2-3/16"	1/2"*	1,200 lbs	65D	-	42915	42909	42918
8"	2"	2-3/16"	1/2"*	1,400 lbs	65D	44276	-	-	-
	2"	2-3/16"	1/2"*	1,400 lbs	65D	-	42916	42910	42919

RT High-Temp -20°F to +480°F

4"	2"	2-3/16"	1/2"*	800 lbs	65D	44210	-	-	-
	2"	2-3/16"	1/2"*	800 lbs	65D	-	37904	43979	42934
5"	2"	2-3/16"	1/2"*	800 lbs	65D	44211	-	-	-
	2"	2-3/16"	1/2"*	800 lbs	65D	-	37905	43980	42935
6"	2"	2-3/16"	1/2"*	1,200 lbs	65D	44212	-	-	-
	2"	2-3/16"	1/2"*	1,200 lbs	65D	-	37906	43981	42936
8"	2"	2-3/16"	1/2"*	1,400 lbs	65D	44213	-	-	-
	2"	2-3/16"	1/2"*	1,400 lbs	65D	-	37907	43982	42937

*Requires spanner

Eagle Urethane



Unique interlocking urethane tread on polyolefin core offers superior adhesion. Its operating temperature range is -40°F to 280°F.

Wheel Diameter	Tread Width	Wheel Bearing	Hub Length	Axle Size	Dynamic Load	Durometer/ Shore Scale	Part Number
4"	2"	Plain	2-3/16"	1/2"*	600 lbs	90A	45804
	2"	Delrin	2-25/64"	1/2"*	600 lbs	90A	37680
	2"	Roller	2-25/64"	1/2"*	600 lbs	90A	37682
5"	2"	Plain	2-3/16"	1/2"*	900 lbs	90A	44066
	2"	Delrin	2-25/64"	1/2"*	900 lbs	90A	37696
	2"	Roller	2-25/64"	1/2"*	900 lbs	90A	37697
6"	2"	Plain	2-3/16"	1/2"*	1,100 lbs	90A	44117
	2"	Delrin	2-25/64"	1/2"*	1,100 lbs	90A	37707
	2"	Roller	2-25/64"	1/2"*	1,100 lbs	90A	37711
8"	2"	Plain	2-3/16"	1/2"*	1,200 lbs	90A	44115
	2"	Delrin	2-25/64"	1/2"*	1,200 lbs	90A	37714
	2"	Roller	2-25/64"	1/2"*	1,200 lbs	90A	37717

*Requires spanner

Wheels

Urethane on Aluminum



Bassick
Honcho

Honcho (Urethane on Aluminum) wheels combine a specially designed interlocking system with a unique urethane formulation to produce one of the toughest, most durable wheels on the market. The Honcho wheel offers a high load capacity and excellent floor protection. These wheels are recommended in hand pushed or towed applications where dependability, durability and quality are necessary.

Wheel Diameter	Tread Width	Bearing	Hub Length	Axle Size	Color Tread/Core	Dynamic Load	Durometer/Shore Scale	Part Number
5"	2"	No Bearing	2.38"	1/2"*	Blue/Grey	1,500 lbs	95A	617974
6"	2" 2-1/2"	No Bearing No Bearing	2.38" 2.94"	1/2"* 1/2"*	Blue/Grey Blue/Grey	1,500 lbs 1,750 lbs	95A 95A	618061 615573
8"	2" 2-1/2"	No Bearing No Bearing	2.38" 2.94"	1/2"* 1/2"*	Blue/Grey Blue/Grey	1,500 lbs 1,750 lbs	95A 95A	618142 615575
10"	2-1/2"	No Bearing	2.94"	1/2"*	Blue/Grey	1,750 lbs	95A	615579

*Requires bearing and spanner

Urethane on Iron



Prism/Diamond

Wheel Diameter	Tread Width	Bearing	Hub Length	Axle Size	Color Tread Core	Dynamic Load	Durometer/Shore Scale	Part Number
4"	2"	No Bearing	2.38"	1/2"	Blue/Grey	700 lbs	85A	618758
5"	2"	No Bearing	2.38"	1/2"	Blue/Grey	1,000 lbs	85A	618759
6"	2"	No Bearing	2.38"	1/2"	Blue/Grey	1,200 lbs	85A	618760
8"	2"	No Bearing	2.38"	1/2"	Blue/Grey	1,200 lbs	85A	618761

*Requires bearing and spanner

Glass Filled Nylon



Glass Filled Nylon wheels offer high impact resistance, are capable of supporting heavy loads and are extremely durable.

Wheel Diameter	Tread Width	Bearing	Hub Length	Axle Size	Color Tread/Core	Dynamic Load	Durometer/Shore Scale	Part Number
3"	1-13/16"	Precision	2.03	7/16	Black	1,000 lbs	85D	006300

Urethane



Urethane wheels help absorb shock for smooth, silent transport.

Wheel Diameter	Tread Width	Bearing	Hub Length	Axle Size	Color Tread/Core	Dynamic Load	Durometer/Shore Scale	Part Number
3"	1-13/16"	Roller	2.05	7/16*	Grey	1,000 lbs	55-65 D	006299

*Requires spanner

Vipor



Regent/
Monarch

Institutional

Vipor Wheels are constructed of a special material that is highly resistant to most chemicals and oils. The high-tech transparent look enhances your equipment's appearance.

Wheel Diameter	Tread Width	Bearing	Hub Length	Axle Size	Color Tread/Core	Dynamic Load	Durometer/Shore Scale	Part Number
2"	7/8"	Plain	1"	1/4"	Clear/Grey	80 lbs	90A	001920
3"	15/16"	Plain	.99"	1/4"	Clear/Grey	120 lbs	85-90A	001899
6"	1-1/4"	Ball	1.59"	3/8"	Clear/Grey	300 lbs	85-95A	009256

Wheels

Phenolic



Bassick
Honcho

Phenolic Wheels have high load capacity, are impact resistant and easy rolling. These wheels are non-marking and recommended for hand-pushed or power-towed applications on hard smooth floors or carpeting.

Wheel Diameter	Tread Width	Bearing	Hub Length	Axle Size	Color Tread/Core	Dynamic Load	Durometer/Shore Scale	Part Number
3"	1-5/16"	No Bearing	0.156"	3/8"*	Black	400 lbs	95D	615633
	1-13/16"	No Bearing	1.94"	3/8"*	Black	900 lbs	95D	615529
4"	1-5/8"	No Bearing	1.88"	3/8"*	Black	600 lbs	95D	617898
4"	2"	No Bearing	2.38"	1/2"*	Black	800 lbs	95D	617937
5"	2"	No Bearing	2.38"	1/2"*	Black	1,250 lbs	95D	618012
6"	2"	No Bearing	2.38"	1/2"*	Black	1,500 lbs	95D	618095
8"	2"	No Bearing	2.38"	1/2"*	Black	1,500 lbs	95D	618156

*Requires bearing and spanner

Sintered Iron



Bassick
Honcho

Sintered Iron wheels are powdered iron molded under pressure and sintered providing strong, concentric, smooth faced wheels.

Wheel Diameter	Tread Width	Bearing	Hub Length	Axle Size	Color Tread/Core	Dynamic Load	Part Number
3"	1-5/16"	No Bearing	1.56"	5/16"*	Grey	225 lbs	615475

*Requires spanner

Cast Iron



Prism/
Diamond

Wheel Diameter	Tread Width	Bearing	Hub Length	Axle Size	Color Tread Core	Dynamic Load	Durometer/Shore Scale	Part Number
4"	2"	No Bearing	2.38"	1/2"*	Grey	800 lbs	N/A	618778
5"	2"	No Bearing	2.38"	1/2"*	Grey	1,000 lbs	N/A	618779
6"	2"	No Bearing	2.38"	1/2"*	Grey	1,200 lbs	N/A	618780
8"	2"	No Bearing	2.38"	1/2"*	Grey	1,200 lbs	N/A	618781

*Requires bearing and spanner

Sockets

Wood Sockets



002719-50

002255

Socket Number	Material	Hole Required	Tack Plate	Attachment	Compatible Grip Ring/ Neck Fast.	Part Number
SR2402ZN-M36	Metal	3/8" x 1-5/8"	3/4" Dia.	Wood Press	302	002719-50
S66Z-B	Metal	9/16" x 1-1/2"	2-1/8" Dia.	1/4" screws	211, 223, 291	002255

Welded Sockets



Socket Number	Material	Hole Required	Tack Plate	Compatible Fastenings	Part Number
S10X	Metal	0.59"	0.937"	211,223, 291, 273	618659

Round Tube Sockets

Light Duty



Socket Number	Material/ Color	Tubing Gauge	Socket OD	Tube ID (Dia.)	Compatible Grip Ring/Neck Fast.	Part Number
PSR0916BR-PE (5/16)	Plastic/Brown	9/16", 16 Ga.	0.450	0.433	302	003027

Heavy Duty



PSR1616BK-PE (7/16)	Polyethylene/ Black	1" -16 Ga.	0.894	0.870	223, 211, 291, 273	002460
PSR1618BK-PE (7/16)	Polyethylene/ Black	1" -18 Ga.	0.924	0.902	223, 211, 291, 273	002473
P123	Polyethylene	1-1/6" -13 Ga	0.894	0.872	223,211,291,273	43446
RT123RD	Reinforced Thermoplastic	1-1/6" -13 Ga	0.877	0.872	223,211,291,273	43401
RT125RD	Reinforced Thermoplastic	1" -18 Ga.	0.907	0.902	223,211,291,273	43403
RT127RD	Reinforced Thermoplastic	1-1/4" -16 Ga.	1.125	1.12	223,211,291,273	43405

002512



PSR2616ZN-ST(7/16)	Metal	1-5/8 "-16 Ga.	-	1.505	211,273,291	002512
--------------------	-------	----------------	---	-------	-------------	--------

Square Tube Sockets

Light Duty



Socket Number	Material/ Color	Tubing Gauge	Socket OD	Tube ID (Sq.)	Compatible Grip Ring/Neck Fast.	Part Number
PSS1220WH-PE (5/16)	Plastic/White	3/4" -20 Ga.	0.695	0.678	302	002500
PSS1616WH-PE (5/16)	Plastic/White	1" -16 Ga.	0.890	0.880	302	002492

Heavy Duty



PSS1618BK-RT	Glass Filled Nylon	1" -18 Ga.	0.916	0.902	223, 211, 291, 273	001640
RT620SQ	Reinforced Thermoplastic	3/4" -16 Ga.	0.620	0.62	223,211,291,273	43531
EW4689SQ	Polyethylene	1" -16 Ga.	0.917	0.87	223,211,291,273	43484
RT880SQ	Reinforced Thermoplastic	1-1/32" .080 Wall	0.892	0.88	223,211,291,273	43507
ER4983SQ	Reinforced Thermoplastic	1" -18 Ga	0.900	0.902	223,211,291,273	43491
RT1150SQ	Reinforced Thermoplastic	1-1/4" -18 Ga	1.157	1.152	223,211,291,273	43521
RT1400SQ	Reinforced Thermoplastic	1-1/2" -18 Ga	1.407	1.402	223,211,291,273	43519

Heavy Duty



PSS2016ZN-ST(7/16)	Metal	1-1/4", 16 Ga.	-	1.13	211,273,291	002513
--------------------	-------	----------------	---	------	-------------	--------

Sockets

Plastic Socket



Socket Number	Material/Color	Tubing Gauge	Socket OD	Tube ID	Compatible Grip Ring/Neck Fast.	Part Number
PSR1213WH-PE (7/16)	Plastic/White	3/4", .083 wall	.595"	.584	223, 211, 291, 273	002515

PVC Socket



Socket Number	Material/Color	Tubing Gauge	Socket OD	Tube ID	Compatible Grip Ring/Neck Fast.	Part Number
PSR832WH-PVC (7/16)	PVC/White	Schedule 40 PVC PIPE	1.663	0.433	211, 273	002717

Metal Tee Nut



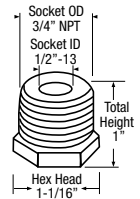
Socket Number	Hole Required	Compatible Threaded Stem Fastenings	Part Number
Nut SBW33	3/8"	525, 532, 545, 507	002348

Pipe Thread Socket



Material	Hex Head	Socket OD	Socket ID	Total Height	Part Number
Steel	1-1/16"	3/4" NPT	1/2"-13	1"	010003

Works with any 741 or 748 fastening. Use with Regent, Institutional, Z Series, Ultima II & Softech.



Corner Brackets



003312-20

003313-20

Socket Number	Material	Overall Height	Hole Diameter	Compatible Grip Ring/Neck Fast.	Part Number
90,° w/11/32" Holes and Tabs	Unplated Steel	1-1/2"	11/32"	223, 211, 291, 273	003313-20
180,° w/11/32" Holes and Tabs	Unplated Steel	1-1/2"	11/32"	223, 211, 291, 273	003312-20

Floor Locks



Features	Applications	Options
<ul style="list-style-type: none"> • Strong cast iron construction • Corrosion resistant finishes • Easy activation foot pedal • Reinforced rubber pad on base 	<ul style="list-style-type: none"> • Leveling, stabilizing and elevating portable equipment 	Bronze or silver finishes

Floor Locks (Capacity 1,000 lbs)								
Use With Caster Dia.	Mnt. Height	Retracted Height	Mounting Plate			Finish (Paint)	Approx. Wt.	Part Number
			Top Plate Size	Bolt Hole Spacing	Bolt Dia.			
4"	5-5/8"	4-11/16"	3-11/16" x 5-3/8"	2-5/8" x 3-5/8"	3/8"	Bronze	8	F410U*
	5-13/32"	4-11/16"	3-11/16" x 5-3/8"	2-5/8" x 3-5/8"	3/8"	Silver	8	F430S*
6"	7-1/4"	6-1/4"	4-1/2" x 6"	2-7/16" x 4-15/16"	1/2"	Silver	10	F550S
	7-3/4"	6-3/4"	4-1/2" x 6"	2-7/16" x 4-15/16"	1/2"	Bronze	10	F600U
8"	9-15/16"	8-7/8"	5-3/8" x 7-1/4"	3-3/8" x 5-1/4"	1/2"	Bronze	14	F800U
	10-1/4"	9-1/4"	5-3/8" x 7-1/4"	3-3/8" x 5-1/4"	1/2"	Silver	15	F802S

*Kick release bar standard only on F410 and F430 models.

Leveling Jacks



Features	Applications
<ul style="list-style-type: none"> • Retractable Folding Hand Crank • Reinforced rubber pad on base • Zinc plated for corrosion resistance 	<ul style="list-style-type: none"> • Leveling, stabilizing and elevating portable equipment

Leveling Jacks					
Overall Height	Min. Ht. Below Frame of Equipment	Max. Extended Ht. Below Frame of Equipment	Length of Screw Travel	Approx. Weight (lbs)	Part Number
18"	4-1/2"	13-1/2"	9"	10-1/2	J625
26"	4-1/2"	21-1/2"	17"	12-1/2	J622
30"	4-1/2"	25-1/2"	21"	14	J627

Accessories

Nickel Glides



Glide Number	Part Number	Base Diameter	Stem Dimensions	Description
CG07NI	002408	7/8" Dia.	-	Nail-On Rubber Cushion Nickel Base

Phenolic Glides



Glide Number	Part Number	Base Diameter	Stem Dimensions	Description
GB3	002332	1-1/4"	5/16"-18 x 1-1/2"	Rigid Stem Type Phenolic Base
GB4	002333	1-1/2"	5/16"-18 x 1-1/2"	Rigid Stem Type Phenolic Base
GB5	002336	1-7/8"	3/8"-16 x 1-7/8"	Rigid Stem Type Phenolic Base

Maxim Hex Nut Glides

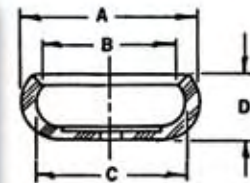


Part Number	Base Diameter	Cushion material	Stem Dimensions	Description
002360	1-3/8"	PVC	1/4"-20 x 1"	Maxim glides with hex nut at stem base
002361	1-3/8"	Polyethylene	5/16"-18 x 1"	Maxim glides with hex nut at stem base
002363	1-3/8"	Polyethylene	5/16"-18 x 1-1/2"	Maxim glides with hex nut at stem base
002365	1-3/8"	Polyethylene	5/16"-18 x 2"	Maxim glides with hex nut at stem base
002366	1-3/8"	Polyethylene	3/8"-16 x 1"	Maxim glides with hex nut at stem base
002369	1-3/8"	Polyethylene	3/8"-16 x 1-1/2"	Maxim glides with hex nut at stem base
002370	1-3/8"	Polyethylene	3/8"-16 x 3-1/2"	Maxim glides with hex nut at stem base
002372	1-3/4"	Polyethylene	1/4"-20 x 1"	Maxim glides with hex nut at stem base
002374	1-3/4"	Polyethylene	5/16"-18 x 1"	Maxim glides with hex nut at stem base
002377	1-3/4"	PVC	3/8"-16 x 1-1/2"	Maxim glides with hex nut at stem base
002378	1-3/4"	Polyethylene	3/8"-16 x 1-1/2"	Maxim glides with hex nut at stem base

Furniture Glide Retread Caps



Part Number	A	B	C	D
004632	1.120/1.130	.920/.930	1.019/1.029	.365/.375
004634	1.265/1.275	.995/1.010	1.105/1.115	.365/.375
004636	1.360/1.375	1.130/1.145	1.190/1.205	.345/.390
004637	1.357/1.375	1.158/1.180	1.245/1.255	.375/.390
004638	1.360/1.370	1.160/1.170	1.260/1.270	.375/.385
004641	1.480/1.490	1.255/1.265	1.375/1.385	.415/.425



Hand-L-Hold



Part Number	Description
504163 M515-6	Predrilled for quick and easy mounting on maintenance carts, maid carts, breakfast carts, closets and carousels

Grips mops, brooms, garden tools, hoses, etc.

Threaded Stem Washer Wrench



Model	Description
009499	Double prong, zinc finished, wrench that fits Regent and Institutional casters.

Clamps & Strikes *Bassick*

Hook Clamps



The Bassick Hook Clamp is a general purpose clamp for most common applications. The simple toggle action mechanism combined with a high-tensile alloy steel spring exerts a clamping force of 50-75 lbs when actuated. The clamps operate easily, hold well and are ideal for most simple fastening operations. Several Clamp and Strike styles are available for added variety and versatility. Contact Customer Service for individual clamp and strike specifications.

Loop Clamps & Strikes



Bassick's general purpose Loop Clamps can be useful in a variety of applications. The high-tensile alloy steel spring exerts a clamping force of 50-75 lbs when actuated. Attachment is simple with several clamp and strike styles to choose from. Contact Customer Service for individual clamp and strike specifications.

Heavy Duty Clamps and Strikes



Bassick's Heavy Duty Clamps come with several mounting patterns and strike configurations for attachment and application versatility. The clamps are perfect wherever maximum clamping force is required. They are designed to apply a closing force of 275 lbs per clamp. Contact Customer Service for individual clamp and strike specifications.

Hinge Clamps and Strikes



Bassick's Hinge Clamps are designed to work as Clamp-Hinge combinations. Functioning both as a clamp and, in the closed position, a hinge, these clamps are ideal for many specialty type applications. The clamp applies a closing force of 50-75 lbs per clamp and comes in several configurations. Contact Customer Service for individual clamp and strike specifications.

Right Angle Clamps and Strikes



Bassick's 90 degree-Right Angle Clamps are intended for applications where a top mounted clamp is desirable. Ideal for use where space limitations exist. The high-tensile alloy steel spring exerts a clamping force of 50-75 lbs when actuated. Several clamp and strike configurations are available. Contact Customer Service for individual clamp and strike specifications.

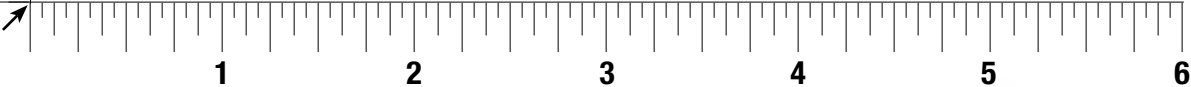


SWIVEL AND RIGID PLATE FASTENING MEASUREMENT GUIDE

On the next seven pages the Shepherd top plate illustrations are available at actual size for your identification convenience. For other plate sizes first lay the corner of the plate at the arrow. This will give you overall plate size. Then lay the center of one of the bolt holes in the same position, this will help you figure the bolt hole spacing. Finally refer to chart below to determine the fastening number.

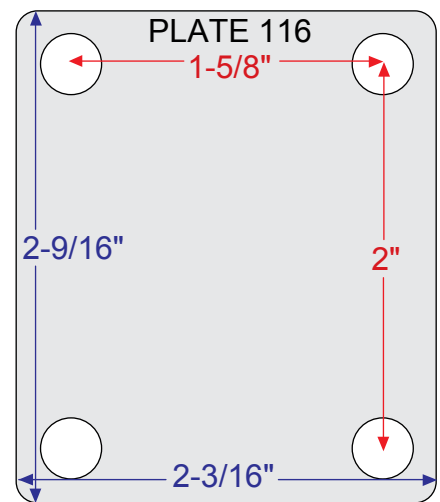
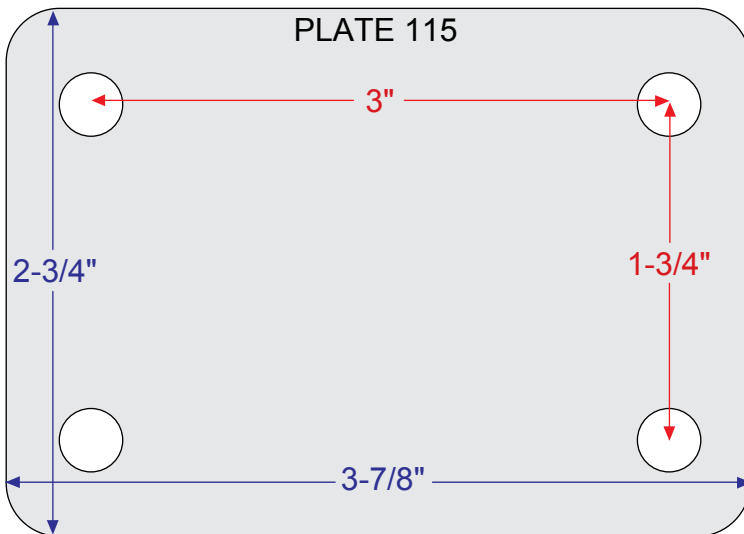
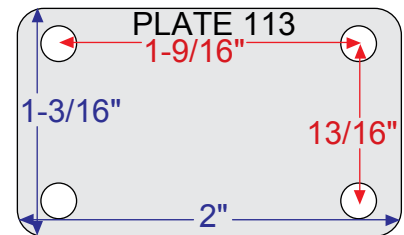
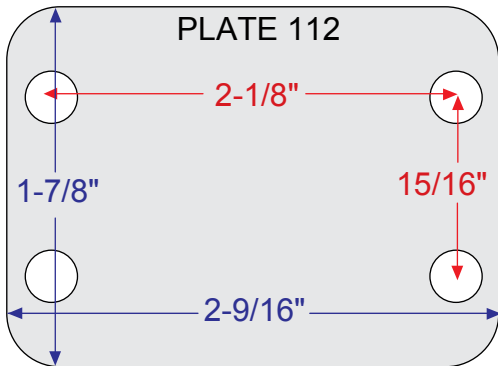
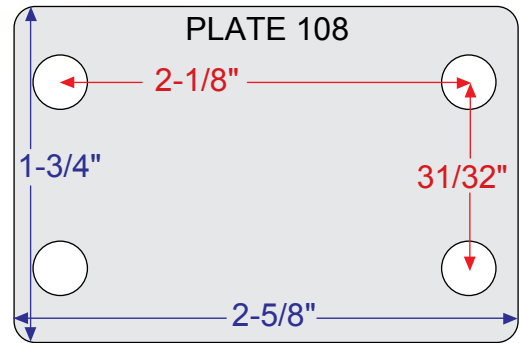
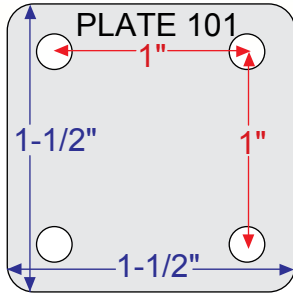
Fastening Number	Plate Size	Bolt Hole Spacing	Actual Plate Size Diagram Page
101.....	1-1/2" x 1-1/2"	1" x 1"	107
108.....	1-3/4" x 2-5/8"	31/32" x 2-1/8"	107
112.....	1-7/8" x 2-9/16"	15/16" x 2-1/8"	107
113.....	1-3/16" x 2"	13/16" x 1-9/16"	107
115.....	2-3/4" x 3-7/8"	1-3/4" x 3"	107
116.....	2-3/16" x 2-9/16"	1-5/8" x 2"	107
119.....	3-1/8" x 4-1/8"	2-3/8" x 3-3/8" to 3-7/16"	108
120.....	2-5/8" x 3-3/4"	1-3/4" x 2-3/4" to 3"	108
121.....	4" x 5-1/8"	3" x 4"	108
122.....	1-1/2" x 2-11/16"	15/16" x 2-1/8"	108
123.....	2-1/8" x 4-3/8"	1-1/16" x 3-1/2"	109
124.....	2-5/16" x 4-7/8"	1-3/16" x 4"	109
125.....	3-1/16" x 6-1/8"	1-3/4" x 5"	109
134.....	1-1/4" x 2-3/8"	13/16" x 1-7/8"	110
138.....	2-1/2" x 3-5/8"	1-3/4" x 2-3/4" to 2-7/8"	110
140.....	1-3/4" x 3"	1" x 2-1/4"	110
142.....	2-1/2" x 3-5/8"	1-3/4" x 2-3/4"-3"	110
149.....	3-3/4" x 4-1/2"	2-5/8" to 3" x 3" to 3-5/8"	110
152.....	3-1/8" x 4-1/8"	2-3/8" x 3-3/8"	111
153.....	2-1/2" x 4-1/8"	1-15/16" x 3-3/8"	111
155.....	3-3/4" x 4-5/8"	2-5/8" to 3" x 3" to 3-5/8"	111
156.....	4" x 4-1/2"	2-5/8" to 3" x 3" to 3-5/8"	112
157.....	5" x 5-1/2"	4-1/8" x 4-1/2"	112
158.....	4-1/2" x 6-1/4"	2-7/16" to 3-3/8" x 4-15/16" to 5-1/4"	Measure
159.....	4-3/4" x 6-5/8"	3-3/8" x 5-1/4"	Measure
161.....	2-5/8" x 3-3/4"	1-3/4" x 2-5/8"-3-1/8"	113
162.....	3-1/8" x 4-1/8"	1-3/4" to 2-3/8" x 3" to 3-3/8"	113

INCHES

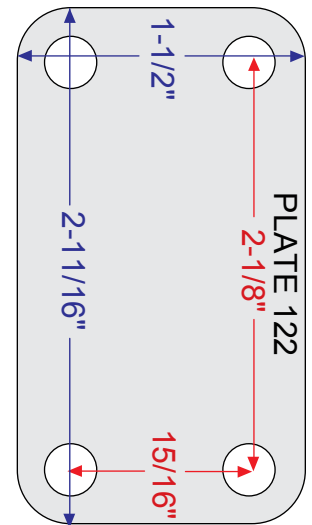
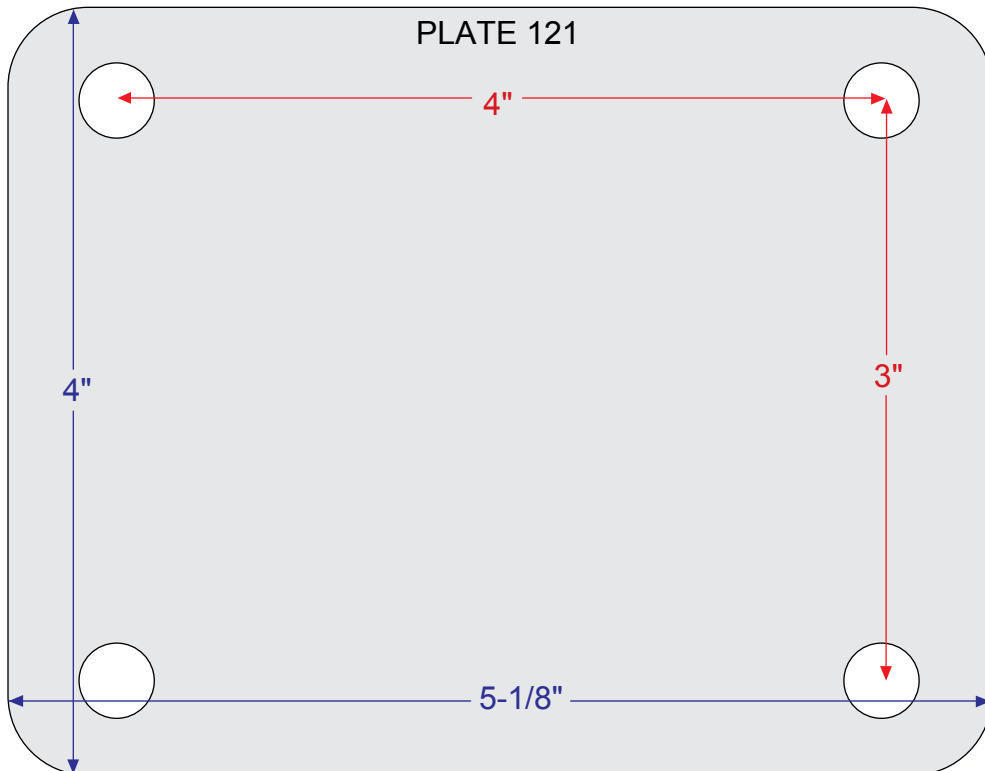
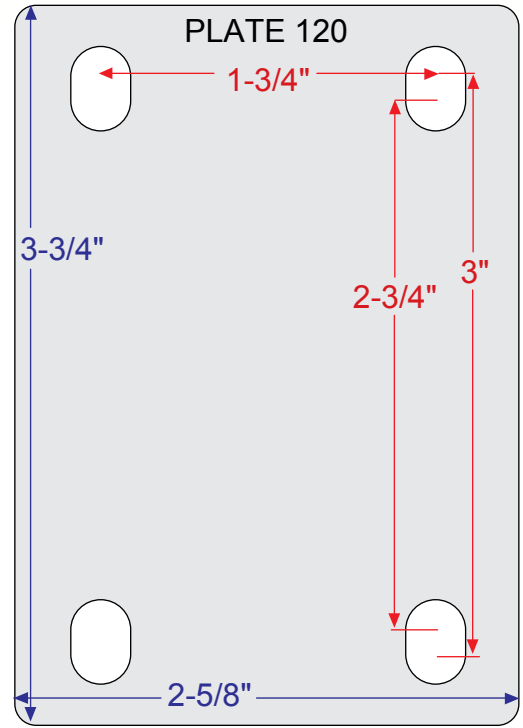
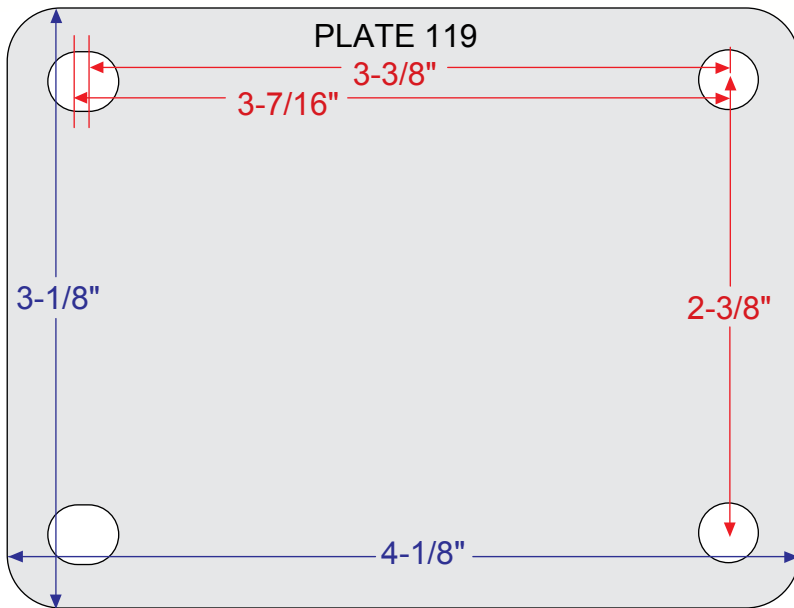


Fastenings

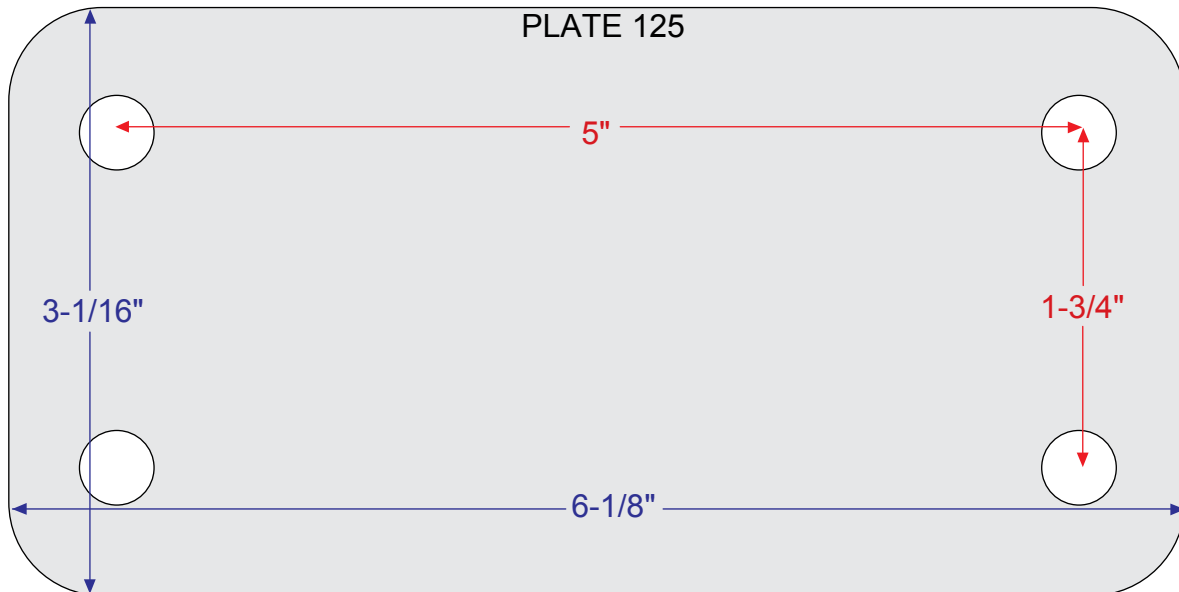
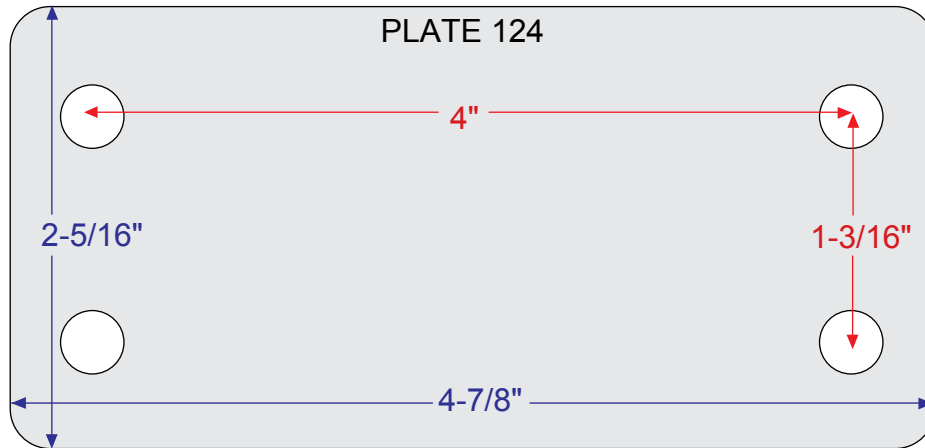
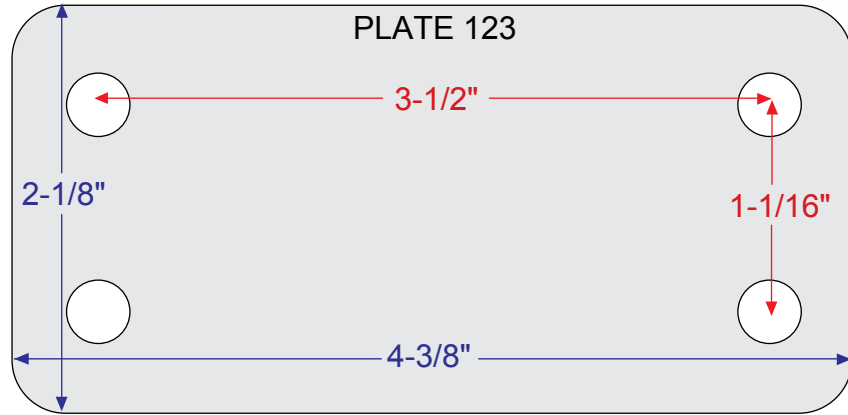
Actual sizes of the more popular top plates.



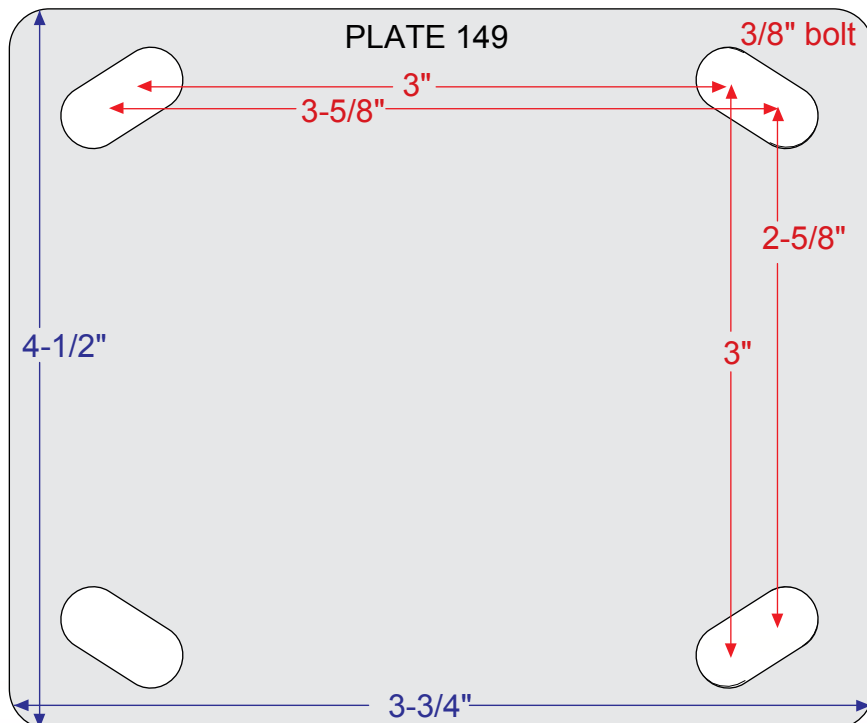
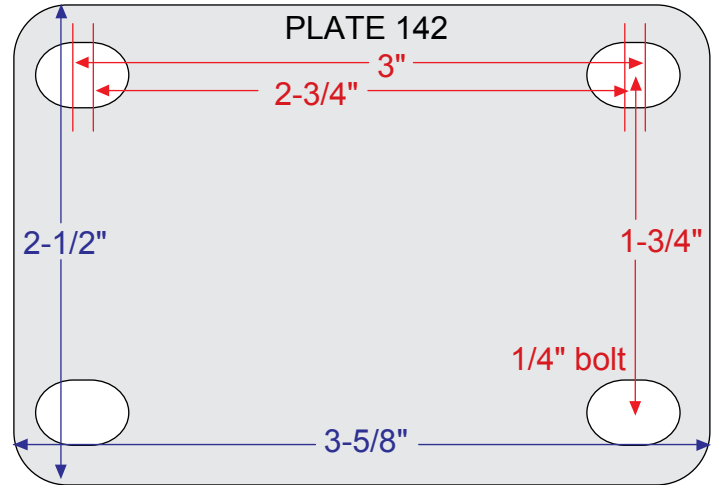
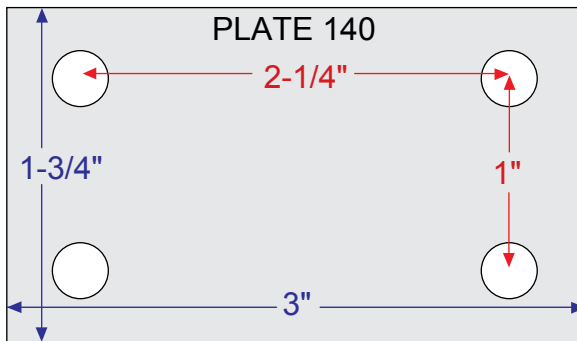
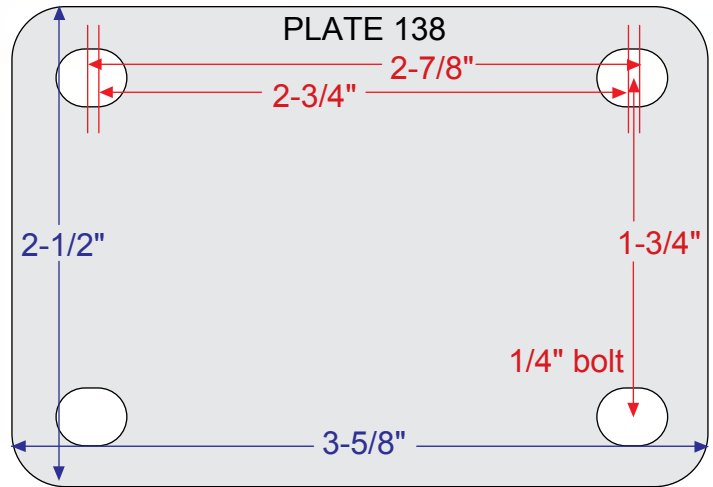
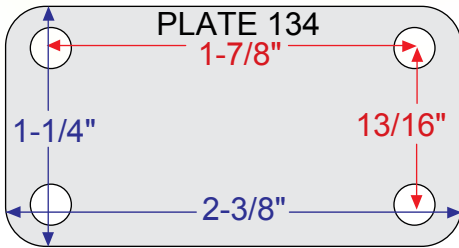
Fastenings



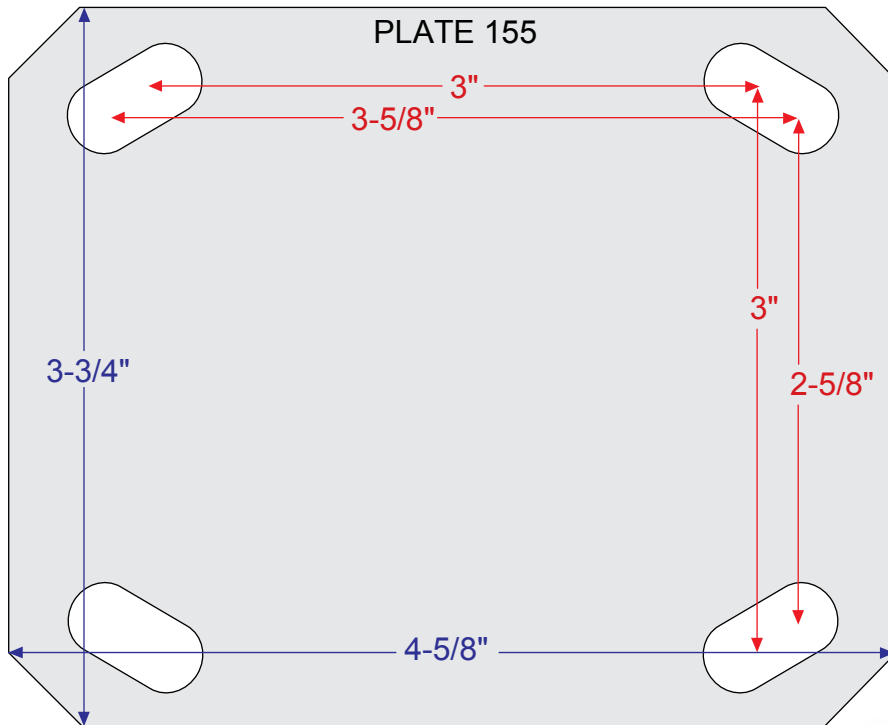
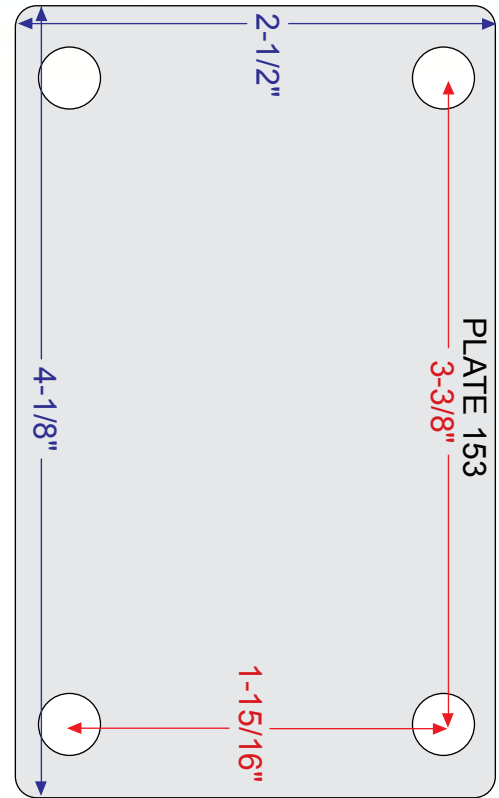
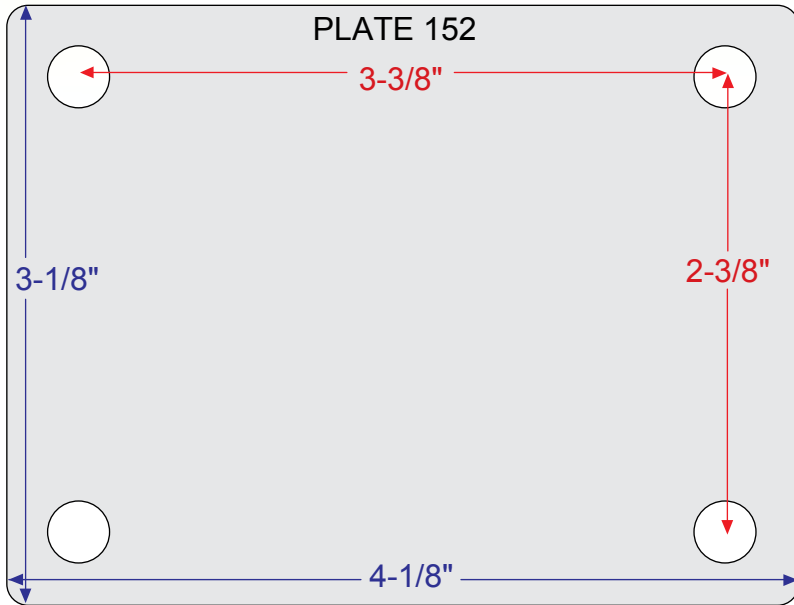
Fastenings



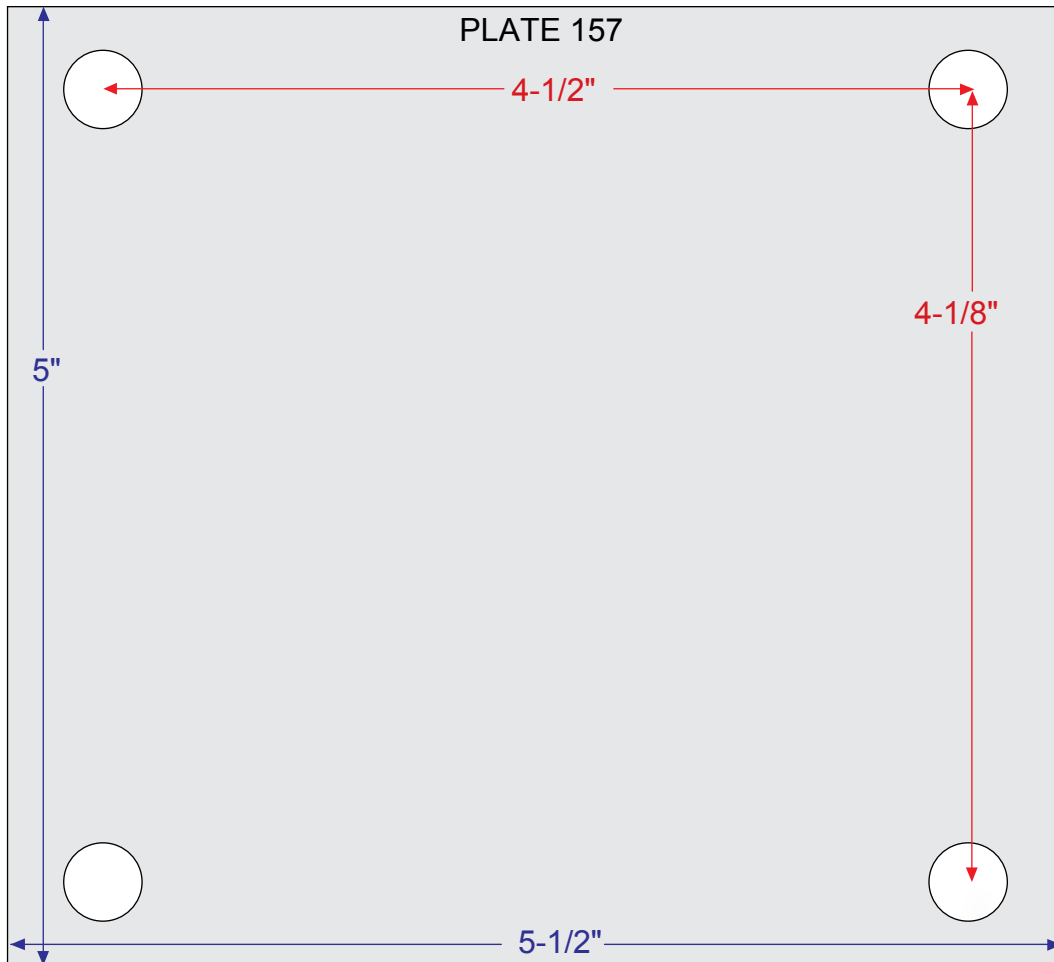
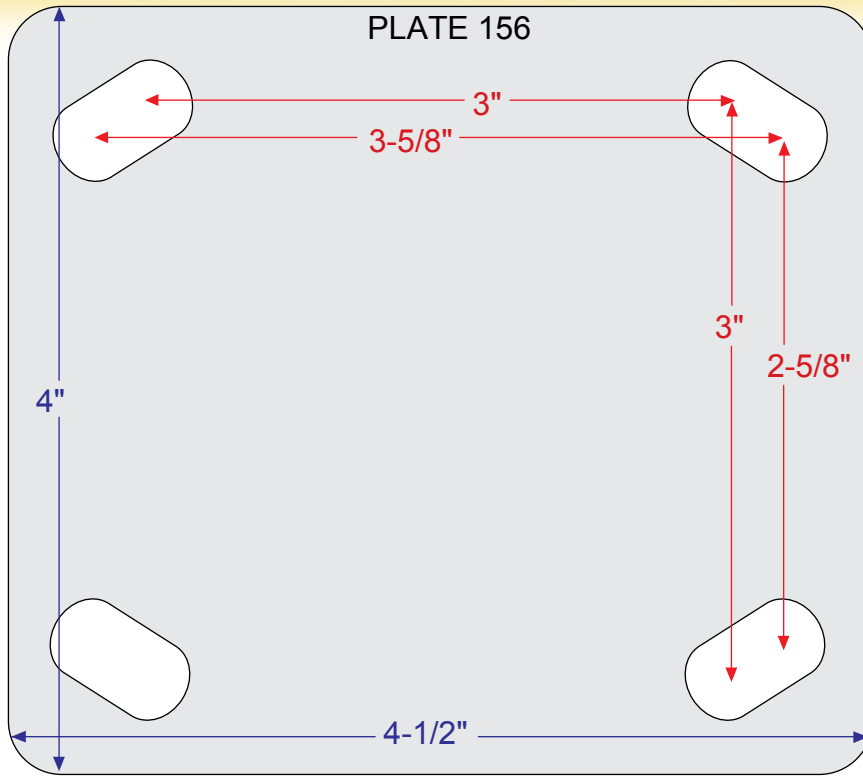
Fastenings



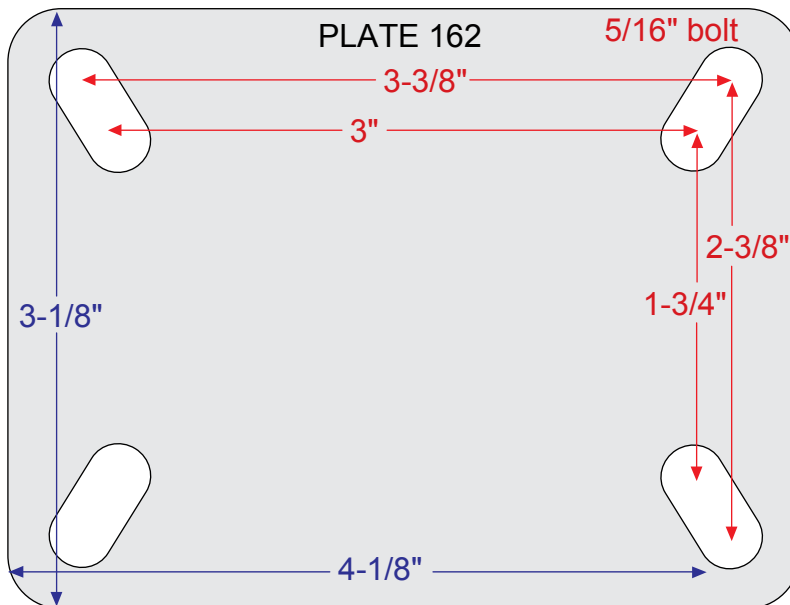
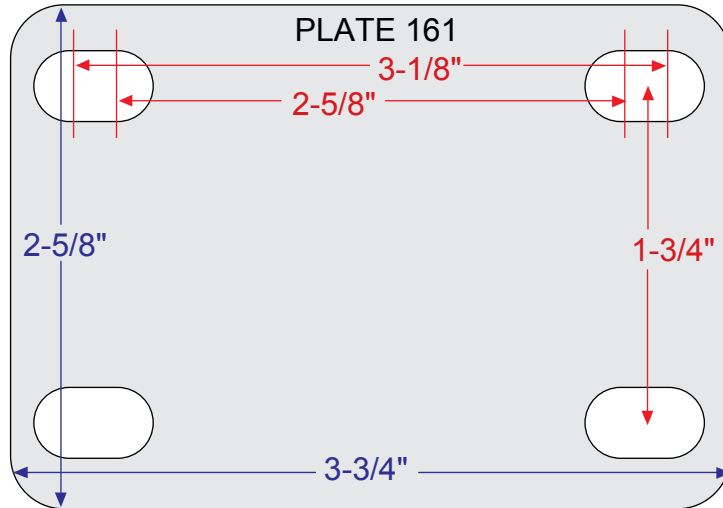
Fastenings



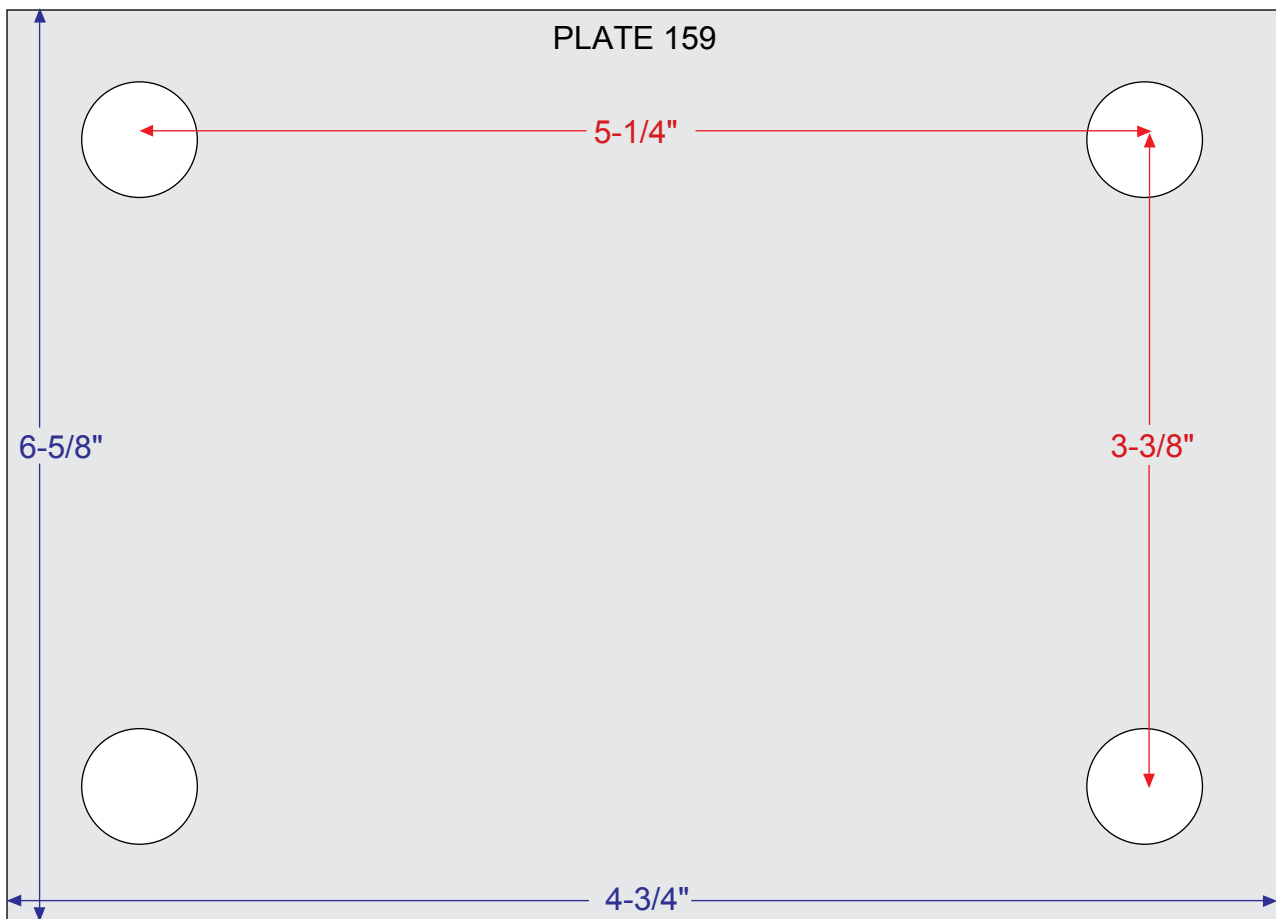
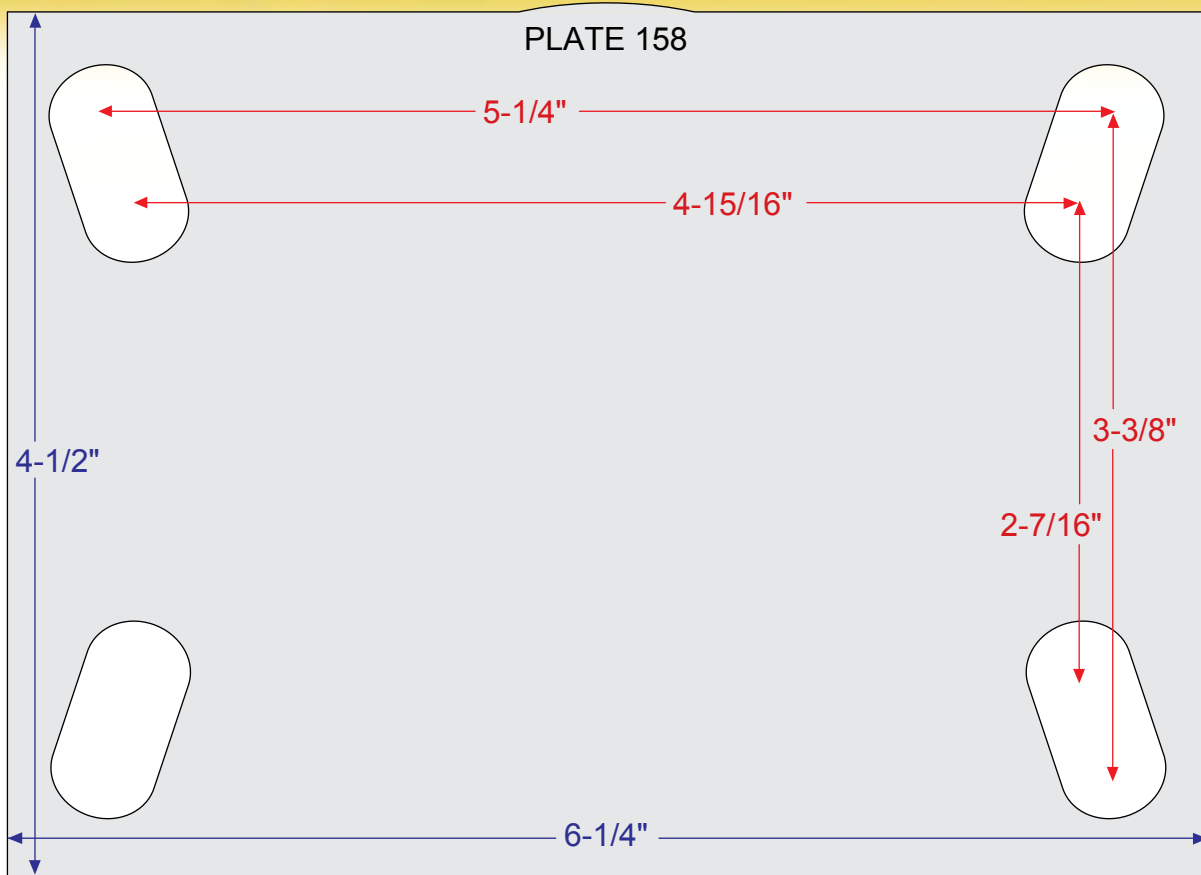
Fastenings



Fastenings



Fastenings



Fastenings

STEM FASTENING IDENTIFICATION GUIDE

Match fastening to corresponding illustration. Replacement grip ring stems can be slightly shorter than original stem and still be suitable. A rounded or squared stem head has no effect on fit. **All fastenings shown are actual size.**

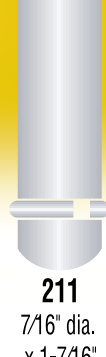


419
7/16" dia.
x 1-7/8"

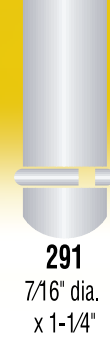
Plain Stem



242
7/16" dia.
x 1-7/8"



211
7/16" dia.
x 1-7/16"



291
7/16" dia.
x 1-1/4"



223
7/16" dia. x
7/8"



222
3/8" dia. x
1"

Grip Ring Stem



Threaded Stem



844
1/4" dia.
UNF20 x
1/2"

828
1/4" dia.
UNF20 x
5/8"

525
5/16" dia.
UNC18 x
1/2"

532
5/16" dia.
UNC18 x
3/4"

545
5/16" dia.
UNC18 x
7/8"

507
5/16" dia.
UNC18 x
1"

526
5/16" dia.
UNC18 x
1-1/4"

500
5/16" dia.
UNC18 x
1-1/2"

512
5/16" dia.
UNC18 x
2"

Fastenings



273
7/16" dia.
x 1-7/16"
brass band



204
7/16" dia. x 2"
brass band



302
5/16" dia.
x 1-1/2"

Grip Ring Brass Band Stem



Grip Neck Stem



Threaded Stem Continued



639
3/8" dia.
UNF24 x
5/8"

637
3/8" dia.
UNC16 x
3/4"

634
3/8" dia.
UNC16 x
1"

605
3/8" dia.
UNC16 x
1-1/2"

800
7/16" dia.
UNC14 x
1-1/2"

806
7/16" dia.
UNC14 x
2-1/4"

741
1/2" dia.
UNC13 x
1"

748
1/2" dia.
UNC13 x
1-1/2"

824
5/8" dia.
UNC11 x
1-3/4"

825
3/4" dia.
UNC10 x
1-1/2"

Fastenings

Fastening #	Type	Size	Bolt Hole	Page Numbers->													Fastening #		
				Regent	Eclipse	Omega	Genesis	RS/RT	Monarch	Baron	General Duty	Institutional Series	HDI Series	Z Series	00 Series	Low Profile/Medium Duty		XX/YY	BDS/BDR
500	Threaded	5/16"-18 x 1-1/2"																	500
507	Threaded	5/16"-18 x 1"																	507
512	Threaded	5/16"-18 x 2"																	512
525	Threaded	5/16"-18 x 1/2"																	525
526	Threaded	5/16"-18 x 1-1/4"																	526
532	Threaded	5/16"-18 x 3/4"																	532
545	Threaded	5/16"-18 x 7/8"																	545
605	Threaded	3/8"-16 x 1-1/2"																	605
634	Threaded	3/8"-16 x 1"																	634
637	Threaded	3/8"-16 x 3/4"																	637
639	Threaded	3/8"-24 x 5/8"																	639
741	Threaded	1/2"-13 x 1"																	741
748	Threaded	1/2"-13 x 1-1/2"																	748
800	Threaded	7/16"-14 x 1-1/2"																	800
806	Threaded	7/16"-14 x 2-1/4"																	806
824	Threaded	5/8"-11 x 1-3/4"																	824
825	Threaded	3/4"-10 x 1-1/2"																	825
828	Threaded	1/4"-20 x 5/8"																	828
844	Threaded	1/4"-20 x 1/2"																	844
419	Plain	7/16" x 1-7/8"																	419
211	Grip Ring	7/16" x 1-7/16"																	211
222	Grip Ring	3/8" x 1"																	222
223	Grip Ring	7/16" x 7/8"																	223
242	Grip Ring	7/16" x 1-7/8"																	242
291	Grip Ring	7/16" x 1-1/4"																	291
302	Grip Neck	5/16" x 1-1/2"																	302
204	Grip Band	7/16" x 2"																	204
273	Grip Band	7/16" x 1-7/16"																	273
101	Plate	1-1/2" x 1-1/2"	1" x 1"																101
108	Plate	1-3/4" x 2-5/8"	31/32" x 2-1/8"																108
112	Plate	1-7/8" x 2-9/16"	15/16" x 2-1/8"																112
113	Plate	1-3/16" x 2"	13/16" x 1-9/16"																113
115	Plate	2-3/4" x 3-7/8"	1-3/4" x 3"																115
116	Plate	2-3/16" x 2-9/16"	1-5/8" x 2"																116
119	Plate	3-1/8" x 4-1/8"	2-3/8" x 3-3/8" to 3-7/16"																119
120	Plate	2-5/8" x 3-3/4"	1-3/4" x 2-3/4" to 3"																120
121	Plate	4" x 5-1/8"	3" x 4"																121
122	Plate	1-1/2" x 2-11/16"	15/16" x 2-1/8"																122
123	Plate	2-1/8" x 4-3/8"	1-1/16" x 3-1/2"																123
124	Plate	2-5/16" x 4-7/8"	1-3/16" x 4"																124
125	Plate	3-1/16" x 6-1/8"	1-3/4" x 5"																125
134	Plate	1-1/4" x 2-3/8"	13/16" x 1-7/8"																134
138	Plate	2-1/2" x 3-5/8"	1-3/4" x 2-3/4" to 2-7/8"																138
140	Plate	1-3/4" x 3"	1" x 2-1/4"																140
142	Plate	2-1/2" x 3-5/8"	1-3/4" x 2-3/4"-3"																142
149	Plate	3-3/4" x 4-1/2"	2-5/8" to 3" x 3" to 3-5/8"																149
152	Plate	3-1/8" x 4-1/8"	2-3/8" x 3-3/8"																152
153	Plate	2-1/2" x 4-1/8"	1-15/16" x 3-3/8"																153
155	Plate	3-3/4" x 4-5/8"	2-5/8" to 3" x 3" to 3-5/8"																155
156	Plate	4" x 4-1/2"	2-5/8" to 3" x 3" to 3-5/8"																156
157	Plate	5" x 5-1/2"	4-1/8" x 4-1/2"																157
158	Plate	4-1/2" x 6-1/4"	2-7/16" to 3-3/8" x 4-15/16" to 5-1/4"																158
159	Plate	4-3/4" x 6-5/8"	3-3/8" x 5-1/4"																159
161	Plate	2-5/8" x 3-3/4"	1-3/4" x 2-5/8"-3-1/8"																161
162	Plate	3-1/8" x 4-1/8"	1-3/4" to 2-3/8" x 3" to 3-3/8"																162
440-455	Expanding Adapters																		440-455

Note: Other fastenings may be available on certain series, contact factory for minimum purchase

Fastenings

New Fastening #	Type	Size	Bolt Hole	Diamond	AS/AR	ES/ER	OS/OR	HS/HR	HA/HB	Pacer Series	Pilot Series	Source II	Pert Series	Prim	Ultima/SoftTech	Twin Lock	Ball Casters	New Fastening #
Page Numbers->				54-55	56-57	58	59	60	61	62-63	64-65	66-67	68-69	71	72-76	78	84-87	
500	Threaded	5/16"-18 x 1-1/2"																500
507	Threaded	5/16"-18 x 1"																507
512	Threaded	5/16"-18 x 2"																512
525	Threaded	5/16"-18 x 1/2"																525
526	Threaded	5/16"-18 x 1-1/4"																526
532	Threaded	5/16"-18 x 3/4"																532
545	Threaded	5/16"-18 x 7/8"																545
605	Threaded	3/8"-16 x 1-1/2"																605
634	Threaded	3/8"-16 x 1"																634
637	Threaded	3/8"-16 x 3/4"																637
639	Threaded	3/8"-24 x 5/8"																639
741	Threaded	1/2"-13 x 1"																741
748	Threaded	1/2"-13 x 1-1/2"																748
800	Threaded	7/16"-14 x 1-1/2"																800
806	Threaded	7/16"-14 x 2-1/4"																806
824	Threaded	5/8"-11 x 1-3/4"																824
825	Threaded	3/4"-10 x 1-1/2"																825
828	Threaded	1/4"-20 x 5/8"																828
844	Threaded	1/4"-20 x 1/2"																844
419	Plain	7/16" x 1-7/8"																419
211	Grip Ring	7/16" x 1-7/16"																211
222	Grip Ring	3/8" x 1"																222
223	Grip Ring	7/16" x 7/8"																223
242	Grip Ring	7/16" x 1-7/8"																242
291	Grip Ring	7/16" x 1-1/4"																291
302	Grip Neck	5/16" x 1-1/2"																302
204	Grip Band	7/16" x 2"																204
273	Grip Band	7/16" x 1-7/16"																273
101	Plate	1-1/2" x 1-1/2"	1" x 1"															101
108	Plate	1-3/4" x 2-5/8"	31/32" x 2-1/8"															108
112	Plate	1-7/8" x 2-9/16"	15/16" x 2-1/8"															112
113	Plate	1-3/16" x 2"	13/16" x 1-9/16"															113
115	Plate	2-3/4" x 3-7/8"	1-3/4" x 3"															115
116	Plate	2-3/16" x 2-9/16"	1-5/8" x 2"															116
119	Plate	3-1/8" x 4-1/8"	2-3/8" x 3-3/8" to 3-7/16"															119
120	Plate	2-5/8" x 3-3/4"	1-3/4" x 2-3/4" to 3"															120
121	Plate	4" x 5-1/8"	3" x 4"															121
122	Plate	1-1/2" x 2-11/16"	15/16" x 2-1/8"															122
123	Plate	2-1/8" x 4-3/8"	1-1/16" x 3-1/2"															123
124	Plate	2-5/16" x 4-7/8"	1-3/16" x 4"															124
125	Plate	3-1/16" x 6-1/8"	1-3/4" x 5"															125
134	Plate	1-1/4" x 2-3/8"	13/16" x 1-7/8"															134
138	Plate	2-1/2" x 3-5/8"	1-3/4" x 2-3/4" to 2-7/8"															138
140	Plate	1-3/4" x 3"	1" x 2-1/4"															140
142	Plate	2-1/2" x 3-5/8"	1-3/4" x 2-3/4"-3"															142
149	Plate	3-3/4" x 4-1/2"	2-5/8" to 3" x 3" to 3-5/8"															149
152	Plate	3-1/8" x 4-1/8"	2-3/8" x 3-3/8"															152
153	Plate	2-1/2" x 4-1/8"	1-15/16" x 3-3/8"															153
155	Plate	3-3/4" x 4-5/8"	2-5/8" to 3" x 3" to 3-5/8"															155
156	Plate	4" x 4-1/2"	2-5/8" to 3" x 3" to 3-5/8"															156
157	Plate	5" x 5-1/2"	4-1/8" x 4-1/2"															157
158	Plate	4-1/2" x 6-1/4"	2-7/16" to 3-3/8" x 4-15/16" to 5-1/4"															158
159	Plate	4-3/4" x 6-5/8"	3-3/8" x 5-1/4"															159
161	Plate	2-5/8" x 3-3/4"	1-3/4" x 2-5/8"-3-1/8"															161
162	Plate	3-1/8" x 4-1/8"	1-3/4" to 2-3/8" x 3" to 3-3/8"															162
440-455	Expanding Adapters																	440-455

Note: Other fastenings may be available on certain series, contact factory for minimum purchase

inspiration in motion



 **shepherd**
caster corporation

www.shepherdcasters.com